

Ignition Parts:
Distributor Caps
Distributor Rotors
Contact Sets
Condensors
Illustrated Product Guide



Ignition Parts

2010 | 2011



BOSCH

Invented for Life



From the very beginning, Bosch's history has been characterised by a drive for innovation and social commitment. Environmental and social responsibilities are core values at Bosch. Our slogan "Invented for life" conveys the ambitious standards we have set ourselves and the values that we have long stood for. "Invented for life" stands for reliable technology designed and built to last. At the same time it embodies innovations and technology that contribute to the conservation of resources, sustainable development, and helping people improve their quality of life.

The Robert Bosch Stiftung (Robert Bosch Foundation) was established in 1964 to keep alive the philanthropic and social endeavours of its founder Robert Bosch. Through its programs and institutes, the foundation has since issued 840 million euros in project funds. In 2007, it made available 58.9 million euros for non-profit projects. Education, international understanding, and public welfare are the top priorities stated in Robert Bosch's will and are the pillars of our work today.

Responsibility for the environment is a core value at Bosch and is firmly anchored in our principles for safety and environmental

protection. Our environmental focuses are on renewable energies, energy efficiency, and emissions reduction. At Bosch we believe we have an obligation to develop innovative and beneficial technology and in order to meet such demands, considerable amounts of money are spent each year on research and development. We employ more than 25,000 research and development associates worldwide, all working towards the creation of technology that is innovative, beneficial and environmentally friendly.

© COPYRIGHT 2010 – Robert Bosch (Australia) Pty Ltd

All rights reserved. No part of this publication may be reproduced or transmitted in any form or by any means, electronic or otherwise including, without limitation, photocopying or recording without permission in writing from the copyright owner. All details, illustrations and specifications contained in this publication are based on the latest information available at the time of printing. Whilst every precaution is taken to ensure the accuracy of the content, Robert Bosch (Australia) Pty Ltd accepts no responsibility for any errors or omissions.

Ignition Parts

Product Range

- A2** The Bosch Story
- A4** Ignition Distributor Systems - Breaker Triggered
- A5** Ignition Distributor Systems - Breakerless
- A6** Ignition Parts
- A8** New Parts
- A9** Australian Made Distributors and Other Parts
- A10** Interference Suppression
- A14** Contact Sets Installation
- A15** Distributor Cap and Rotor Installation
- A18** General Warranty Information

Application

- B1** How to Use This Catalogue
- B2** Vehicle Applications

Product Identification Images

- C2** Product Identification Images

Cross Reference

- D2** Cross Reference Guide

An explanation of the special cases in the applications section (section B) can be found on the inside back cover.

The Bosch Automotive Story



The Bosch Group is a leading global supplier of technology and services, with more than 300 subsidiaries and regional companies in over 50 countries.

The beginnings were humble. In 1898 Robert Bosch developed a magneto ignition device and adapted it to suit a vehicle engine. In doing this he developed the first reliable ignition system, solving one of the greatest technical problems faced by the automotive industry at that time. This key innovation was the first chapter in the success story of Bosch as an automotive supplier.

From 1902 Bosch developed a high voltage magneto ignition system incorporating spark plugs. While the magneto ignition has long since been replaced by battery ignition systems, Bosch today manufactures more than 300 million spark plugs per year, using the very latest precious metal technology.

As cars became a product for the masses, Bosch recognised the prospects for developing motor vehicle lighting. Research in this area resulted in the launch of the Bosch automotive lighting system, comprising of headlights, a generator, a regulator and a battery. This was a significant milestone for both Bosch and the industry, being the first all-in-one system available to consumers, and also the basis for components such as starters, horns, windshield wipers, indicators and car heating systems to be developed and added to the business.

From about 1920, the growth of diesel engines in trucks was a concern at Bosch, because diesel engines did not need an ignition system, the company's main sales driver. To capitalise on this technological advance, Bosch began developing diesel injection pumps and in 1936 launched the first diesel injection pump for passenger cars. Today, Bosch is the global leader in diesel technology, whether it be for passenger cars, trucks or injection systems for ships.

In the years that followed, Bosch made numerous developments with other automotive products. Gasoline injection systems were developed from

1935 and by 1967 had all but displaced the carburettor. Braking systems have also been part of the Bosch offering since 1927. The introduction of the Bosch ABS antilock braking system in 1978 was a significant development in vehicle safety, laying a foundation for the development of further systems, such as Traction Control and the Electronic Stability Program (ESP®).

In today's market, vehicle manufacturers and service organisations face the worldwide challenge of efficient service for highly evolved vehicle systems. This includes not only mastering the electronic systems in today's automobiles, but also utilising the latest state-of-the-art diagnostics technologies to improve servicing efficiencies. The growing range of Bosch diagnostic and service equipment delivers a sophisticated solution for today's workshops to meet these challenges.

Bosch spends billions of dollars annually in research and development to preserve its position as a technological leader. The company's technological competence is evident in the fact that Bosch is world leader in the number of automotive technology patent applications it submits each year. Every hour Bosch research teams create new patents to make Bosch products safer, more efficient and more environmentally friendly.

As one of the world's largest independent manufacturers of automotive parts and systems, Bosch products and technology, supplied through a global network of factories, can be found on virtually every make of car currently produced throughout the world. This strong link to original equipment development and innovation means Bosch is able to deliver a superior aftermarket offering to its customers.

With most vehicles on the road incorporating many Bosch manufactured components, it made sense for Bosch to support these products with local service centres. Bosch Authorised Service Dealers are a group of over 14,000 independent workshops worldwide, offering the latest technical expertise, tools and equipment to motorists.



In just over a hundred years, Bosch successfully transformed from a small automotive supplier into a modern, multinational group, which today has a workforce of more than 270,000 people worldwide.

Bosch employs over 2,300 associates in Australia and New Zealand with activities spanning three business sectors: Automotive Technology, Consumer Goods and Building Materials, and Industrial Technology.

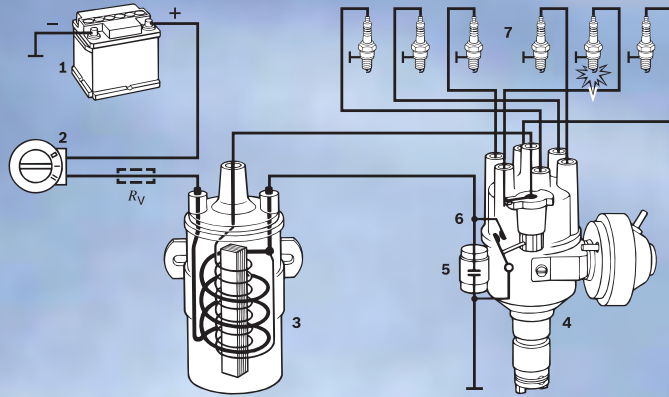
During the past five decades Bosch has grown into a major force in the Australian automotive industry. Today, Robert Bosch Australia is no longer a local company manufacturing automotive components only for Australian customers. It is truly an integrated member of the Bosch global network supplying overseas customers in Europe, Asia and America.

In the automotive industry the name Bosch is now synonymous with leading technology, sophisticated service solutions and high quality replacement parts.



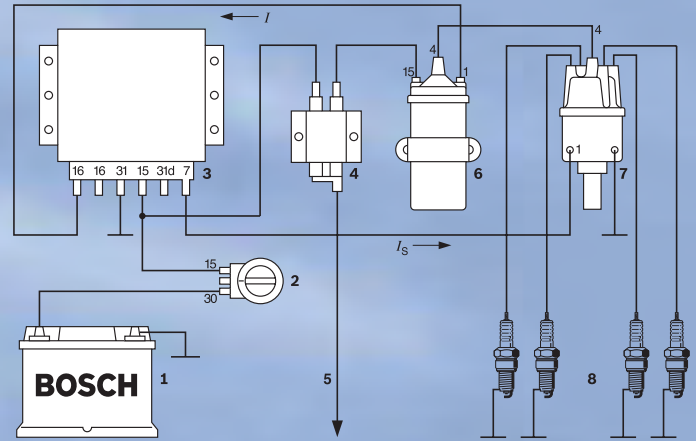
Ignition Distributor Systems

Breaker Triggered



Ignition system with conventional coil ignition (CI)

- 1 Battery, 2 Ignition and starting switch, 3 Ignition coil,
- 4 Ignition distributor, 5 Ignition capacitor,
- 6 Contact breaker, 7 Spark plugs,
- R_v ballast resistor for boosting the starting voltage (not always fitted)



Components and connection diagram of the TI-B

- 1 Battery, 2 Ignition and starting switch,
- 3 Ignition trigger box, 4 Ballast resistors,
- 5 Cable connection to the starter, 6 Ignition coil,
- 7 Ignition distributor 8 Spark plugs,
- I Primary current, I_s Control current

Conventional coil ignition CI

The conventional coil-ignition is breaker-triggered. This means that the current flowing through the ignition coil is switched on and off mechanically via a contact in the ignition distributor (contact breaker).

The breaker-triggered coil-ignition system is the simplest version of an ignition system in which all functions are implemented. In addition to the ignition distributor, there are a whole number of other components, as shown in the table together with their functions.

Breaker-triggered transistorised ignition TI-B

The ignition distributor of the breaker-triggered transistorised ignition system (TB-B) is identical to the ignition distributor of the breaker-triggered coil ignition system (CI). However, the contact breaker no longer needs to switch the primary current but only the control current for the transistorised ignition system. The transistorised ignition system itself plays the role of a current amplifier and switches the primary current via an ignition transistor (generally a Darlington transistor). In order to facilitate understanding, the wiring of the contact and the function of a simple TI-B are compared below to a breaker-triggered coil-ignition system.

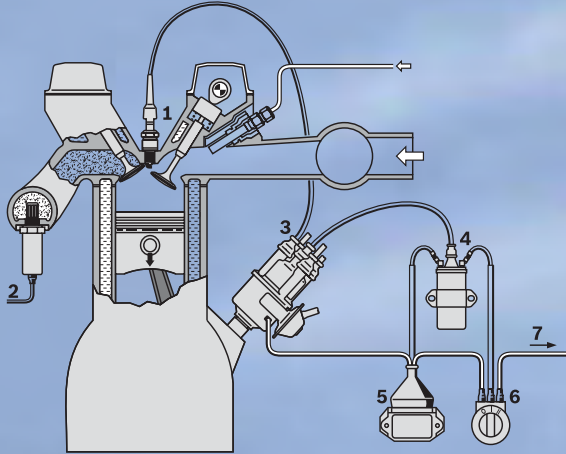
Components of the conventional ignition system

A coil-ignition system is composed of various components and subassemblies, the actual design and construction of which depend mainly on the engine with which the system is to be used.

Component	Function
Ignition coil	Stores the ignition energy and delivers it in the form of a high voltage surge through the HT ignition cable to the distributor.
Ignition and starting switch	A switch in the primary circuit of the coil, manually operated with the ignition key.
Ballast resistor	This is shorted during starting for starting voltage purposes.
Contact breaker	Opens and closes the primary circuit of the ignition coil for the purposes of energy storage and voltage conversion.
Ignition condenser / capacitor	Provides for low-loss interruption of the primary current and suppresses most of the arcing between the contact points.
Ignition distributor	At the instant of ignition, distributes the firing voltage to the spark plugs in a pre-set sequence.
Centrifugal advance mechanism	Automatically shifts the ignition timing depending on the engine speed.
Vacuum advance mechanism	Automatically shifts the ignition timing depending on the engine load.
Spark plug	Contains the electrodes which are the most important parts required to generate the ignition spark and seals off the combustion chamber.

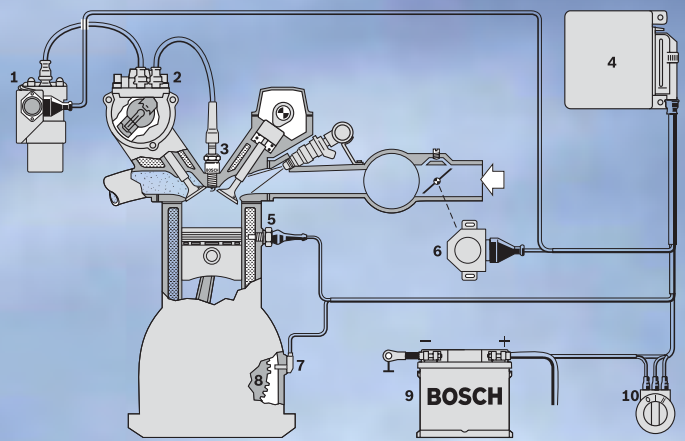
Ignition Distributor Systems

Breakerless



System with breakerless transistorised ignition (TI)

- 1 Spark plugs, 2 Lambda sensor,
- 3 Ignition distributor with centrifugal advance mechanism, vacuum timing control and induction-type pulse generator or Hall generator (alternative), 4 Ignition coil,
- 5 ECU (trigger box), 6 Ignition and starting switch,
- 7 To the battery



Semiconductor ignition system (SI)

- 1 Ignition coil with attached ignition output stage,
- 2 High tension distributor, 3 Spark plugs, 4 ECU,
- 5 Engine temperature sensor and reference-mark sensor,
- 6 Throttle valve switch,
- 7 Rotational-speed sensor and reference mark sensor,
- 8 Ring gear, 9 Battery, 10 Ignition and starting switch

Transistorised ignition with the Hall generator TI-H

In addition to the breaker-triggered transistorised ignition system (TI-B), there are two other versions of transistorised ignition with the Hall triggering system (TI-H).

On one version the dwell angle is determined by the shape of the rotor in the ignition distributor. The other version contains a control unit incorporating hybrid circuitry and which automatically regulates the dwell angle. An additional current limiter with a highly efficient ignition coil make this version a particularly high-performance ignition system.

Transistorised ignition with induction-type pulse generator TI-I

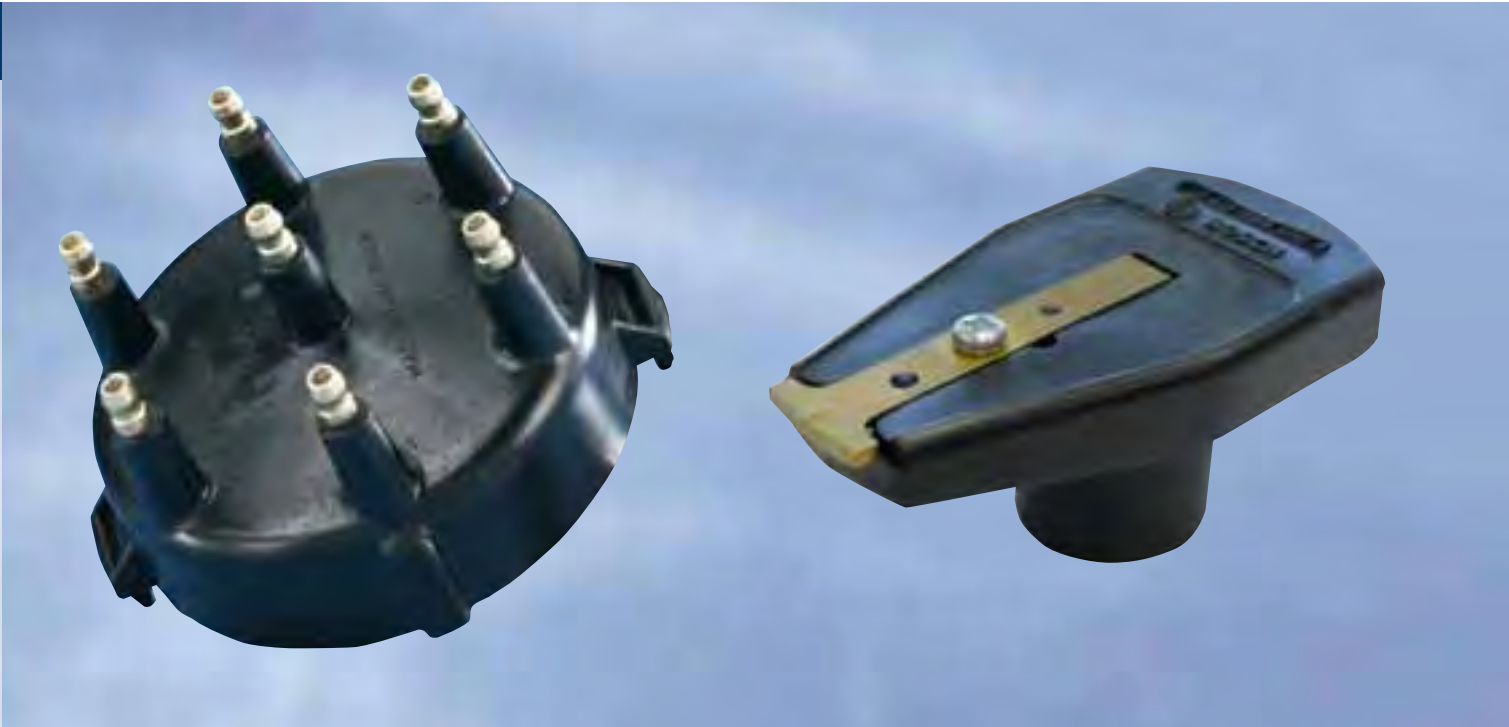
The transistorised ignition system with induction-type pulse generator (TI-I) is a high-performance ignition system like the Hall-generator ignition system and there are only slight differences between the two systems. When compared with the TI-H, the TI-I has a greater phase displacement between the actual point and the off-edge of the pulse-generator voltage at high engine speeds. This is attributable to the induction-type pulse generator in the TI-I which represents an electrical AC generator and has an additional phase displacement owing to the load of the control unit. In certain cases, this effect is even desirable in order to correct the characteristic curves to prevent knocking. Owing to the symmetrical pulse-generator construction, the TI-H which is arranged asymmetrically with respect to the axis of rotation.

Semiconductor ignition SI

On transistorised ignition systems, the conventional ignition distributor with centrifugal advance and vacuum advance mechanisms is capable of implementing only very simple advance characteristic curves. This means they can only approximately meet the demands imposed by optimum engine operation.

On the semiconductor ignition system (SI), there is no mechanical spark-advance system in the distributor. Instead, a pulse-generator signal, in the form of an engine-speed signal, is used to trigger the ignition. An additional pressure sensor supplies the load signals. The microcomputer computes the required ignition-point adjustment and modifies the output signal issued to the trigger box accordingly.

Ignition Parts

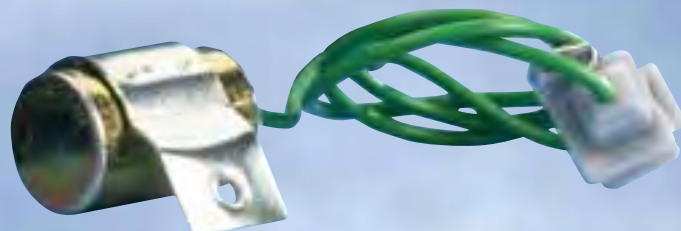


Distributor Caps

Inside the distributor cap there are up to 30,000 volts between the live parts. The spark discharge between the distributor rotor and the HT lead contacts generate heat and a high proportion of aggressive nitrogen oxides. Extreme demands are therefore made of the chemical resistance and tracking resistance of the distributor cap. Many Bosch distributor caps are made of glass fiber reinforced polyester with an additional special surface seal.

Distributor Rotors

Just like distributor caps, distributors rotors must have high tracking resistance. They are therefore made of the same material as distributor caps. There are two main types of distributor rotors with and without engine speed limitation. In the case of distributor rotors with engine speed limitation the ignition voltage is short circuited depending on the speed by means of centrifugal force providing reliable protection against over revving the engine.



Ignition Contact Sets

Ignition contact sets are subjected to heavy loading. By the time they are changed they have often performed over 100 million switching cycles. Only top quality components can withstand such loading. The rubbing block is also heavily stressed. For optimum performance, the rubbing block is made of polyimide. It is wear resistant, temperature resistant and has optimum electrical properties.

Ignition Condensers

Ignition condensers prevent premature burn off of the breaker points (ignition contact set) as a result of sparking when the points open. Breaker-triggered coil ignition systems cannot function correctly without an ignition condenser. Therefore always use Bosch ignition condensers; tried and tested quality.

New Parts



Part No.	Description	Application
GA105	Dist. Cap	Acco C Line International V8
GA106	Rotor	Acco C Line International V8
GA200	Dist. Cap	Accel Aftermarket Distributor
GA201	Dist. Cap	Accel Aftermarket Distributor
GA202	Rotor	Accel Aftermarket Distributor
GB774	Contact set	Porsche 911
GB784	Contact set	BMW 3 Series E21, 5 Series E12
GB845	Dist. Cap	Porsche 928S
GB876	Dist. Cap	Porsche 911
GB886	Dist. Cap	Lancia Beta
GB919	Rotor	BMW 323i E21
GB925	Rotor	Mercedes-Benz SL600, 600SEL
GB949	Rotor	Porsche 911 Turbo
GB966	Dist. Cap	Audi V8 Quattro
GD45	Contact Set	Chevrolet V8
GD87	Contact Set	FX Holden
GD640	Dist. Cap	Industrial Forklift Cap
GD650	Dist. Cap	Chevrolet V8
GD651	Rotor	Chevrolet V8
GD652	Condensor	Chevrolet V8
GD721	Dist. Cap	Citroen GS
GD820	Dist. Cap	Daihatsu HiJet S85
GD911	Dist. Cap	Toyota Supra MA61
GD912	Dist. Cap	Toyota Cressida MX73
GD913	Rotor	Toyota Landcruiser FZJ80
GD914	Dist. Cap	Toyota Hilux RN85
GD915	Dist. Cap	Toyota Corolla AE92 4AGE
GD916	Dist. Cap	Daihatsu Feroza F300
GD917	Dist. Cap	Toyota Corolla AE95
GD918	Dist. Cap	Holden Rodeo TF 4ZD1
GD919	Dist. Cap	Toyota Landcruiser FJ80 3FE
GD920	Dist. Cap	Toyota Celica ST185R GT4 Turbo Toyota MR2 SW20 3S-GE
GD921	Dist. Cap	Toyota Celica ST185R GT4 Toyota Celica ST205R GT4 Toyota MR2 SW20 3S-GE
GD922	Dist. Cap	Daihatsu Charade HC-E G200
GD923	Rotor	Daihatsu Charade HC-E G200
GD925	Dist. Cap	Daihatsu HiJet S75, S76
GD926	Dist. Cap	Daihatsu Mira L201
GD927	Dist. Cap	Daihatsu Centro / Mira L200 / Move L601
GD928	Rotor	Daihatsu Mira L201
GD929	Rotor	Toyota Celica ST184
GD931	Dist. Cap	Mazda 929 HC10E2 DOHC 24V
GD932	Rotor	Mazda 929 HC10E2 DOHC 24V
GD933	Dist. Cap	Holden Piazza
GD936	Dist. Cap	Suzuki Alto SH410
GD937	Rotor	Daihatsu Move L601 Daihatsu Mira 660 Centro / L200 Daihatsu Move 850 L601
GL965	Dist. Cap	Holden Barina SB (Lucas ignition)

Part No.	Description	Application
GL966	Dist. Cap	Landrover Freelander
GL839	Dist. Cap	Jaguar XJ6 Series 3
GM250	Condensor	Mallory Aftermarket Distributor
GM251	Dist. Cap	Mallory Aftermarket Distributor
GM252	Rotor	Mallory Aftermarket Distributor
GM253	Rotor	Mallory Aftermarket Distributor
GM254	Contact set	Mallory Aftermarket Distributor
GM727	Rotor	FIAT 128
GM729	Dist. Cap	FIAT 128
GM825	Dist. Cap	Nissan Navara D21 KA24E (Mitsubishi distr)
GM847	Dist. Cap	Ford Capri SB-SE Non Turbo
GM848	Dist. Cap	Mitsubishi Lancer CB 4G15B
GM849	Rotor	Mitsubishi Lancer CB 4G15B
GM850	Dist. Cap	Mitsubishi Galant HJ 4G63
GM851	Dist. Cap	Nissan Pulsar N14 SR20DE (Mitsubishi distr)
GM852	Rotor	Nissan Pulsar N14 SR20DE (Mitsubishi distr)
GM853	Dist. Cap	Nissan Patrol GQII TB45E
GM854	Rotor	Nissan Patrol GQII TB45E
GM855	Dist. Cap	Mitsubishi Triton MK 4G64 Mitsubishi WA / SJ Express 4G64
GM856	Dist. Cap Spacer	Ford Falcon EB-EL V8 F150, F250, F350 V8
GM857	Dist. Cap	Jeep Cherokee Chief 82-85
GM858	Rotor	Jeep Cherokee Chief 82-85
GM859	Rotor	Mitsubishi Nimbus UF 4G64 Mitsubishi L300 4G63
GM860	Rotor	Mitsubishi Nimbus UF 4G64
GM861	Rotor	Mazda MPV 3.0L JE V6 18V
GH808	Rotor	Nissan Navara D21 KA24E
GH814	Dist. Cap	Honda Integra
GH815	Rotor	Honda Integra
GH816	Dist. Cap	Honda Prelude
GH817	Rotor	Honda Accord CB7
GH818	Dist. Cap	Nissan Gazelle
GH820	Rotor	Nissan Navara D21

Extinct Bosch Part numbers now available again!

GA103	Dist. Cap	Chrysler Valiant R / S Series Slant Six
GB504	Contact Set	Holden EH - HK (Red Motor), VW
GB875	Rotor	Alfasud, Alfa Sprint, Porsche 911
GD840	Dist. Cap	Toyota Hiace RZH103/113 2RZ
GD842	Rotor	Toyota Celica ST184 5SFE

Australian Made Distributors and Other Parts



Bosch locally manufacture two Ford ignition distributor assemblies:

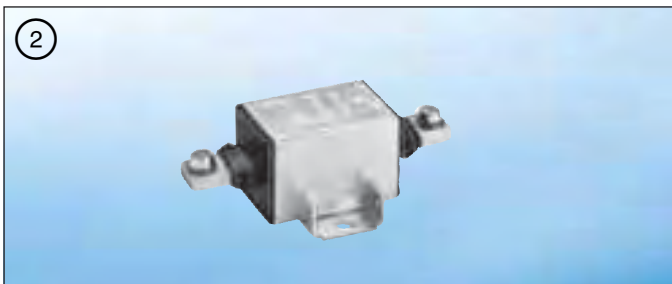
- F005D00002** Falcon EA, EB, ED, EL, XG M.P.F.I.
3.9L, 4.0L
- 9230065606** Falcon EA / EB C.F.I. (Throttle body)
3.9L

The following spare parts are also available for these two ignition distributor assemblies:

- 9233067065** Hall Sensor kit (including base and vane rotor) for p/n F005D00002
- 9233067066** Hall Sensor kit (including base and vane rotor) for p/n 9230065606
- F005D10001** Hall Sensor (10 pack - hall sensor only)
- BIM 032** Ignition Module - relevant for both distributors

NOTE: For European made Bosch distributors, please consult Bosch ESI[tronic] information software for a full parts listing.

Interference Suppression Filters



For screened ignition coils and highest interference-suppression quality

Fig.	Max. load A/V	Capacitance μF	Resistance $\text{m}\Omega$	Design	Type of connection	Fastening mm	Part number
1	100/42	4.4	150	Steel housing with mounting piece	2 threaded clamping devices M 5 Cable cross-section max. 10 mm ²	2x \varnothing 6.4	0 290 003 030 *
2	200/42	9.4	40	Steel housing with mounting piece	2 threaded clamping devices M 6 Cable cross-section max. 25 mm ²	2x \varnothing 6.4	0 290 003 031 *

* **Special accessories** (order separately)

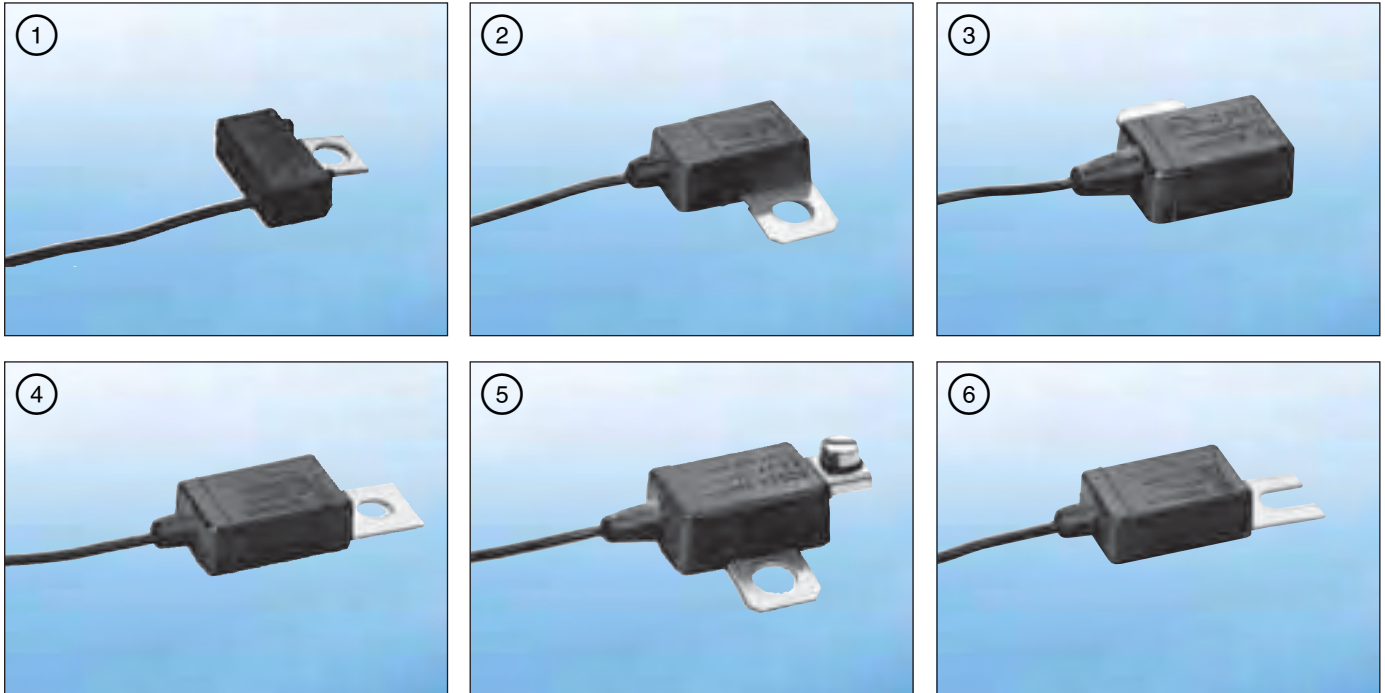
For interference-suppression filter 0 290 003 030

Screening cover	1 290 365 002
Parts set	1 297 010 001
Protective cap	1 280 703 022

For interference-suppression filter 0 290 003 031

Parts set	1 297 010 001
Protective cap	1 280 703 024

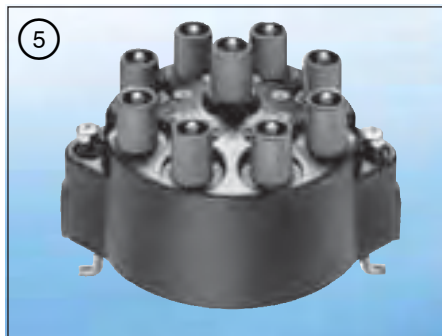
Interference Suppression Capacitors for Ignition Coils



Two-pole capacitors (Parallel capacitors)

Capacitance μF	Type of connection	Fastening		Length of cable mm	Fig.	Part number		
		mm	mm					
0.47	Cable lug	\varnothing 6.5	\varnothing 6.4	140	1	0 290 800 008		
2.2	Cable lug	\varnothing 5.3	\varnothing 8.4	120	2	0 290 800 002		
				75	2	0 290 800 014		
					3	0 290 800 012		
					110	2	0 290 800 053	
					120	2	0 290 800 006	
					5	0 290 800 058		
				\varnothing 8.4	\varnothing 6.4	130	3	0 290 800 021
						100	2	0 290 800 044
						200	3	0 290 800 020
						1 cable lug	\varnothing 6.5	\varnothing 8.4
1 screw	M 5							
Blade receptacle	6.3x1	\varnothing 6.4 with slot	150	6	0 290 800 022			
Angled blade receptacle	6.3x0.8	\varnothing 6.4	40	2	0 290 800 036			
			80	2	0 290 800 052			
4.7	cable lug	\varnothing 6.5	\varnothing 5.2 with slot	120	4	0 290 800 062		

Screening Covers



For fitting on distributor cap, distributor housing, or multi-spark ignition coil.

Note: Additional use is to be made of distributor suppressors.

Number of cylinders	Application	Version	Fig.	Part number
4	Alfa Romeo, Audi, BMW, Claas, Faun, Ford, Mercedes-Benz, Opel, Porsche, SAAB-Scania, Volvo, Volkswagen with distributor cap GB739, GB799, GB883 and plug-in units for interference-suppression filter 0 290 002 033	Conductive plastic	1	0 290 004 019
	BMW	Conductive plastic Ground strap 110 mm	2	0 290 004 028
6	BMW 320, 323i	Conductive plastic	3	0 290 004 027

Screening cover attached permanently to the distributor cap

6	Mercedes-Benz (Distributor cap spigot Ø 80 mm)	Conductive plastic	4	GB976 GB978 ¹⁾
8	Mercedes-Benz (Distributor cap spigot Ø 90 mm)	Conductive plastic	5	GB777 GB843 ¹⁾

¹⁾ Modified dome geometry

Protective Caps, Distributor Caps



- 1 Protective caps**
To guard against dirt and moisture.
For straight, partially screened spark-plug connectors 0 356 301 ..., ignition coils, ignition distributors.
For H.T. ignition cable Ø 7 mm
Material: Silicone rubber
Temperature-resistant: -60°C to 200°C
1 230 522 018

As 1 230 522 018 except for..
Material: PVC
Advantages: Weatherproof, elastic, mineral-oil resistant
Temperature-resistant: -10°C to 80°C
1 230 522 007



- 2 Protective cap**
To guard against dirt and moisture.
For straight, partially screened spark-plug connectors 0 356 301 ..., ignition coils, ignition distributors.
For H.T. ignition cable Ø 7 mm
Material: Neoprene
Advantages: Fire-retardant, corrosion-resistant
Temperature-resistant: -25°C to 130°C
1 350 558 015



- 3 Distributor caps**
Instead of existing distributor caps GB739, GB799, GB793, GB964, GB993.
Design: Metal-covered plastic.
Connections: Receptacles DIN 72 535, ignition distributor spigot Ø 65 mm
No. of cylinders: 4
1 235 522 285



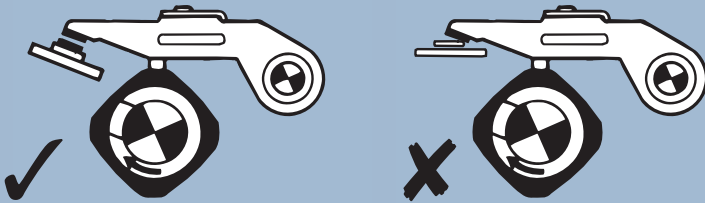
Contact Sets Installation



IMPORTANT

When replacing distributor contact points, the following steps should be observed.

Step 1

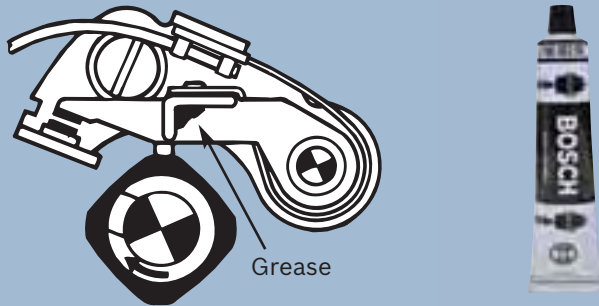


Check and align contact points.
NEVER BEND MOVING CONTACT ARM.

Contact Set Installation

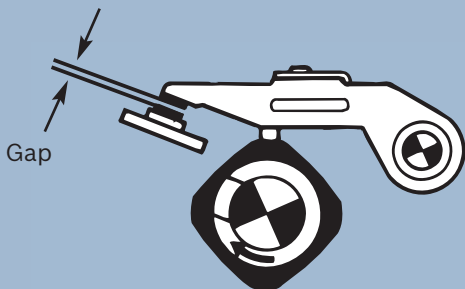
Take care when removing the old contact set so the retaining screw does not drop down into the distributor body/advance mechanism. Before installing the new contact set, ensure the contacts are correctly aligned.

Step 2



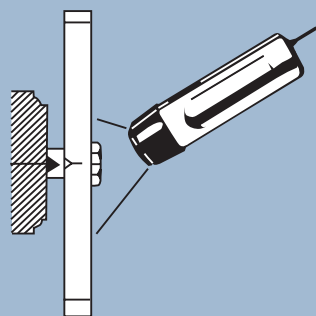
Place a small amount of high melt point grease (**Bosch part # 5 700 002 005**) on the contact rubbing block.

Step 3



Once the contact set is installed correctly on to the base plate, rotate the crankshaft until the rubbing block is positioned at the highest point of the distributor cam. Adjust point gap to manufacturers' specification.

Step 4



Check ignition dwell value, general specifications are:

4 cyl = 50° - 55°

6 cyl = 36° - 40°

8 cyl = 26° - 30°

Adjust gap as necessary to provide correct dwell value, more gap = less dwell, less gap = more dwell.

NOTE: Correct dwell value is essential for ignition system performance. Too much will overheat the coil and possibly reduce spark time; too little will reduce spark energy causing hard starting and possible misfire. Remember, dwell adjustment effects ignition timing, always recheck as per paragraph "Ignition Timing" (refer page A16).

Distributor Cap and Rotor Installation



Fig. 1



Fig. 3

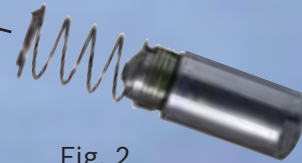


Fig. 2

Ignition Systems - Maintenance Fundamentals

Modern ignition systems are essentially maintenance free, using fewer components with virtually no mechanically operated parts. As ignition systems have evolved over the last few decades, some of the basic fundamentals of ignition system maintenance have been lost. There are still a significant number of vehicles on our roads that are fitted with breaker triggered (contact points) Kettering style ignition systems as well as high energy ignition (HEI) systems that dominated the market through the 1980's and 90's.

Whilst this catalogue is not an engine tuning manual, we have included some maintenance tips that may be of use when working on some of the older 'traditional' ignition systems. The key with most ignition system maintenance and engine tuning is attention to detail and covering the basic fundamentals. Always ensure the engine is in good mechanical condition and the battery is fully charged before carrying out any tuning.

Distributor Cap Inspection

Check distributor cap externally for damage to mounting flanges, attachments and vents. Once cap is removed from the distributor, inspect internally for cracks, pitting in surfaces, tracking between terminals and carbon build up (refer fig. 1). Remove any excess carbon build up from terminal posts, if excessively pitted or damaged, replace cap. Check integrity of central carbon brush, if damaged replace cap (some units can be replaced with individual carbon brush **Bosch part # 1 234 321 000** - refer fig. 2).

Distributor Rotor Inspection

Ensure rotor fits securely and snugly on the distributor shaft, if insecure, check for correct application and replace. Remove the rotor, inspect internally for signs of arcing (presence of redish-brown powder) or damage to the contact arm. If either symptom is present, replace the rotor. If an RPM limiting rotor is used, ensure the mechanism is not seized (refer fig. 3).

Distributor Cap and Rotor Installation



Ignition Timing

Correct ignition timing is critical to provide maximum engine power and economy, whilst protecting the engine from dangerous combustion defects including pre-ignition. The points below discuss the 3 major elements to the conventional mechanical advance distributor. Remember, a vehicle equipped with electronic ignition may still have mechanical and vacuum advance systems. It is often these vehicles that have in-service problems as the distributor is not regularly inspected due to lack of contact set.

Base Ignition Timing

Once ignition points are replaced, or as routine tuning practice, the base timing setting should be checked and adjusted following the vehicle manufacturers' specifications. Overall ignition advance curve should also be checked to ensure correct distributor function.

Mechanical Advance Mechanism

The centrifugal advance mechanism alters ignition timing in relation to engine speed. This advance system will typically engage at 1000 – 1200 rpm and increase advance gradually up to a peak RPM. Simply by using the timing light and increasing engine speed (with vacuum disconnected) the operation of the centrifugal advance can be measured. Actual advance settings and values should be checked according to each individual vehicle as they can vary significantly. The mechanism can suffer from various faults due to age and lack of maintenance, including:

- ▶ Seizure and binding due to lack of lubrication = no/slow advance, poor performance.
- ▶ Loss of spring tension = over advance, possible detonation.

Vacuum Advance Mechanism

The vacuum advance mechanism alters ignition timing in relation to engine load. The vacuum actuator attached to the side of the distributor is connected to the inlet manifold vacuum, this actuator moves the distributor base plate to alter ignition advance. Simple mechanical inspection will generally show the most common faults, check the following.

- ▶ Inspect the actuator arm and ensure it is securely attached to the base plate with its retainer.
- ▶ Using a piece of vacuum hose, draw a vacuum on the actuator. Check actuator movement of the base plate and that the diaphragm holds a vacuum. Also check that the base plate moves freely.

Remember that a leaking vacuum actuator not only stops vacuum advance function but is also a manifold air leak causing lean mixture.

Distributor Inspection and Lubrication

Apart from the individual component replacement as described, general inspection and lubrication of the distributor is also important for correct operation.

As a guide, regular inspections should include:

- ▶ Check for excessive free play in distributor shaft bushes, this will create excessive dwell variations at speed and can also damage the pulse generator of multi-tooth HEI systems.
- ▶ Ensure that the reluctor wheel on HEI systems is secure on the distributor shaft; the roll pin must be intact.
- ▶ Check that the lubricating wick in the distributor shaft under the rotor is intact and should be moistened with clean engine oil. This wick is responsible for keeping the base plate and centrifugal advance lubricated.

Air Leaks

Whilst not directly related to ignition function, it is always a good practice to check for simple air leaks on older carburettored vehicles. Particular to older non cross-flow cylinder head vehicles, it is always worthwhile to check the tightness of the manifold studs and also the carburettor base. Due to expansion and contraction, it is not abnormal for the manifold nuts to loosen and allow air to leak, causing various idle and performance problems.

Distributor Rotor Installation Instructions

On the applications listed below the original equipment (OE) rotor is glued on to the distributor shaft:

Manufacturer	Model	Engine	Year	Rotor part number
Audi	Cabriolet (8G7, B4)	ABK 2.0L	1993-98	GB899
Audi	80 Quattro (8C2, B4)	ABK 2.0L	1991-94	GB899
Porsche	944 Turbo	M44.51 2.5L	1986-89	GB854
Porsche	944 Turbo	M44.52 2.5L	1989-91	GB854
SAAB	900 16V	B202I 2.0L	1987-92	GB929
SAAB	900 EMS	B212I 2.1L	1991-92	GB929
SAAB	900 Turbo 16V	B202L 2.0L	1986-91	GB929
SAAB	900 Aero Turbo	B202L 2.0L	1985-92	GB929
SAAB	9000 16V	B202I 2.0L	1987-90	GB929
SAAB	9000 Turbo	B202L 2.0L	1986-91	GB929
Volkswagen	Golf GTi 8V Mk II	RV 1.8L	1990-92	GB899

NOTE: The procedure below must be followed when installing the new Bosch rotor. Failure to follow these instructions could result in improper operation of the ignition system and damage the distributor cap and rotor.

Installation Procedure:

1. Remove the old rotor using the vehicle manufacturer's recommendation.
2. Clean the outside of the distributor shaft using Loctite® 7070 ODC-Free Cleaner and Degreaser.
3. Clean inside the new rotor using Loctite® 7070 ODC-Free Cleaner and Degreaser.
4. Apply Loctite® 64041 Retaining Compound.
5. Push rotor down on shaft.
6. Allow to dry at room temperature for at least four hours.

Loctite® is a registered trademark of the Loctite Corporation

Robert Bosch Australia General Warranty Information



Introduction

All products manufactured and/or sold by Bosch Australia carry a statutory and voluntary warranty. Consumer's rights to such warranty are limited to failures and defects caused by a material or manufacturing fault within the specified warranty period.

This warranty information describes very broadly the general procedure for the settlement of warranty claims. Detailed information relating to the most commonly submitted non-warranty cases should also be reviewed prior to any warranty submission. Only genuine warranty cases are accepted.

What is a Warranty Case?

A warranty case exists when a Bosch product or spare part fails within the specified warranty period as a result of a manufacturing or material fault.

What are Non-warranty Cases?

A warranty case does not exist if the fault is caused by a violation of the operating, maintenance or installation instructions, inappropriate or improper use, incorrect handling or unauthorised repairs and modifications performed by third parties. Other examples of non-warranty cases are failures caused by foreign contamination and water entry.

Natural Wear and Tear

Damage caused by natural wear and tear does not constitute a warranty case even if it occurs within the warranty period.

Wrong Deliveries and Transit Damage

Wrong deliveries, incorrect or damaged packing and transit damage claims are not warranty cases and will not be processed as a warranty claim. Such cases should be directed to Bosch Customer Service on 1300 30 70 40.

Warranty Responsibility and Evaluation

All warranty claims are to be resolved in the most economical and efficient way, either by repair or replacement. In the case of Bosch Ignition Parts, these must be sent to a Bosch Authorised Service Dealer for warranty evaluation and/or repair.

For details of your nearest Bosch Authorised Service Dealer please call our hotline on 1300 060 060 or visit www.bosch.com.au

Initiating a Claim

If a Bosch product fails within the specified warranty period as a result of a manufacturing or material fault, consumers should:

- ▶ Stop using the goods
- ▶ Let the seller know as soon as possible
- ▶ Look after the goods until they are returned
- ▶ Return the goods, including proof of purchase (while there are no time limits, this should be done as soon as possible).

Packaging

Goods do not have to be returned with the original packaging to obtain a refund.

Warranty Periods and Proof of Purchase

The warranty period begins from the date of sale to the customer (generally the consumer). The warranty period is not renewed nor extended as a result of a warranty repair or with the supply of a replacement part. The seller is entitled to ask for proof of purchase when goods are claimed under warranty and consumers are obligated to provide proof of purchase when claiming goods under warranty. Proof of purchase will generally indicate if the purchased product is covered under warranty.

All Bosch Ignition Parts are covered by a 12 month warranty period within Australia and New Zealand.

Deadlines for Submitting Warranty Claims

Bosch Australia aims to rectify genuine quality problems as a priority. This is generally achieved by investigating why defective products have failed and by introducing immediate corrective action measures to prevent re-occurring warranty failures. It is therefore critical that all warranty cases are promptly reported to Bosch Australia. Bosch reserves the right to request the prompt return of all defective parts.

Product Liability and Product Safety

Bosch Australia should be informed immediately about potential product safety concerns within and outside the warranty period. Bosch Australia is well aware of its product liability and product safety obligations and responsibilities. It is our aim to ensure appropriate product safety standards are met in order to avoid injury, loss and damage caused by defects in Bosch products.

Vehicle Application Listing

	4	5	6	7	8	9	10	11
B34 FORD								
1	FORD	10.74-05.77	R,J	4	2.0	Distributor rotor	10.74-06.76 07.76-05.77	GA77 GB782
						Contact set	10.74-06.76 07.76-05.77	GA83V GB534
						Condensor	10.74-06.76 07.76-05.77	GA61 GB809
3	TE	06.77-10.80	E,G	6	3.3	Distributor cap		GB539
						Distributor rotor		GB787
						Contact set		GB534
						Condensor		GB530
				4.1		Distributor cap		GB539
						Distributor rotor		GB787
						Contact set		GB534
						Condensor		GB530
			R,J	4	2.0	Distributor cap		GB739
						Distributor rotor		GB782
						Contact set		GB534
						Condensor		GB809
	TF	11.80-10.82	J	4	2.0	Distributor cap		GB739
						Distributor rotor		GB782
						Contact set		GB534
						Condensor		GB809
				6	3.3	Distributor cap		GB834
						Distributor rotor		GB786
				6	4.1	Distributor cap		GB834
						Distributor rotor		GB786
2	Courier							
		01.79-02.82	VC	4	1.8	Distributor cap		GM347
						Distributor rotor		GM533
						Contact set		GM543
						Condensor		GM544
		02.82-03.85	VC	4	1.8	Distributor cap		GM347
						Distributor rotor		GM533
						Contact set		GM543
						Condensor		GM544
		09.82-08.85	MA	4	2.0	Distributor cap		GM347
						Distributor rotor		GM533
						Contact set		GM543
						Condensor		GM544
		01.85-11.89	FE	4	2.0	Distributor cap		GM557
						Distributor rotor		GM838
		09.85-08.88	FE	4	2.0	Distributor cap		GM557
						Distributor rotor		GM838
		09.86-08.90	AM	4	2.6	Distributor cap		GM557
						Distributor rotor		GM533
		12.86-11.89	F	4	2.6	Distributor cap		GM557
						Distributor rotor		GM533
		09.88-08.93	F2	4	2.2	Distributor cap		GM561
						Distributor rotor		GM562
		11.89-02.95	FE	4	2.0	Distributor cap		GM557
						Distributor rotor		GM838
	PC	09.90-02.96	G6	4	2.6	Distributor cap		GM575
						Distributor rotor		GM576
		03.96-05.99	G6	4	2.6	Distributor cap		GM575
						Distributor rotor		GM576
	PD	03.96-11.99	G6	4	2.6	Distributor cap		GM575
						Distributor rotor		GM576
		05.96-01.99	G6	4	2.6	Distributor cap		GM575
						Distributor rotor		GM576
	PE	02.99-10.02	G6	4	2.6	Distributor cap		GM575
						Distributor rotor		GM576
	PG	11.02-08.04	G6	4	2.6	Distributor cap		GM575
						Distributor rotor		GM576

- 1 Vehicle manufacturer
- 2 Vehicle model
- 3 Model series
- 4 Vehicle production date
- 5 Engine type code
- 6 Engine (number of cylinders)
- 7 Engine capacity (litres)
- 8 Product description (up to five different products per vehicle):
Distributor cap
Distributor cap spacer
Distributor rotor
Contact set
Condensor
- 9 Product specific fitment date
- 10 Bosch part number
- 11 Special case (refer to detailed list inside back cover for explanation)

This catalogue contains data from the vehicles, engines and equipment for the Australian market from the year of manufacture 1960 up to and including 2009. This data has been assembled from information provided by manufacturers and importers, Bosch documentation as well as from investigations made on vehicles as at the date of publication. It reflects the status as at March 2009.

Whilst every care has been taken in the preparation of this catalogue, it is not possible for Bosch to guarantee its sources or to avoid discrepancies caused by technical changes to vehicles, engines and equipment due to the conditions and regulations applying in Australia. Except in respect of any implied warranties which cannot be excluded by law, Bosch does not make any representation or warranty as to the

accuracy, completeness or suitability of the information in this catalogue. Bosch reserves the right to alter specifications and its product range without notice.

To the extent permitted by law, Bosch is not liable for any loss or damage whatsoever (including special, direct, consequential or incidental damages for loss of profits or loss of revenue) arising out of or relating to this catalogue whether arising in tort, contract, under statute, at law or otherwise.

Before relying on this catalogue, users may wish to carefully evaluate the information for their purpose and obtain further advice relevant to their circumstances. From time to time, Bosch may (at its discretion) issue bulletins containing updates to this information to which users of this catalogue should have regard.











ACCEL PERFORMANCE DISTRIBUTORS

34 Series			
8	Distributor cap		GA201
	Distributor rotor		GA104
	Condensor		GD11E
37 Series			
8	Distributor cap		GA200
	Distributor rotor		GA202
	Condensor		GD11E
41 Series			
8	Distributor cap		GA201
	Distributor rotor		GA104
43 Series			
8	Distributor cap		GA200
	Distributor rotor		GA202
51 Series			
8	Distributor cap		GA201
	Distributor rotor		GA104

ALFA ROMEO

Alfa 33						
905	06.83 - 10.84	AR30504	4	1.5	Distributor cap	GB739
					Distributor rotor	GB858
	06.83 - 03.88	AR30168 <M3>	4	1.3	Distributor cap	GB739
					Distributor rotor	GB858
	06.84 - 08.86	AR30146	4	1.5	Distributor cap	GB739
					Distributor rotor	GB858
	10.87 - 12.89	AR30558 <M8>	4	1.7	Distributor cap	GB739
					Distributor rotor	GB868
	03.88 - 12.89	AR30550 <M7>	4	1.7	Distributor cap	GB739
					Distributor rotor	GB868
907	01.90 - 03.92	AR30737 <M6>	4	1.7	Distributor cap	GB739
					Distributor rotor	GB899
		AR30746 <M8>	4	1.7	Distributor cap	GB739
					Distributor rotor	GB929
		AR30747 <M9>	4	1.7	Distributor cap	GB739
					Distributor rotor	GB929
	06.90 - 10.94	AR30747 <M9>	4	1.7	Distributor cap	GB739
					Distributor rotor	GB929
Alfa 75						
	02.86 - 02.92	AR 01911 KAT <M1>	6	2.5	Distributor cap	GB731
					Distributor rotor	GB905
	01.87 - 02.92	AR 06120 <M2>	6	3.0	Distributor cap	GB731
					Distributor rotor	GB905
		AR 06224 <M10>	4	2.0	Distributor cap	GB739 OE
						GB739 UE
	02.87 - 01.90	AR 06124 KAT <M3>	6	3.0	Distributor cap	GB731
					Distributor rotor	GB905
	09.87 - 02.92	AR 06166 KAT <M11>	4	2.0	Distributor cap	GB739 OE
						GB739 UE
Alfa 90						
	10.84 - 01.87	AR 01646 MPI-Bosch	6	2.5	Distributor cap	GB731
					Distributor rotor	GB855

		 Type	 Cyl.	 Room	Product	 From/To Date	 Bosch Part Number	 Special Cases	
	02.86 - 12.90	AR01911	6	2.5	Distributor cap		GB731		
					Distributor rotor		GB905		
Alfa 164									
164	04.88 - 09.92	AR 06412 <M4>	6	3.0	Distributor cap		GB930		
					Distributor rotor		GB884		
	09.90 - 09.92	AR 64301 <M5>	6	3.0	Distributor cap		GB930		
					Distributor rotor		GB884		
Alfasud									
	06.72 - 02.80	301.00	4	1.2	Distributor cap		GD702	DUC	
						10.74 - 02.80	GB739		
					Distributor rotor	10.74 - 02.80	GB875		
					Contact set		GD791	DUC	
						10.74 - 02.80	GB534		
					Condensor		GD732	DUC	
						10.74 - 02.80	GB806		
	12.73 - 12.77	301.04	4	1.2	Distributor cap		GD702	DUC	
						10.74 - 12.77	GB739		
					Distributor rotor	10.74 - 12.77	GB875		
					Contact set		GD791	DUC	
						10.74 - 12.77	GB534		
					Condensor		GD732	DUC	
						10.74 - 12.77	GB806		
	05.78 - 02.80	301.24	4	1.5	Distributor cap		GB739		
							GD702	DUC	
					Distributor rotor		GB875		
					Contact set		GB534		
							GD791	DUC	
					Condensor		GB806		
							GD732	DUC	
	09.78 - 12.82	301.24	4	1.5	Distributor cap	09.78 - 01.80	GB799		
						02.80 - 11.80	GB739		
					Distributor rotor	09.78 - 01.80	GB782		
						02.80 - 11.80	GB858		
					Contact set	09.78 - 01.80	GB752		
					Condensor	09.78 - 01.80	GB811		
	03.80 - 06.83	301.24	4	1.5	Distributor cap		GD702	DUC	
						03.80 - 09.81	GB739		
						10.81 - 06.83	GB739		
					Distributor rotor	03.80 - 09.81	GB875		
						10.81 - 06.83	GB858		
					Contact set		GD791	DUC	
						03.80 - 09.81	GB534		
					Condensor		GD732	DUC	
						03.80 - 09.81	GB806		
	03.80 - 12.84	301.28	4	1.5	Distributor cap		GD702	DUC	
						03.80 - 09.81	GB739		
						10.81 - 12.84	GB739		
					Distributor rotor	03.80 - 09.81	GB875		
						10.81 - 12.84	GB858		
					Contact set		GD791	DUC	
						03.80 - 09.81	GB534		
					Condensor		GD732	DUC	
						03.80 - 09.81	GB806		
		301.68	4	1.3	Distributor cap		GD702	DUC	
						03.80 - 09.81	GB739		
						10.81 - 12.84	GB739		
					Distributor rotor	03.80 - 09.81	GB875		
						10.81 - 12.84	GB858		
					Contact set		GD791	DUC	
						03.80 - 09.81	GB534		
					Condensor		GD732	DUC	
						03.80 - 09.81	GB806		



◀ ALFA ROMEO

Year Range	Part No.	Cyl	I/room	Product	Fitment Data	Bosch Part Number	Special Cases	
01.81 - 06.83	301.24	4	1.5	Distributor cap		GD702	DUC	
						01.81 - 09.81	GB739	
						10.81 - 06.83	GB739	
				Distributor rotor		01.81 - 09.81	GB875	
						10.81 - 06.83	GB858	
Contact set			GD791	DUC				
		01.81 - 09.81	GB534					
Condensor			GD732	DUC				
		01.81 - 09.81	GB806					
01.83 - 12.84	301.46	4	1.5	Distributor cap		GB739		
							GD702	DUC
				Distributor rotor			GB858	
							GB858	
				Contact set			GD791	DUC
Condensor			GD732	DUC				

Alfetta

01.75 - 12.84	016.78	4	1.8	Distributor cap		01.75 - 05.77	GB739	
						06.77 - 09.81	GB799	
						10.81 - 12.84	GB739	
				Distributor rotor		01.75 - 05.77	GB782	
						06.77 - 09.81	GB782	
						10.81 - 12.84	GB859	
				Contact set		01.75 - 06.78	GB752	
						07.78 - 09.81	GB534	
				Condensor		01.75 - 05.77	GB811	
						06.77 - 06.78	GB811	
						07.78 - 09.81	GB765	
				07.78 - 12.84	016.55	4	2.0	Distributor cap
	10.81 - 12.84	GB739						
Distributor rotor		07.78 - 09.81	GB782					
		10.81 - 12.84	GB859					
Contact set		07.78 - 09.81	GB534					
Condensor		07.78 - 09.81	GB765					
04.83 - 12.84	017.13	4	2.0	Distributor cap			GB739	
				Distributor rotor			GB842	

Berlina

04.71 - 12.77	005.15	4	2.0	Distributor cap		05.74 - 12.76	GB739	TSZ
						05.74 - 05.77	GB739	
						06.77 - 12.77	GB799	
				Distributor rotor		05.74 - 12.76	GB782	TSZ
						05.74 - 05.77	GB782	
						06.77 - 12.77	GB782	
				Contact set		05.74 - 12.77	GB752	
				Condensor		05.74 - 05.77	GB811	
						06.77 - 12.77	GB811	

Giulia

01.69 - 10.78	005.26	4	1.6	Distributor cap		05.74 - 05.77	GB739		
						06.77 - 10.78	GB799		
						05.74 - 05.77	GB782		
				Distributor rotor		06.77 - 10.78	GB782		
						05.74 - 06.78	GB752		
				Contact set		07.78 - 10.78	GB534		
					Condensor		05.74 - 05.77	GB811	
							06.77 - 06.78	GB811	
					07.78 - 10.78	GB765			
10.82 - 04.85	116.71	4	2.0	Distributor cap			GB739		
				Distributor rotor			GB859		

Giulietta

10.77 - 04.85	016.00	4	1.6	Distributor cap		10.77 - 09.81	GB799	
						10.81 - 04.85	GB739	



						Product										
				Type	Cyl.	Room			Formed Date	Bosch Part Number	Special Cases					
	10.77 - 04.85	016.00	4	1.6	Distributor rotor		10.77 - 09.81	GB782								
							10.81 - 04.85	GB859								
					Contact set		10.77 - 09.81	GB534								
					Condensor		10.77 - 09.81	GB765								
	04.79 - 04.85	016.78	4	1.8	Distributor cap			GB739								
					Distributor rotor		04.79 - 09.81	GB782								
							10.81 - 04.85	GB859								
					Contact set		04.79 - 09.81	GB752								
					Condensor		04.79 - 09.81	GB811								
GT																
	06.71 - 12.77	005.26	4	1.6	Distributor cap		05.74 - 05.77	GB739								
							06.77 - 12.77	GB799								
					Distributor rotor		05.74 - 05.77	GB782								
							06.77 - 12.77	GB782								
					Contact set		05.74 - 12.77	GB752								
					Condensor		05.74 - 05.77	GB811								
							06.77 - 12.77	GB811								
GT Junior																
	08.66 - 12.77	005.30s	4	1.3	Distributor cap		06.74 - 05.77	GB739								
							06.77 - 12.77	GB799								
					Distributor rotor		06.74 - 05.77	GB782								
							06.77 - 12.77	GB782								
					Contact set		06.74 - 12.77	GB752								
					Condensor		06.74 - 05.77	GB811								
							06.77 - 12.77	GB811								
	06.72 - 08.75	005.26	4	1.6	Distributor cap		05.74 - 08.75	GB739								
					Distributor rotor		05.74 - 08.75	GB782								
					Contact set		05.74 - 08.75	GB752								
					Condensor		05.74 - 08.75	GB811								
GTV																
	04.71 - 12.77	005.15	4	2.0	Distributor cap		05.74 - 12.76	GB739		TSZ						
							05.74 - 05.77	GB739								
							06.77 - 12.77	GB799								
					Distributor rotor		05.74 - 12.76	GB782		TSZ						
							05.74 - 05.77	GB782								
							06.77 - 12.77	GB782								
					Contact set		05.74 - 12.77	GB752								
					Condensor		05.74 - 05.77	GB811								
							06.77 - 12.77	GB811								
	07.78 - 01.86	016.55	4	2.0	Distributor cap		07.78 - 09.81	GB799								
							10.81 - 01.86	GB739								
					Distributor rotor		07.78 - 09.81	GB782								
							10.81 - 01.86	GB859								
					Contact set		07.78 - 09.81	GB534								
	11.80 - 02.87	016.46	6	2.5	Distributor cap			GB731								
					Distributor rotor			GB855								
Spider																
105	05.68 - 10.78	005.36	4	1.3	Distributor cap		06.74 - 05.77	GB739								
							06.77 - 10.78	GB799								
					Distributor rotor		06.74 - 05.77	GB782								
							06.77 - 10.78	GB782								
					Contact set		06.74 - 06.78	GB752								
										Condensor		07.78 - 10.78	GB534			
												06.74 - 05.77	GB811			
												06.77 - 06.78	GB811			
												07.78 - 10.78	GB765			
						04.71 - 12.89	005.15	4	2.0	Distributor cap		05.74 - 12.76	GB739		TSZ	
		05.74 - 12.89	GB739													



◀ ALFA ROMEO

105	04.71 - 12.89	005.15	4	2.0	Distributor rotor	05.74 - 12.76	GB782	TSZ
						05.74 - 02.83	GB782	
					Contact set	03.83 - 12.89	GB859	
						05.74 - 02.83	GB752	
					Condensor	05.74 - 02.83	GB811	
	06.71 - 10.79	005.26	4	1.6	Distributor cap	05.74 - 05.77	GB739	
						06.77 - 10.79	GB799	
					Distributor rotor	05.74 - 05.77	GB782	
						06.77 - 10.79	GB782	
					Contact set	05.74 - 06.78	GB752	
					07.78 - 10.79	GB534		
					Condensor	05.74 - 05.77	GB811	
						06.77 - 06.78	GB811	
						07.78 - 10.79	GB765	

Sprint

05.78 - 02.80	301.24	4	1.5	Distributor cap		GB739					
				Distributor rotor		GB875					
				Contact set		GB534					
				Condensor		GB806					
07.79 - 12.82	301.28	4	1.5	Distributor cap	07.79 - 09.81	GB739					
					10.81 - 12.82	GB739					
				Distributor rotor	07.79 - 09.81	GB875					
					10.81 - 12.82	GB858					
					Contact set	07.79 - 09.81	GB534				
					Condensor	07.79 - 09.81	GB806				
					10.87 - 12.89	305.58 Kat.	4	1.7	Distributor cap		GB739
									Distributor rotor		GB868

AUDI

Cabriolet

867, B4	01.93 - 09.98	ABK	4	2.0	Distributor cap		GB940
					Distributor rotor		GB899

Fox

08.74 - 09.79	YH	4	1.6	Distributor cap		GB799
				Distributor rotor		GB859
				Contact set		GB534

V8 Quattro

44, 4C, D11	09.90 - 12.92	PT	8	3.6	Distributor cap		GB962	Right side
							GB966	Left side

80

81, 85, B2	08.78 - 07.81	YN	4	1.6	Distributor cap	08.79 - 07.80	GB739				
					Distributor rotor	08.79 - 07.80	GB782				
					Contact set	08.79 - 07.80	GB534				
					Condensor	08.79 - 07.80	GB812				
					Distributor cap	08.80 - 07.81	GB739				
					Distributor rotor	08.80 - 07.81	GB859				
					10.80 - 08.83	WE	5	2.2	Distributor cap		GB836
									Distributor rotor	10.80 - 07.82	GB859
									Distributor cap		GB836
									Distributor rotor	08.82 - 08.83	GB859
									Distributor cap		GB739
									Distributor rotor		GB859
					08.81 - 07.83	WV	4	1.6	Distributor cap		GB739
									Distributor rotor		GB859
					08.83 - 03.87	JN	4	1.8	Distributor cap	08.83 - 05.84	GB799
										06.84 - 03.87	GB940
									Distributor rotor		GB859

						Product			
		Type	Cyl.	/Room			Formed Date	Bosch Part Number	Special Cases
89, 8A2, B3	09.86 - 12.91	JN	4	1.8	Distributor cap			GB940	
					Distributor rotor			GB859	
	09.87 - 07.88	SD	4	1.9	Distributor cap			GB921	
					Distributor rotor			GB899	
	08.88 - 10.90	3A	4	2.0	Distributor cap			GB921	
					Distributor rotor			GB899	
8C2, B4	09.91 - 11.94	NG	5	2.3	Distributor cap			GB915	
					Distributor rotor			GB914	
	09.91 - 05.95	ABK	4	2.0	Distributor cap			GB940	
					Distributor rotor			GB899	
80 Quattro									
89, 8A2, B3	09.86 - 07.88	SD	4	1.9	Distributor cap			GB921	
					Distributor rotor			GB899	
8C2, B4	09.91 - 11.94	NG	5	2.3	Distributor cap			GB915	
					Distributor rotor			GB914	
	09.91 - 12.94	ABK	4	2.0	Distributor cap			GB940	
					Distributor rotor			GB899	
90									
89, 8A2, B3	04.87 - 12.91	NG	5	2.3	Distributor cap			GB915	
					Distributor rotor			GB914	
	08.88 - 12.91	7A	5	2.3	Distributor cap			GB915	
90 Quattro									
89, 8A2, B3	04.87 - 09.91	NG	5	2.3	Distributor cap			GB915	
					Distributor rotor			GB914	
	07.88 - 09.91	7A	5	2.3	Distributor cap			GB915	
100									
43, 80, C1	09.71 - 07.76	ZJ	4	1.9	Distributor cap	11.71 - 07.76		GB739	
					Distributor rotor	11.71 - 07.76		GB782	
					Contact set	11.71 - 07.76		GB534	
					Condensor	11.71 - 07.76		GB754	
44, 44Q, C3	08.82 - 07.84	KF	5	2.2	Distributor cap			GB836	
					Distributor rotor			GB859	
		WH	5	1.9	Distributor cap			GB836	
					Distributor rotor			GB849	
	08.82 - 10.86	DR							
		Chassis →44..D..200000	4	1.8	Distributor cap	08.82 - 07.83		GB799	
					Distributor rotor	08.82 - 07.83		GB859	
		Chassis	4	1.8	Distributor cap	08.83 - 07.84		GB739	
		44..E..000001→			Distributor rotor	08.83 - 07.84		GB859	
		44..E..220000							
		Chassis 44..E..220001→	4	1.8	Distributor cap	07.84 - 10.86		GB940	
					Distributor rotor	07.84 - 10.86		GB859	
	08.84 - 12.88	HX	5	2.2	Distributor cap			GB881	
					Distributor rotor			GB849	
	09.84 - 12.90	KU							
		Chassis →44..J..200 099	5	2.2	Distributor cap	09.84 - 12.87		GB915	
				Distributor rotor	09.84 - 12.87		GB849		
	Chassis 44..J..200 100→	5	2.2	Distributor cap	01.88 - 12.90		GB915		
				Distributor rotor	01.88 - 12.90		GB850		
08.86 - 11.90	NF	5	2.3	Distributor cap			GB915		
				Distributor rotor			GB914		
10.86 - 12.90	NF	5	2.3	Distributor cap			GB915		
				Distributor rotor			GB914		
100 Quattro									
44, 44Q, C3	08.84 - 11.90	KU							
		Chassis →44..J..200 099	5	2.2	Distributor cap	08.84 - 12.87		GB915	
				Distributor rotor	08.84 - 12.87		GB849		



◀ AUDI

44, 44Q, C3	08.84 - 11.90	KU Chassis 44..J..200 100→	5	2.2	Distributor cap Distributor rotor	01.88 - 11.90 01.88 - 11.90	GB915 GB850
100 5E							
43, 80, C2	04.77 - 07.82	WC Eng. 139412→	5	2.2	Distributor cap Distributor rotor		GB836 GB849
200							
43, C2	08.81 - 09.82	KJ	5	2.2	Distributor cap Distributor rotor		GB836 GB849
44, C3	08.83 - 09.86	JY Chassis →44..E..220000 Chassis 44..G..000001→	5 5	2.2 2.2	Distributor cap Distributor rotor Distributor cap Distributor rotor	08.83 - 07.84 08.83 - 07.84 08.84 - 09.86 08.84 - 09.86	GB836 GB850 GB915 GB914
	08.85 - 12.91	MC	5	2.2	Distributor cap Distributor rotor		GB915 GB914
200 Quattro							
44, C3	01.85 - 12.90	MC	5	2.2	Distributor cap Distributor rotor		GB915 GB914

AUSTIN HEALEY

MK I 3000							
BN7	08.59 - 05.61		6	2.9	Distributor rotor Contact set Condensor		GL254 GL19 GL103
BT7	08.59 - 05.61		6	2.9	Distributor rotor Contact set Condensor		GL254 GL19 GL103
MK II 3000							
BN7	06.61 - 05.62		6	2.9	Distributor rotor Contact set Condensor		GL254 GL19 GL103
BT7	06.61 - 05.62		6	2.9	Distributor rotor Contact set Condensor		GL254 GL19 GL103
MK III 3000							
BJ7	06.62 - 02.64		6	2.9	Distributor rotor Contact set Condensor		GL254 GL19 GL103
Sprite							
Mk I	09.61 - 07.62	9CG	4	0.9	Distributor cap Distributor rotor Contact set Condensor		GL268 GL256 GL19 GL103
Mk II	08.62 - 02.63	9CG	4	0.9	Distributor cap Distributor rotor Contact set Condensor		GL268 GL256 GL19 GL103
Mk IIA	03.63 - 09.64	10CG-D-A	4	1.1	Distributor cap Distributor rotor Contact set Condensor		GL268 GL256 GL19 GL103
Mk III	10.64 - 07.65	10CG-D-A	4	1.1	Distributor cap Distributor rotor		GL268 GL256



Mk III	10.64 - 07.65	10CG-D-A	4	1.1	Contact set	GL19
					Condensor	GL103
Mk IIIA	08.65 - 09.67	10CG-D-A	4	1.1	Distributor cap	GL268
					Distributor rotor	GL256
					Contact set	GL19
					Condensor	GL103

100/4

BN1	06.53 - 07.55		4	2.7	Distributor cap	GL270
					Distributor rotor	GL229
					Contact set	GL14
					Condensor	GL103
BN2	08.55 - 07.56		4	2.7	Distributor cap	GL270
					Distributor rotor	GL229
					Contact set	GL14
					Condensor	GL103

100/6

BN4	08.56 - 06.59		6	2.6	Distributor rotor	GL254
					Contact set	GL19
					Condensor	GL103
BN6	08.56 - 06.59		6	2.6	Distributor rotor	GL254
					Contact set	GL19
					Condensor	GL103

BEDFORD

C Series

CF	07.67 - 01.70	300 cu.in	6	4.9	Distributor cap	GB75	BO
						GD86	Delco Remy
					Distributor rotor	GB73	BO
						GD85	Delco Remy
					Contact set	GB527	BO
					GD502	Delco Remy	
					Condensor	GB706	BO
						GD11E	Delco Remy
CD	07.67 - 12.70	214 cu.in <D>	6	3.5	Distributor cap	GD86	
					Distributor rotor	GD85	
					Contact set	GD502	
					Condensor	GD11E	
	01.70 - 12.73	250 cu.in <D>	6	4.1	Distributor cap	GD665	
					Distributor rotor	GD669	
					Contact set	GD501	
					Condensor	GD11E	
CF	01.70 - 12.73	292 cu.in <D>	6	4.7	Distributor cap	GD665	
					Distributor rotor	GD669	
					Contact set	GD501	
					Condensor	GD11E	

CA Van

CALV30/Z30	01.59 - 12.70	97.4 cu.in	4	1.6	Distributor cap	GD101	
					Distributor rotor	GD85	
					Contact set	GD502	
					Condensor	GD11E	
CASV4	01.59 - 12.70	92 cu.in	4	1.5	Distributor cap	GD101	
					Distributor rotor	GD85	
					Contact set	GD502	
					Condensor	GD11E	
CASV30	01.59 - 12.70	97.4 cu.in	4	1.6	Distributor cap	GD101	
					Distributor rotor	GD85	
					Contact set	GD502	
					Condensor	GD11E	





◀ BEDFORD

CF Van

CFL	08.70 - 09.73	120 cu.in <L>	4	2.0	Distributor cap	GD110	
					Distributor rotor	GD69	
					Contact set	GD50	
					Condensor	GD11E	
CFS	08.70 - 09.73	120 cu.in <L>	4	2.0	Distributor cap	GD110	
					Distributor rotor	GD69	
					Contact set	GD50	
					Condensor	GD11E	
CFL	09.73 - 07.81	173 cu.in (Red) <FE>	6	2.8	Distributor cap	GB539	BO
						GL269	LUC
					Distributor rotor	GB502	BO
						GL256	LUC
					Contact set	GB534	BO
						GL19	LUC
					Condensor	GB538	BO
						GL103	LUC
CFS	09.73 - 12.81	173 cu.in (Red) <FE>	6	2.8	Distributor cap	GB539	BO
						GL269	LUC
					Distributor rotor	GB502	BO
						GL256	LUC
					Contact set	GB534	BO
						GL19	LUC
					Condensor	GB538	BO
						GL103	LUC
	07.78 - 12.81	202 cu.in (Red) <FL>	6	3.3	Distributor cap	GB539	
					Distributor rotor	GB502	
					Contact set	GB534	
					Condensor	GB538	

E-Serie

ED	07.67 - 12.70	214 cu.in <D>	6	3.5	Distributor cap	GD86	
					Distributor rotor	GD85	
					Contact set	GD502	
					Condensor	GD11E	
	01.70 - 12.77	250 cu.in <D>	6	4.1	Distributor cap	GD665	
					Distributor rotor	GD669	
					Contact set	GD501	
					Condensor	GD11E	

E-Series

EF	07.67 - 12.70	300 cu.in	6	4.9	Distributor cap	GB75	BO
						GD86	Delco Remy
					Distributor rotor	GB73	BO
						GD85	Delco Remy
					Contact set	GB527	BO
						GD502	Delco Remy
					Condensor	GB706	BO
						GD11E	Delco Remy
	01.70 - 12.77	292 cu.in <D>	6	4.7	Distributor cap	GD665	
					Distributor rotor	GD669	
					Contact set	GD501	
					Condensor	GD11E	

HA Van

HAE / HAV	08.64 - 12.66	70.7 cu.in	4	1.2	Distributor cap	GD101	
					Distributor rotor	GD85	
					Contact set	GD502	
					Condensor	GD11E	

M Series

MF	01.70 - 12.86	300 cu.in	6	4.9	Distributor cap	GB75	
					Distributor rotor	GB73	

						Product			
		Type	Cyl.	/Room			Fitment Date	Bosch Part Number	Special Cases

MF	01.70 - 12.86	300 cu.in	6	4.9	Contact set	GB527
					Condensor	GB706

R Series

RF	01.53 - 12.69	300 cu.in	6	4.9	Distributor cap	GD86
					Contact set	GD502
					Condensor	GD11E

BENTLEY**Turbo R**

	11.91 - 03.93	V8 <OHV>	8	6.8	Distributor cap	GB853
					Distributor rotor	GB854

BLMC (BRIT. LEYLAND MOT.CORP.)**Austin A60**

	10.59 - 04.62	16AMW, 16AA	4	1.6	Distributor cap	GL268
					Distributor rotor	GL229
					Contact set	GL19V
					Condensor	GL103

Austin Freeway

	05.62 - 09.64	Blue Streak	6	2.4	Distributor rotor	GL254
					Contact set	GL19
					Condensor	GL103

Mk II	10.64 - 02.65	Blue Streak	6	2.4	Distributor rotor	GL254
					Contact set	GL19
					Condensor	GL103

Austin Kimberley

X6	12.70 - 04.72	E6	6	2.2	Distributor cap	GL269
					Distributor rotor	GL256
					Contact set	GL19
					Condensor	GL103
X6 Mk II	05.72 - 05.73	E6	6	2.2	Distributor cap	GL269
					Distributor rotor	GL256
					Contact set	GL19
					Condensor	GL103

Austin Lancer

Series I	04.58 - 09.59	B Series	4	1.5	Distributor cap	GL268
					Distributor rotor	GL229
					Contact set	GL19V
					Condensor	GL103
Series II	10.59 - 12.61	B Series	4	1.5	Distributor cap	GL268
					Distributor rotor	GL229
					Contact set	GL19V
					Condensor	GL103

Austin Tasman

X6	12.70 - 04.72	E6	6	2.2	Distributor cap	GL269
					Distributor rotor	GL256
					Contact set	GL19
					Condensor	GL103
X6 Mk II	05.72 - 05.73	E6	6	2.2	Distributor cap	GL269
					Distributor rotor	GL256
					Contact set	GL19
					Condensor	GL103



◀ BLMC

Austin Westminster

A99	01.60 - 04.62	C Series	6	2.9	Distributor rotor	GL254
					Contact set	GL19
					Condensor	GL103
A110	05.62 - 09.64	C Series	6	2.9	Distributor rotor	GL254
					Contact set	GL19
					Condensor	GL103

Austin 1800

Series I	10.65 - 09.68	E Series	4	1.8	Distributor cap	GL268
					Distributor rotor	GL229
					Contact set	GL19V
					Condensor	GL103
Series II	10.68 - 11.70	E Series	4	1.8	Distributor cap	GL278
					Distributor rotor	GL256
					Contact set	GL19
					Condensor	GL103

Leyland Marina

	04.72 - 03.73	E Series	4	1.5	Distributor cap	GL278
					Distributor rotor	GL256
					Contact set	GL19
					Condensor	GL103
	04.72 - 08.75	E Series	4	1.7	Distributor cap	GL278
					Distributor rotor	GL256
					Contact set	GL19
					Condensor	GL103
	2620-21		6	2.6	Distributor cap	GL269
					Distributor rotor	GL256
					Contact set	GL19
					Condensor	GL103

Leyland Mini

	04.73 - 08.75	A Series	4	1.1	Distributor cap	GL278
					Distributor rotor	GL256
					Contact set	GL19
					Condensor	GL103
	09.75 - 10.78	A Series	4	1.0	Distributor cap	GL109
					Distributor rotor	GL803
					Contact set	GL769
					Condensor	GL179
LS	03.77 - 08.77	A Series	4	1.0	Distributor cap	GL109
					Distributor rotor	GL803
					Contact set	GL769
					Condensor	GL179
1275 LS	08.77 - 10.78	A Series	4	1.3	Distributor cap	GL109
					Distributor rotor	GL803
					Contact set	GL769
					Condensor	GL179

Leyland Mini Clubman

	04.72 - 03.73	A Series	4	1.1	Distributor cap	GL278	
					Distributor rotor	GL256	
					Contact set	GL19	
					Condensor	GL103	
					1.3	Distributor cap	GL276
						Distributor rotor	GL229
						Contact set	GL19
						Condensor	GL103

Leyland Mini Moke

	09.72 - 11.81	A Series	4	1.0	Distributor cap	GL109
					Distributor rotor	GL803

						Product			
		Type	Cyl.	/Room			Fitment Data	Search Part Number	Special Cases
	09.72 - 11.81	A Series	4	1.0		Contact set		GL769	
						Condensor		GL179	
California	01.80 - 11.81	A Series	4	1.3		Distributor rotor		GL254	
						Contact set		GL190	
						Condensor		GL103	
								GL551	
Leyland P76									
	06.73 - 11.74	2620-21	6	2.6		Distributor cap		GL269	
						Distributor rotor		GL256	
						Contact set		GL19	
						Condensor		GL103	
		4400-14,4420-34	8	4.4		Distributor cap		GL665	
						Distributor rotor		GL854	
						Contact set		GL27V	
						Condensor		GL103	
Morris Major									
Series I	04.58 - 09.59	B Series	4	1.5		Distributor cap		GL268	
						Distributor rotor		GL229	
						Contact set		GL19V	
						Condensor		GL103	
Series II	10.59 - 03.62	B Series	4	1.5		Distributor cap		GL268	
						Distributor rotor		GL229	
						Contact set		GL19V	
						Condensor		GL103	
Morris Major Elite									
	04.62 - 02.64	16AMW, 16AA	4	1.6		Distributor cap		GL268	
						Distributor rotor		GL229	
						Contact set		GL19V	
						Condensor		GL103	
Morris Mini									
Mini 850	03.65 - 01.66	A Series	4	0.8		Distributor cap		GL268	
						Distributor rotor		GL229	
						Contact set		GL19V	
						Condensor		GL103	
Deluxe 1000	03.65 - 03.69	A Series	4	1.0		Distributor cap		GL268	
						Distributor rotor		GL229	
						Contact set		GL19V	
						Condensor		GL103	
Mini 1000	03.65 - 03.69	A Series	4	1.0		Distributor cap		GL268	
						Distributor rotor		GL229	
						Contact set		GL19V	
						Condensor		GL103	
Mini 1100	04.69 - 08.71	A Series	4	1.1		Distributor cap		GL278	
						Distributor rotor		GL256	
						Contact set		GL19	
						Condensor		GL103	
Mini 1100K	04.69 - 08.71	A Series	4	1.1		Distributor cap		GL278	
						Distributor rotor		GL256	
						Contact set		GL19	
						Condensor		GL103	
Clubman	09.71 - 04.72	A Series	4	1.1		Distributor cap		GL278	
						Distributor rotor		GL256	
						Contact set		GL19	
						Condensor		GL103	
Clubman GT	09.71 - 04.72	A Series	4	1.3		Distributor cap		GL276	
						Distributor rotor		GL229	
						Contact set		GL19	
						Condensor		GL103	



◀ BLMC

Morris Mini Cooper

10.62 - 08.65	A Series	4	1.0	Distributor cap	GL268
				Distributor rotor	GL229
				Contact set	GL19V
				Condensor	GL103

Morris Mini Cooper S

Mk I	08.65 - 04.69	A Series	4	1.3	Distributor cap	GL268
				Distributor rotor	GL229	
				Contact set	GL19V	
				Condensor	GL103	
Mk II	05.69 - 08.71	A Series	4	1.3	Distributor cap	GL268
				Distributor rotor	GL229	
				Contact set	GL19V	
				Condensor	GL103	

Morris Mini Moke

Mini Moke 1.0	03.66 - 03.69	A Series	4	1.0	Distributor cap	GL268
				Distributor rotor	GL229	
				Contact set	GL19V	
				Condensor	GL103	
Mini Moke 1.1	04.69 - 04.72	A Series	4	1.1	Distributor cap	GL278
				Distributor rotor	GL256	
				Contact set	GL19	
				Condensor	GL103	

Morris Minor 1000

04.57 - 05.62	A Series	4	0.9	Distributor cap	GL268
				Distributor rotor	GL229
				Contact set	GL19V
				Condensor	GL103

Morris Nomad

06.69 - 04.72	E Series	4	1.5	Distributor cap	GL278
				Distributor rotor	GL256
				Contact set	GL19
				Condensor	GL103

Morris Oxford

Series V	10.59 - 04.62	B Series	4	1.6	Distributor cap	GL268
				Distributor rotor	GL229	
				Contact set	GL19V	
				Condensor	GL103	

Morris 850

03.61 - 02.65	A Series	4	0.8	Distributor cap	GL268
				Distributor rotor	GL229
				Contact set	GL19V
				Condensor	GL103

Morris 1100

02.64 - 05.69	A Series	4	1.1	Distributor cap	GL268	
				Distributor rotor	GL229	
				Contact set	GL19V	
				Condensor	GL103	
S	02.67 - 05.69	A Series	4	1.3	Distributor cap	GL268
				Distributor rotor	GL229	
				Contact set	GL19V	
				Condensor	GL103	

Morris 1300

06.69 - 04.72	A Series	4	1.3	Distributor cap	GL268
---------------	----------	---	-----	-----------------	--------------



		Type	Cyl.	/Room	Product	Forward Date	Bosch Part Number	Special Cases
	06.69 - 04.72	A Series	4	1.3	Distributor rotor		GL229	
					Contact set		GL19V	
					Condensor		GL103	
Morris 1500								
	06.69 - 04.72	E Series	4	1.5	Distributor cap		GL278	
					Distributor rotor		GL256	
					Contact set		GL19	
					Condensor		GL103	
Wolseley 15/60								
	10.59 - 04.62	16AMW, 16AA	4	1.6	Distributor cap		GL268	
					Distributor rotor		GL229	
					Contact set		GL19V	
					Condensor		GL103	
Wolseley 24/80								
	05.62 - 09.64	Blue Streak	6	2.4	Distributor rotor		GL254	
					Contact set		GL19	
					Condensor		GL103	
Mk II	10.64 - 09.65	Blue Streak	6	2.4	Distributor rotor		GL254	
					Contact set		GL19	
					Condensor		GL103	
Wolseley 1500								
	04.57 - 09.59	BP15LAW	4	1.5	Distributor cap		GL268	
					Distributor rotor		GL229	
					Contact set		GL19V	
					Condensor		GL103	
BMW								
M5								
E 34	10.88 - 12.93	36 6S 1 <S 38 B 36..>	6	3.6	Distributor cap		GB874	
					Distributor rotor		GB884	
3.0CS								
E 9	05.71 - 03.76	<M 30 B 30>	6	3.0	Distributor cap	09.71 - 08.75	GB75	
						09.75 - 03.76	GB731	
					Distributor rotor	09.71 - 08.75	GB844	
						09.75 - 03.76	GB793	
					Contact set	09.71 - 08.75	GB534	
						09.75 - 03.76	GB784	
					Condensor	09.71 - 08.75	GB735	
						09.75 - 03.76	GB877	
3.0CSi								
E 9	07.71 - 03.76	<M 30 B 30>	6	3.0	Distributor cap		GB798	
					Distributor rotor		GB793	
					Contact set		GB770	
					Condensor		GB805	
3.0S								
E 3	05.71 - 04.77	<M 30 B 30>	6	3.0	Distributor cap	09.71 - 08.75	GB75	
						09.75 - 04.77	GB731	
					Distributor rotor	09.71 - 08.75	GB844	
						09.75 - 04.77	GB793	
					Contact set	09.71 - 08.75	GB534	
						09.75 - 04.77	GB784	
					Condensor	09.71 - 08.75	GB735	
						09.75 - 04.77	GB877	





◀ BMW

3.0Si

E 3	02.72 - 11.75	30 ED A <M 30 B 30>	6	3.0	Distributor cap		GB798
					Distributor rotor		GB793
					Contact set		GB770
					Condensor		GB805
	10.75 - 04.77	30 ELA <M 30 B 30>	6	3.0	Distributor cap		GB731
					Distributor rotor		GB793
					Contact set		GB784
					Condensor		GB877

3.3L

E 3	01.74 - 09.75	<M 30 B 33>	6	3.3	Distributor cap		GB75
					Distributor rotor	01.74 - 03.74	GB844
					Contact set		GB534
					Condensor		GB735

318i

E 21	03.80 - 05.83	18 4E Z <M 10 B 18>	4	1.8	Distributor cap	09.81 - 08.82	GB883
					Distributor rotor	09.81 - 08.82	GB959
E 30	09.83 - 12.87	18 4E B <M 10 B 18>	4	1.8	Distributor cap		GB883
					Distributor rotor	09.83 - 08.84	GB959
					Distributor rotor	09.84 - 12.87	GB842
	09.87 - 12.91	18 4E 1 <M 40 B 18>	4	1.8	Distributor cap		GB931
					Distributor rotor		GB884
E 36	12.90 - 02.94	18 4E 1 <M 40 B 18>	4	1.8	Distributor cap		GB931
					Distributor rotor		GB884

318i Cabriolet

E 30	09.90 - 12.93	18 4E 1 <M 40 B 18>	4	1.8	Distributor cap		GB931
					Distributor rotor		GB884

320

E 21	08.75 - 12.79	<M 10 B 20>	4	2.0	Distributor cap		GB739
					Distributor rotor		GB844
					Contact set		GB784
					Condensor		GB811








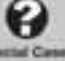
320i

E 21	06.75 - 12.78	<M 10 B 20>	4	2.0	Distributor cap	10.75 - 06.76	GB739
					Distributor rotor	07.76 - 08.77	GB739
					Distributor rotor	10.75 - 06.76	GB844
					Distributor rotor	07.76 - 08.77	GB844
					Contact set	10.75 - 06.76	GB803
					Contact set	07.76 - 08.77	GB784
					Condensor	10.75 - 06.76	GB811
					Condensor	07.76 - 08.77	GB811
E 30	09.82 - 09.87	20 6E B/Z <M 20 B 20>	6	2.0	Distributor cap		GB878
					Distributor rotor	09.82 - 08.84	GB922
					Distributor rotor	09.84 - 09.87	GB861
					Distributor rotor		GB874
	12.85 - 12.91	20 6E E/K A <M 20 B 20>	6	2.0	Distributor cap		GB874
					Distributor rotor		GB884

323i

E 21	01.78 - 09.82	23 6E A <M 20 B 23>	6	2.3	Distributor cap	01.78 - 09.81	GB839
					Distributor rotor	10.81 - 08.82	GB878
					Distributor rotor	01.78 - 08.80	GB793
E 30	09.82 - 12.86	23 6E B/C/W <M 20 B 23>	6	2.3	Distributor cap	09.82 - 02.83	GB878
					Distributor rotor	03.83 - 12.86	GB878
					Distributor rotor	09.82 - 02.83	GB922
					Distributor rotor	03.83 - 08.84	GB922
					Distributor rotor	09.84 - 12.86	GB861

			Type	Cyl.	/Room	Product	Formed Date	Bosch Part Number	Special Cases
325e									
E 30	01.85 - 12.87	27 6K A/B <M 20 B 27>	6	2.7	Distributor cap			GB874	
					Distributor rotor			GB884	
325i									
E 30	12.86 - 12.91	25 6K 1 <M 20 B 25 Kat.>	6	2.5	Distributor cap			GB874	
					Distributor rotor			GB884	
520									
E 12	08.72 - 12.79	<M 10 B 20>	4	2.0	Distributor cap	08.72 - 06.73		GB72	
						10.75 - 01.77		GB739	
						02.77 - 08.77		GB739	
					Distributor rotor	08.72 - 06.73		GB844	
						10.75 - 01.77		GB844	
						02.77 - 08.77		GB844	
					Contact set	08.72 - 06.73		GB534	
						10.75 - 01.77		GB784	
						02.77 - 08.77		GB784	
					Condensor	08.72 - 06.73		GB722	
						10.75 - 01.77		GB811	
						02.77 - 08.77		GB811	
520i									
E 12	09.72 - 10.75	<M 10 B 20>	4	2.0	Distributor cap	07.73 - 09.75		GB72	
					Distributor rotor	07.73 - 09.75		GB844	
					Contact set	07.73 - 09.75		GB534	
					Condensor	07.73 - 09.75		GB722	
	10.75 - 12.79	<M 10 B 20>	4	2.0	Distributor cap	10.75 - 06.76		GB739	
						07.76 - 08.77		GB739	
					Distributor rotor	10.75 - 06.76		GB844	
						07.76 - 08.77		GB844	
					Contact set	10.75 - 06.76		GB803	
						07.76 - 08.77		GB784	
					Condensor	10.75 - 06.76		GB811	
						07.76 - 08.77		GB811	
525									
E 12	08.73 - 07.81	25 6V A <M 30 B 25>	6	2.5	Distributor cap	08.73 - 08.75		GB75	
						09.75 - 05.81		GB731	
					Distributor rotor	08.73 - 08.75		GB844	
						09.75 - 05.81		GB793	
					Contact set	08.73 - 08.75		GB534	
						09.75 - 07.78		GB784	
					Condensor	08.73 - 08.75		GB735	
						09.75 - 07.78		GB877	
525e									
E 28	12.84 - 12.87	27 6K A/B <M 20 B 27 Kat.>	6	2.7	Distributor cap			GB874	
					Distributor rotor			GB884	
525i									
E 34	01.88 - 12.90	25 6K 1 <M 20 B 25>	6	2.5	Distributor cap			GB874	
					Distributor rotor			GB884	
528									
E 12	01.75 - 12.77	<M 30 B 28>	6	2.8	Distributor cap	01.75 - 08.75		GB75	
						09.75 - 12.77		GB731	
					Distributor rotor	01.75 - 08.75		GB844	
						09.75 - 12.77		GB793	
					Contact set	01.75 - 08.75		GB534	
						09.75 - 12.77		GB784	
					Condensor	01.75 - 08.75		GB735	
						09.75 - 12.77		GB877	

					Product			
◀ BMW								
528i								
E 12	04.77 - 07.81	<M 30 B 28>	6	2.8	Distributor cap	04.77 - 07.78	GB731	
					Distributor rotor	08.78 - 05.81	GB731	
E 28	06.81 - 12.87	<M 30 B 28>	6	2.8	Distributor cap	04.77 - 07.78	GB793	
					Distributor rotor	08.78 - 05.81	GB793	
E 28	06.81 - 12.87	<M 30 B 28>	6	2.8	Distributor cap	06.81 - 08.84	GB731	
					Distributor rotor	06.81 - 08.84	GB922	
535i								
E 28	01.85 - 12.87	34 6K A <M 30 B 35 Kat.>	6	3.4	Distributor cap		GB874	
					Distributor rotor		GB884	
E 34	01.88 - 04.93	34 6K B <M 30 B 35>	6	3.5	Distributor cap		GB874	
					Distributor rotor		GB884	
633CSi								
E 24	04.76 - 09.79	<M 30 B 32>	6	3.2	Distributor cap	04.76 - 07.78	GB731	
					Distributor rotor	08.78 - 08.79	GB731	
E 24	09.79 - 12.81	<M 30 B 32>	6	3.2	Distributor cap	04.76 - 07.78	GB793	
					Distributor rotor	08.78 - 08.79	GB793	
E 24	09.79 - 12.81	<M 30 B 32>	6	3.2	Distributor cap		GB866	
					Distributor rotor		GB867	
635CSi								
E 24	01.86 - 04.89	<M 30 B 35 Kat.>	6	3.4	Distributor cap		GB874	
					Distributor rotor		GB884	
730i, 730iL								
E 32	09.86 - 06.94	30 6K A <M 30 B 30>	6	3.0	Distributor cap		GB874	
					Distributor rotor		GB884	
733i								
E 23	05.77 - 12.82	32 6E A <M 30 B 32>	6	3.2	Distributor cap	05.77 - 07.78	GB731	
					Distributor rotor	08.78 - 08.79	GB731	
E 23	05.77 - 12.82	32 6E A <M 30 B 32>	6	3.2	Distributor cap	05.77 - 07.78	GB793	
					Distributor rotor	08.78 - 08.79	GB793	
735i								
E 23	01.85 - 08.86	34 6K A <M 30 B 35 Kat.>	6	3.4	Distributor cap		GB874	
					Distributor rotor		GB884	
735i, 735iL								
E 32	09.86 - 12.92	34 6E C/K B <M 30 B 35>	6	3.4	Distributor cap		GB874	
					Distributor rotor		GB884	
750i, 750iL								
E 32	09.87 - 10.94	50 12 A <M 70 B 50>	12	5.0	Distributor cap		GB874	
					Distributor rotor		GB884	
E 38	06.94 - 06.01	54 12 1/2 <M 73 B 54>	12	5.4	Distributor cap		GB874	
					Distributor rotor		GB884	
850CSi								
E 31	08.92 - 10.96	56 12 1 <M 70 B 56>	12	5.6	Distributor cap		GB874	
					Distributor rotor		GB884	
850i, 850Ci								
E 31	07.89 - 12.94	50 12 A <M 70 B 50>	12	5.0	Distributor cap		GB874	
					Distributor rotor		GB884	
1602								
E 10	05.71 - 07.75	<M 10 B 16>	4	1.6	Distributor cap	09.71 - 07.75	GB72	
					Distributor rotor	09.71 - 07.75	GB844	



E 10	05.71 - 07.75	<M 10 B 16>	4	1.6	Contact set	09.71 - 07.75	GB534
					Condensor	09.71 - 07.75	GB735

2002

E 10	02.68 - 07.75	<M 10 B 20>	4	2.0	Distributor cap	09.71 - 07.75	GB72
						08.73 - 07.75	GB72 Auto
					Distributor rotor	09.71 - 07.75	GB844
						08.73 - 07.75	GB844 Auto
					Contact set	09.71 - 07.75	GB534
						08.73 - 07.75	GB700 Auto
					Condensor	09.71 - 07.75	GB735
						08.73 - 07.75	GB722 Auto

2002tii

E 10	05.71 - 07.75	M 10 B 20 <Kugelfischer-Inj.>	4	2.0	Distributor cap	07.73 - 07.75	GB72
					Distributor rotor	07.73 - 07.75	GB844
					Contact set	07.73 - 07.75	GB534
					Condensor	07.73 - 07.75	GB722

2500

E 3	05.71 - 04.77	<M 30 B 25>	6	2.5	Distributor cap	09.71 - 08.75	GB75
						09.75 - 04.77	GB731
					Distributor rotor	09.71 - 08.75	GB844
						09.75 - 04.77	GB793
					Contact set	09.71 - 08.75	GB534
						09.75 - 04.77	GB784
					Condensor	09.71 - 08.75	GB735
						09.75 - 04.77	GB877

2800

E 3	10.68 - 07.75	<M 30 B 28>	6	2.8	Distributor cap	09.71 - 07.75	GB75
					Distributor rotor	09.71 - 07.75	GB844
					Contact set	09.71 - 07.75	GB534
					Condensor	09.71 - 07.75	GB735

BUICK

Electra 225

	01.60 - 12.66		8	6.6	Distributor cap		GD607
					Distributor rotor		GD659
					Contact set		GD143V
					Condensor		GD10
	01.67 - 12.70		8	7.0	Distributor cap		GD607
					Distributor rotor		GD659
					Contact set		GD143V
					Condensor		GD10

Riviera Hardtop

	09.62 - 08.66		8	6.6	Distributor cap		GD607
					Distributor rotor		GD659
					Contact set		GD143V
					Condensor		GD10

GS	01.65 - 12.66		8	7.0	Distributor cap		GD607
					Distributor rotor		GD659
					Contact set		GD143V
					Condensor		GD10
	01.67 - 12.71		8	7.0	Distributor cap		GD607
					Distributor rotor		GD659
					Contact set		GD143V
					Condensor		GD10





CHEVROLET

Bel-Air

09.56 - 08.67			8	4.6	Distributor cap		GD607
					Distributor rotor		GD659
					Contact set		GD143V
					Condensor		GD10

Camaro

05.67 - 12.72			8	5.7	Distributor cap		GD607
					Distributor rotor		GD659
					Contact set		GD143V
					Condensor		GD10

C20

75-78 Series	01.75 - 12.79	292 cu in (Chev)	6	4.8	Distributor cap	01.75 - 12.75	GD665
						01.76 - 12.77	GD666
						01.78 - 12.79	GD667
					Distributor rotor	01.75 - 12.75	GD669
						01.76 - 12.77	GD670
						01.78 - 12.79	GD671
	Contact set	01.75 - 12.75		GD501			
		01.75 - 12.75		GD11E			
		01.79 - 12.81	350 cu in (Chev)	8	5.7	Distributor cap	GD668
Distributor rotor	GD671						

C30

75-78 Series	01.75 - 12.79	292 cu in (Chev)	6	4.8	Distributor cap	01.75 - 12.75	GD665
						01.76 - 12.77	GD666
						01.78 - 12.79	GD667
					Distributor rotor	01.75 - 12.75	GD669
						01.76 - 12.77	GD670
						01.78 - 12.79	GD671
	Contact set	01.75 - 12.75		GD501			
		01.75 - 12.75		GD11E			
		01.79 - 12.81	350 cu in (Chev)	8	5.7	Distributor cap	GD668
Distributor rotor	GD671						

C50

75-76 Series	01.75 - 12.76	292 cu in (Chev)	6	4.8	Distributor cap	01.75 - 12.75	GD665	
						01.76 - 12.76	GD666	
						Distributor rotor	01.75 - 12.75	GD669
					Contact set	01.76 - 12.76		GD670
								GD501
								GD11E

C60

75-76 Series	01.75 - 12.76	292 cu in (Chev)	6	4.8	Distributor cap	01.75 - 12.75	GD665	
						01.76 - 12.76	GD666	
						Distributor rotor	01.75 - 12.75	GD669
					Contact set	01.76 - 12.76		GD670
								GD501
								GD11E

Impala

08.59 - 09.66			8	4.6	Distributor cap	GD607						
						Distributor rotor	GD659					
							GD143V					
					GD10							
					09.61 - 12.71			8	5.4	Distributor cap	GD607	
											Distributor rotor	GD659
Contact set		GD143V										
Condensor		GD10										



K20						
78 Series	01.78 - 12.78	292 cu in (Chev)	6	4.8	Distributor cap	GD667
					Distributor rotor	GD671

LUV						
KB20	01.73 - 01.75	G161	4	1.6	Distributor cap	GH506
					Distributor rotor	GH600
					Contact set	GH203
					Condensor	GH208
	02.75 - 05.77	G161Z	4	1.6	Distributor cap	GD366
					Distributor rotor	GD527
					Contact set	GD214
					Condensor	GD209

Small Block / Big Block							
	01.57-12.73		8		Distributor cap	GD607	
					Distributor rotor	GD659	
					Contact set	GD45	
						GD143V	With built in condensor
							With screw adjuster
	01.74-12.90		8		Condensor	GD10	
					Distributor cap	GD668	
					Distributor cap cover	GD658	
					Distributor rotor	GD671	
					Distributor cap	GD650	
01.87-12.97		8		Distributor rotor	GD651		
				Condensor	GD652		

CHRYSLER

Centura									
KB	04.75 - 03.77	DF	6	4.0	Distributor cap	GB539			
					Distributor rotor	GB502			
					Hemi 215 cu.in	6	3.5	Distributor cap	GB539
					Distributor rotor	GB502			
					Contact set	GB534			
	04.75 - 03.78	18	4	2.0	Condensor	GB538			
					Distributor cap	GD702			
					Distributor rotor	GD799			
					Distributor cap	GB539			
					Distributor rotor	GB502			

Chrysler by Chrysler						
VH	11.71 - 02.73	Hemi 265 cu.in	6	4.3	Distributor cap	GB539
					Distributor rotor	GB502
					Contact set	GB534
					Condensor	GB538
	360 cu.in	8	5.9		Distributor cap	GB926
					Distributor rotor	GB536
					Distributor cap	GB539
					Distributor rotor	GB502
CJ	03.73 - 10.75	Hemi 265 cu.in	6	4.3	Distributor cap	GB539
					Distributor rotor	GB502
					Distributor cap	GB539
	360 cu.in	8	5.9		Distributor rotor	GB502
					Contact set	GB534
					Condensor	GB538

Galant						
GA	08.71 - 10.72	4G30	4	1.3	Distributor cap	GM536
					Distributor rotor	GM517
					Contact set	GM210
					Condensor	GM406
					4G31	4





◀ CHRYSLER

Model	Year Range	Engine Type	Cyls	Displacement	Product	Part Number
GA	08.71 - 10.72	4G31	4	1.5	Distributor rotor	GM517
					Contact set	GM210
					Condensor	GM406
GB	11.72 - 06.74	4G32	4	1.6	Distributor rotor	GB73
					Contact set	GB534
					Condensor	GB712
		4G33	4	1.4	Distributor rotor	GB73
					Contact set	GB534
					Condensor	GB712
GC	07.74 - 03.76	4G32	4	1.6	Distributor cap	GM347
					Distributor rotor	GM533
					Contact set	GM216
					Condensor	GM409
GD	04.76 - 12.77	4G32	4	1.6	Distributor cap	GM347
					Distributor rotor	GM533
					Contact set	GM216
					Condensor	GM556

Lancer

LA	09.74 - 04.77	4G33	4	1.4	Distributor cap	09.74 - 11.75 12.75 - 04.77	GM536 GM347
					Distributor rotor		GM517
					Contact set	09.74 - 11.75 12.75 - 04.77	GM210 GM216
					Condensor	09.74 - 11.75	GM406
						12.75 - 04.77	GM409
					LB	04.77 - 03.79	4G33
Distributor rotor	GM517						
Contact set	GM216						
04.77 - 05.79	4G32	4	1.6	Distributor cap		GM347	
				Distributor rotor		GM517	
				Contact set		GM216	
LC	05.79 - 09.80	4G32	4	1.6	Distributor cap	GM347	
					Distributor rotor	GM517	
					Contact set	GM216	
					Condensor	GM556	

Valiant

R Series	01.62 - 02.62	Slant Six 225 cu.in	6	3.7	Distributor cap	GA103
					Distributor rotor	GA104
					Contact set	GA95V
					Condensor	GA60
S Series	03.62 - 04.63	Slant Six 225 cu.in	6	3.7	Distributor cap	GA103
					Distributor rotor	GA104
					Contact set	GA95V
					Condensor	GA60
AP6	03.65 - 02.66	Slant Six 225 cu.in	6	3.7	Distributor cap	GB75
					Distributor rotor	GB73
					Contact set	GB529
					Condensor	GB522
	273 cu.in	8	4.4	Distributor cap	GA039	
				Distributor rotor	GA104	
				Contact set	GA95V	
				Condensor	GA60	
VC	03.66 - 02.67	273 cu.in	8	4.4	Distributor cap	GA039
					Distributor rotor	GA104
					Contact set	GA95V
					Condensor	GA60
	03.66 - 09.67	Slant Six 225 cu.in	6	3.7	Distributor cap	GB75
					Distributor rotor	GB73
					Contact set	GB529
					Condensor	GB522



		Type	Cyl.	/Room	Product	Filtered Data	Bosch Part Number	Special Cases
VE	10.67 - 02.69	Slant Six 225 cu.in	6	3.7	Distributor cap		GB75	
					Distributor rotor		GB73	
					Contact set		GB529	
					Condensor		GB522	
	273 cu.in	8	4.4	Distributor cap		GA039		
				Distributor rotor		GA104		
				Contact set		GA95V		
				Condensor		GA60		
VF	03.69 - 04.70	Slant Six 225 cu.in	6	3.7	Distributor cap		GB75	
					Distributor rotor		GB73	
					Contact set		GB529	
					Condensor		GB522	
	318 cu.in	8	5.2	Distributor cap		GL665		
				Distributor rotor		GL854		
				Contact set		GL27V		
				Condensor		GL103		
VG	05.70 - 05.71	Hemi 215 cu.in	6	3.5	Distributor cap		GB539	
					Distributor rotor		GB502	
					Contact set		GB534	
					Condensor		GB538	
	Hemi 245 cu.in	6	4.0	Distributor cap		GB539		
				Distributor rotor		GB502		
				Contact set		GB534		
				Condensor		GB538		
	318 cu.in	8	5.2	Distributor cap		GL665		
				Distributor rotor		GL854		
				Contact set		GL27V		
				Condensor		GL103		
VH	06.71 - 03.73	Hemi 245 cu.in	6	4.0	Distributor cap		GB539	
					Distributor rotor		GB502	
					Contact set		GB534	
					Condensor		GB538	
	Hemi 265 cu.in	6	4.3	Distributor cap		GB539		
				Distributor rotor		GB502		
				Contact set		GB534		
				Condensor		GB538		
	318 cu.in	8	5.2	Distributor cap		GL665		
				Distributor rotor		GL854		
				Contact set		GL27V		
				Condensor		GL103		
VJ	04.73 - 10.75	Hemi 215 cu.in	6	3.5	Distributor cap		GB539	
					Distributor rotor		GB502	
					Contact set		GB534	
					Condensor		GB538	
	Hemi 245 cu.in	6	4.0	Distributor cap		GB539		
				Distributor rotor		GB502		
				Distributor cap		GB539		
				Distributor rotor		GB502		
	Hemi 265 cu.in	6	4.3	Distributor cap		GB539		
				Distributor rotor		GB502		
				Distributor cap		GB539		
				Distributor rotor		GB502		
318 cu.in	8	5.2	Distributor cap		GB926			
			Distributor rotor		GB536			
			Distributor cap		GB539			
			Distributor rotor		GB502			
VK	11.75 - 10.76	Hemi 215 cu.in	6	3.5	Distributor cap		GB539	
					Distributor rotor		GB502	
					Contact set		GB534	
					Condensor		GB538	
	Hemi 245 cu.in	6	4.0	Distributor cap		GB539		
				Distributor rotor		GB502		
				Distributor cap		GB539		
				Distributor rotor		GB502		
	Hemi 265 cu.in	6	4.3	Distributor cap		GB539		
				Distributor rotor		GB502		
				Distributor cap		GB539		
				Distributor rotor		GB502		
318 cu.in	8	5.2	Distributor cap		GB926			
			Distributor rotor		GB536			
			Distributor cap		GB926			
			Distributor rotor		GB536			
360 cu.in	8	5.9	Distributor cap		GB926			
			Distributor rotor		GB536			
			Distributor cap		GB539			
			Distributor rotor		GB502			
CL	11.76 - 10.78	Hemi 245 cu.in	6	4.0	Distributor cap		GB539	
					Distributor rotor		GB502	



					Product			
		Type	Cyl.	/Room		Fitment Data	Bosch Part Number	Special Cases

◀ CHRYSLER

CL	11.76 - 10.78	Hemi 265 cu.in	6	4.3	Distributor cap	GB539	
					Distributor rotor	GB502	
		318 cu.in	8	5.2	Distributor cap	GB926	
					Distributor rotor	GB536	
CM	11.78 - 10.80	318 cu.in	8	5.2	Distributor cap	GB926	
					Distributor rotor	GB536	
	11.78 - 08.81	Hemi 245 cu.in	6	4.0	Distributor cap	GB539	
					Distributor rotor	GB502	
		Hemi 265 cu.in	6	4.3	Distributor cap	GB539	
					Distributor rotor	GB502	

Valiant Charger

VH	08.71 - 03.73	Hemi 215 cu.in	6	3.5	Distributor cap	GB539				
					Distributor rotor	GB502				
					Contact set	GB534				
					Condensor	GB538				
				Hemi 245 cu.in	6	4.0	Distributor cap	GB539		
							Distributor rotor	GB502		
							Contact set	GB534		
							Condensor	GB538		
				Hemi 265 cu.in	6	4.3	Distributor cap	GB539		
							Distributor rotor	GB502		
							Contact set	GB534		
							Condensor	GB538		
		318 cu.in	8	5.2	Distributor cap	GL665				
					Distributor rotor	GL854				
					Contact set	GL27V				
					Condensor	GL103				
VJ	04.73 - 10.75	Hemi 215 cu.in	6	3.5	Distributor cap	GB539				
							Distributor rotor	GB502		
							Contact set	GB534		
							Condensor	GB538		
				Hemi 245 cu.in	6	4.0	Distributor cap	GB539		
							Distributor rotor	GB502		
							Distributor cap	GB539		
							Distributor rotor	GB502		
				Hemi 265 cu.in	6	4.3	Distributor cap	GB539		
							Distributor rotor	GB502		
							Distributor cap	GB539		
							Distributor rotor	GB502		
		318 cu.in	8	5.2	Distributor cap	GB926				
					Distributor rotor	GB536				
	01.74 - 10.75				360 cu.in	8	5.9	Distributor cap	GB926	
								Distributor rotor	GB536	
VK	11.75 - 10.76	318 cu.in	8	5.2	Distributor cap	GB926				
					Distributor rotor	GB536				
		360 cu.in	8	5.9	Distributor cap	GB926				
					Distributor rotor	GB536				
CL	11.76 - 10.78	318 cu.in	8	5.2	Distributor cap	GB926				
							Distributor rotor	GB536		

Valiant Pacer

VG	05.70 - 05.71	Hemi 245 cu.in	6	4.0	Distributor cap	GB539			
							Distributor rotor	GB502	
							Contact set	GB752	
							Condensor	GB538	
VH	06.71 - 03.73	Hemi 245 cu.in	6	4.0	Distributor cap	GB539			
							Distributor rotor	GB502	
							Contact set	GB752	
							Condensor	GB538	

CITROEN**AX**

	06.88 - 05.90	KDZ Kat. <TU3M> Org. →4923	4	1.4	Distributor cap	GB918	DUC
					Distributor rotor	GB939	DUC



BX									
X56	07.84 - 06.88	171C,171Z <XU5S>	4	1.6	Distributor cap	07.84 - 02.86	GB882	BO	
					Distributor rotor	07.84 - 02.86	GB838	BO	
	Org. →4157			4	1.6	Distributor cap	03.86 - 05.88	GB882	DUC
						Distributor rotor	03.86 - 05.88	GD703	DUC
						Distributor cap	05.88 - 06.88	GB918	DUC
						Distributor rotor	05.88 - 06.88	GB939	DUC
	10.84 - 06.86	159A,159Z <XU9S>	4	1.9	Distributor cap		GB882	BO	
					Distributor rotor		GB939	BO	
	03.86 - 12.94	DFZ Kat. <XU9J1/Z> Org. →4227	4	1.9	Distributor cap	03.86 - 05.88	GB882	DUC	
					Distributor rotor	03.86 - 05.88	GB939	DUC	
	CX								
		09.74 - 07.76	M22-617	4	2.2	Distributor cap		GD717	DUC
Distributor rotor							GD740	DUC	
Contact set							GD711	DUC	
Condensor							GD745	DUC	
06.77 - 06.82		M23-623	4	2.4	Distributor cap		GD717	DUC	
					Distributor rotor		GM702	MAR	
					Contact set		GD740	DUC	
					Condensor		GM700	MAR	
06.79 - 06.82		829 A5 Org. →3000	4	2.0	Distributor cap		GD702	DUC	
					Distributor rotor		GD740	DUC	
					Contact set		GD797	DUC	
					Condensor		GD798	DUC	
Org. 3001→			4	2.0	Distributor cap		GD703	DUC	
					Distributor rotor		GD738	DUC	
					Contact set		GD733	DUC	
					Condensor		GD798	DUC	
DS									
09.65 - 08.72			4	2.2	Distributor cap		GD729	DUC	
					Distributor rotor		GD740	DUC	
					Contact set		GD733	DUC	
					Condensor		GD798	DUC	
01.68 - 07.75			4	2.0	Distributor cap		GD729	DUC	
					Distributor rotor		GD740	DUC	
					Contact set		GD733	DUC	
					Condensor		GD798	DUC	
10.69 - 08.72			4	2.2	Distributor cap	09.70 - 08.72	GB633		
					Distributor rotor	09.70 - 08.72	GB782		
					Contact set	09.70 - 08.72	GB534		
					Condensor	09.70 - 08.72	GB724		
01.70 - 07.75			4	2.0	Distributor cap		GD729	DUC	
					Distributor rotor		GD740	DUC	
					Contact set		GD733	DUC	
					Condensor		GD798	DUC	
09.72 - 07.75			4	2.3	Distributor cap		GB633	BO	
					Distributor rotor		GD702	DUC	
					Distributor rotor		GB782	BO	
						GD799	DUC		



◀ CITROEN

09.72 - 07.75		4	2.3	Contact set		GB534	BO
				Condensor		GD733	DUC
						GB724	BO
						GD798	DUC

08.70 - 08.77	G10/610,612	4	1.0	Distributor cap		GD721	DUC
				Contact set		GD741	DUC
				Condensor		GD745	DUC
08.74 - 06.79	G12/611,612 <G12/611, /612>	4	1.2	Distributor cap	08.74 - 08.78	GD721	DUC
					09.78 - 06.79	GD703	DUC
				Distributor rotor			
					09.78 - 06.79	GD738	DUC
				Contact set		GD741	DUC
				Condensor		GD745	DUC

05.89 - 06.93	SFZ,S6A <ZPJ>	6	3.0	Distributor cap	06.89 - 06.93	GB938	
				Distributor rotor	06.89 - 06.93	GB884	
06.93 - 06.94	UFZ <ZPJ>	6	3.0	Distributor cap		GB938	
				Distributor rotor		GB884	
07.94 - 12.97	UFZ <ZPJ>	6	3.0	Distributor cap		GB938	
				Distributor rotor		GB884	

DAEWOO

08.94 - 08.97	G15MF	4	1.5	Distributor cap		GD697	
				Distributor rotor		GD698	
03.97 - 10.99	C20JE	4	2.0	Distributor cap		GD697	
				Distributor rotor		GD698	

DAIHATSU

06.89 - 07.97	HDE	4	1.6	Distributor cap		GD835	
				Distributor rotor		GD696	
06.89 - 12.99	HDE	4	1.6	Distributor cap		GD835	
				Distributor rotor		GD696	

Charade

10.83 - 03.87	CB	3	1.0	Distributor cap		GD678	
				Distributor rotor		GD527	
				Contact set		GD207	
				Condensor		GD206	
03.87 - 10.90	CB23	3	1.0	Distributor cap		GD678	
				Distributor rotor		GD527	
				Contact set		GD207	
				Condensor		GD209	
06.88 - 10.90	HCE	4	1.3	Distributor cap		GD835	
				Distributor rotor		GD696	
11.90 - 12.92	CB23	3	1.0	Distributor cap		GD678	
				Distributor rotor		GD527	
				Contact set		GD207	
				Condensor		GD209	
11.90 - 12.92	HCE	4	1.3	Distributor cap		GD835	
				Distributor rotor		GD696	
01.93 - 09.00	HCE	4	1.3	Distributor cap	05.93 - 05.98	GD922	

						Product			
		Type	Cyl.	/Room			Fitment Date	Bosch Part Number	Special Cases
G200	01.93 - 09.00	HCE	4	1.3	Distributor rotor		05.93 - 05.98	GD923	
G202	05.93 - 12.95	CB24	3	1.0	Distributor cap			GD678	
					Distributor rotor			GD527	
					Contact set			GD207	
					Condensor			GD209	
G200	05.93 - 04.96	HCE	4	1.3	Distributor cap			GD922	
					Distributor rotor			GD923	
G203	08.94 - 06.00	HEEG	4	1.5	Distributor cap			GD922	
					Distributor rotor			GD923	
Cuore L 55									
L55	10.80 - 08.85	AB30	2	0.5	Distributor cap			GD827	
					Distributor rotor			GD527	
					Contact set			GD207	
					Condensor			GD209	
Feroza									
F300	10.88 - 10.99	HDE	4	1.6	Distributor cap			GD916	
					Distributor rotor			GD696	
F310	05.92 - 10.99	HDE	4	1.6	Distributor cap			GD916	
					Distributor rotor			GD696	
Handi Van									
L60V	10.80 - 08.85	AD10	2	0.6	Distributor cap			GD827	
					Distributor rotor			GD527	
					Contact set			GD207	
					Condensor			GD209	
L80V	11.86 - 12.96	ED10	3	0.9	Distributor rotor			GD527	
Hijet									
S75	01.84 - 04.86	CB	3	1.0	Distributor cap			GD925	
					Distributor rotor			GD527	
					Contact set			GD207	
					Condensor			GD206	
S85	05.86 - 11.92	CB	3	1.0	Distributor cap			GD820	
					Distributor rotor			GD527	
					Contact set			GD207	
Mira									
L201	01.90 - 12.92	ED10	3	0.9	Distributor cap			GD926	
					Distributor rotor			GD928	
L200	01.92 - 12.95	EFEL	3	0.7	Distributor cap	01.92 - 12.92		GD926	
						01.93 - 12.95		GD927	
					Distributor rotor			GD937	
Centro	01.95 - 01.05	EFEL	3	0.7	Distributor cap			GD927	
					Distributor rotor			GD937	
Move									
L601	01.97 - 09.98	ED20	3	0.9	Distributor cap			GD927	
					Distributor rotor			GD937	
Rocky									
F8	04.84 - 01.89	3Y	4	2.0	Distributor cap			GD679	
					Distributor rotor			GD527	
					Contact set			GD207	
					Condensor			GD209	
	10.87 - 01.89	3YE	4	2.0	Distributor cap			GD813	
					Distributor rotor			GD689	



◀ DAIHATSU

Scat

F2	09.76 - 03.84	12R		4	1.6	Distributor cap		GD679
						Distributor rotor	11.79 - 03.84	GD527
						Condensor	09.76 - 06.80	GD205
							07.80 - 03.84	GD209

Sparcar 550

S60/V/T	03.77 - 06.83	AB20		2	0.5	Distributor rotor		GD527
						Contact set		GD207

DODGE

AT4

460/475	01.62 - 12.64	318 cu.in		8	5.2	Distributor cap		GA039	AUE
						Distributor rotor		GA104	AUE
						Contact set		GA95V	AUE
						Condensor		GA60	AUE
114/129/229/ 329/353	01.62 - 12.69	Slant Six 225 cu.in		6	3.7	Distributor cap		GB75	
						Distributor rotor		GB73	
						Contact set		GB529	
						Condensor		GB522	
460-6/475-6	01.62 - 12.69	Slant Six 225 cu.in		6	3.7	Distributor cap		GB75	
						Distributor rotor		GB73	
						Contact set		GB529	
						Condensor		GB522	
560-6/575-6	01.62 - 12.69	Slant Six 225 cu.in		6	3.7	Distributor cap		GB75	
						Distributor rotor		GB73	
						Contact set		GB529	
						Condensor		GB522	
760/775	01.62 - 12.73	361 cu.in		8	5.9	Distributor cap	01.62 - 12.69	GA039	AUE
							01.70 - 12.73	GL665	LUC
						Distributor rotor	01.62 - 12.69	GA104	AUE
							01.70 - 12.73	GL854	LUC
						Contact set	01.62 - 12.69	GA95V	AUE
							01.70 - 12.73	GL27V	LUC
						Condensor	01.62 - 12.69	GA60	AUE
							01.70 - 12.73	GL103	LUC
560/575	01.65 - 12.73	318 cu.in		8	5.2	Distributor cap	01.65 - 12.69	GA039	AUE
							01.70 - 12.73	GL665	LUC
						Distributor rotor	01.65 - 12.69	GA104	AUE
							01.70 - 12.73	GL854	LUC
						Contact set	01.65 - 12.69	GA95V	AUE
							01.70 - 12.73	GL27V	LUC
						Condensor	01.65 - 12.69	GA60	AUE
							01.70 - 12.73	GL103	LUC
660/675/690	01.65 - 12.73	318 cu.in		8	5.2	Distributor cap	01.65 - 12.69	GA039	AUE
							01.70 - 12.73	GL665	LUC
						Distributor rotor	01.65 - 12.69	GA104	AUE
							01.70 - 12.73	GL854	LUC
						Contact set	01.65 - 12.69	GA95V	AUE
							01.70 - 12.73	GL27V	LUC
						Condensor	01.65 - 12.69	GA60	AUE
							01.70 - 12.73	GL103	LUC
114/129/229/ 329/353	01.70 - 12.73	Hemi 245 cu.in		6	4.0	Distributor cap		GB539	
						Distributor rotor		GB502	
						Contact set		GB534	
						Condensor		GB538	
460-6/475-6	01.70 - 12.73	Hemi 245 cu.in		6	4.0	Distributor cap		GB539	
						Distributor rotor		GB502	
						Contact set		GB534	
						Condensor		GB538	
560-6/575-6	01.70 - 12.73	Hemi 245 cu.in		6	4.0	Distributor cap		GB539	
						Distributor rotor		GB502	





560-6/575-6	01.70 - 12.73	Hemi 245 cu.in	6	4.0	Contact set	GB534
					Condensor	GB538

D5N

216/218/226/228	01.73 - 12.79	Hemi 245 cu.in	6	4.0	Distributor cap	GB539
					Distributor rotor	GB502
					Contact set	01.73 - 06.76 GB534
					Condensor	01.73 - 06.76 GB538
		318 cu.in	8	5.2	Distributor cap	01.73 - 09.74 GL665 LUC
						10.74 - 12.79 GB926 BO
					Distributor rotor	01.73 - 09.74 GL854 LUC
						10.74 - 12.79 GB536 BO

326/328/356/358	01.73 - 12.79	Hemi 245 cu.in	6	4.0	Distributor cap	GB539
					Distributor rotor	GB502
					Contact set	01.73 - 06.76 GB534
					Condensor	01.73 - 06.76 GB538
		318 cu.in	8	5.2	Distributor cap	01.73 - 09.74 GL665 LUC
						10.74 - 12.79 GB926 BO
					Distributor rotor	01.73 - 09.74 GL854 LUC
						10.74 - 12.79 GB536 BO

466/468/476/478	01.73 - 12.79	Hemi 245 cu.in	6	4.0	Distributor cap	GB539
					Distributor rotor	GB502
					Contact set	01.73 - 06.76 GB534
					Condensor	01.73 - 06.76 GB538
		318 cu.in	8	5.2	Distributor cap	01.73 - 09.74 GL665 LUC
						10.74 - 12.79 GB926 BO
					Distributor rotor	01.73 - 09.74 GL854 LUC
						10.74 - 12.79 GB536 BO

566/568/576/578	01.73 - 12.79	Hemi 245 cu.in	6	4.0	Distributor cap	GB539
					Distributor rotor	GB502
					Contact set	01.73 - 06.76 GB534
					Condensor	01.73 - 06.76 GB538
		318 cu.in	8	5.2	Distributor cap	01.73 - 09.74 GL665 LUC
						10.74 - 12.79 GB926 BO
					Distributor rotor	01.73 - 09.74 GL854 LUC
						10.74 - 12.79 GB536 BO

668/678/698	01.73 - 12.79	318 cu.in	8	5.2	Distributor cap	01.73 - 09.74 GL665 LUC
						10.74 - 12.79 GB926 BO
					Distributor rotor	01.73 - 09.74 GL854 LUC
						10.74 - 12.79 GB536 BO

768/778/798	01.73 - 12.79	361 cu.in	8	5.9	Distributor cap	01.73 - 09.74 GL665 LUC
						10.74 - 12.79 GB926 BO
					Distributor rotor	01.73 - 09.74 GL854 LUC
						10.74 - 12.79 GB536 BO

Phoenix

DD6	04.67 - 08.69		8	5.2	Distributor cap	GL665
					Distributor rotor	GL854
					Contact set	GL27V
					Condensor	GL103
			6.3		Distributor cap	GL665
					Distributor rotor	GL854
					Contact set	GL27V
					Condensor	GL103

DE	09.69 - 09.70		8	5.2	Distributor cap	GL665
					Distributor rotor	GL854
					Contact set	GL27V
					Condensor	GL103
			6.3		Distributor cap	GL665
					Distributor rotor	GL854
					Contact set	GL27V
					Condensor	GL103

DF	10.70 - 09.71		8	5.2	Distributor cap	GL665
					Distributor rotor	GL854





◀ DODGE

DF	10.70 - 09.71		8	5.2	Contact set	GL27V	
					Condensor	GL103	
					6.3	Distributor cap	GL665
					Distributor rotor	GL854	
					Contact set	GL27V	
DG	10.71 - 09.72		8	5.2	Distributor cap	GL665	
					Distributor rotor	GL854	
					Contact set	GL27V	
					Condensor	GL103	
					6.3	Distributor cap	GL665
Distributor rotor	GL854						
Contact set	GL27V						
Condensor	GL103						

Utility

VE	10.67 - 02.69	Slant Six 225 cu.in	6	3.7	Distributor cap	GB75
					Distributor rotor	GB73
					Contact set	GB529
					Condensor	GB522
VG	05.70 - 05.71	Hemi 245 cu.in	6	4.0	Distributor cap	GB539
					Distributor rotor	GB502
					Contact set	GB534
					Condensor	GB538
VJ	04.73 - 10.75	Hemi 215 cu.in	6	3.5	Distributor cap	GB539
					Distributor rotor	GB502
					Contact set	GB534
					Condensor	GB538
	Hemi 245 cu.in	6	4.0	Distributor cap	GB539	
				Distributor rotor	GB502	
				Distributor cap	GB539	
				Distributor rotor	GB502	
				Hemi 265 cu.in	6	4.3
Distributor rotor	GB502					
VK	11.75 - 10.76	Hemi 215 cu.in	6	3.5	Distributor cap	GB539
					Distributor rotor	GB502
					Contact set	GB534
	Hemi 245 cu.in	6	4.0	Distributor cap	GB539	
				Distributor rotor	GB502	
				Hemi 265 cu.in	6	4.3
Distributor rotor	GB502					

FIAT

Argenta

81	06.81 - 12.82	132 C 3.000	4	2.0	Distributor rotor	GU703	MAR	
					06.81 - 05.83	132 FB..	4	1.6
						Distributor rotor	GM700	MAR
						Contact set	GM756	w/ AC,MAR
						Condensor	GM736	MAR
83	06.83 - 11.85	132 C..	4	2.0	Distributor rotor	GM701	MAR	
					Distributor rotor	GU703	Auto	

X1/9

	03.73 - 06.78	128 AS.000	4	1.3	Distributor cap	GM707	MAR
					Distributor rotor	GM708	MAR
					Contact set	GM756	MAR
					Condensor	GM781	MAR
	08.81 - 12.83	138 AS.000	4	1.5	Distributor cap	GD703	DUC
Distributor rotor					GM707	MAR	
Distributor rotor					GD740	DUC	
Contact set					GM708	MAR	
Contact set					GD709	DUC	
					GM756	MAR	

					Product			
	08.81 - 12.83	138 AS.000	4	1.5	Condensior		GD732	DUC
							GM781	MAR
124								
	11.69 - 08.73	132 AC.000	4	1.6	Distributor rotor		GM727	MAR
					Contact set		GM756	MAR
	01.73 - 07.75	132 AC 4000	4	1.8	Contact set		GM756	MAR
125								
	03.67 - 12.72	125 A.000	4	1.6	Distributor cap		GM713	MAR
					Distributor rotor		GU703	MAR
					Contact set		GU700	MAR
					Condensior		GU701	MAR
	11.68 - 12.72	125 B.000	4	1.6	Distributor rotor		GU703	MAR
					Contact set		GM756	MAR
127								
111	06.71 - 05.83	100 GL.000/048	4	0.9	Distributor cap		GD729	DUC
					Distributor rotor		GD799	DUC
					Contact set		GD707	DUC
	12.81 - 05.83	M 201 AA..	4	1.3	Distributor cap		GM702	MAR
					Distributor rotor		GM700	MAR
					Contact set		GM736	MAR
					Condensior		GM701	MAR
128								
	03.69 - 12.84	128 A1.000	4	1.3	Distributor cap	09.69 - 12.73	GD702	DUC
						09.69 - 12.74	GM729	MAR
						01.74 - 12.84	GD717	DUC
						01.75 - 12.84	GM702	MAR
					Distributor rotor	09.69 - 12.74	GM727	MAR
						09.69 - 12.84	GD799	DUC
						01.75 - 12.84	GM700	MAR
					Contact set	09.69 - 12.73	GD707	DUC
						09.69 - 12.74	GM763	MAR
						01.75 - 12.84	GM736	MAR
						01.76 - 12.84	GD707	DUC
					Condensior	09.69 - 12.73	GD798	DUC
						09.69 - 12.74	GM781	MAR
						01.75 - 12.84	GM701	MAR
						01.76 - 12.84	GD798	DUC
	09.69 - 12.84	128 A.000	4	1.1	Distributor cap	09.69 - 12.73	GD702	DUC
						09.69 - 12.74	GM729	MAR
						01.74 - 12.84	GD717	DUC
						01.75 - 12.84	GM702	MAR
					Distributor rotor		GD799	DUC
						09.69 - 12.74	GM727	MAR
						01.75 - 12.84	GM700	MAR
					Contact set	09.69 - 12.73	GD707	DUC
						09.69 - 12.74	GM763	MAR
						01.75 - 12.84	GM736	MAR
						01.76 - 12.84	GD707	DUC
					Condensior	09.69 - 12.73	GD798	DUC
						09.69 - 12.74	GM781	MAR
						01.75 - 12.84	GM701	MAR
						01.76 - 12.84	GD798	DUC
131								
	10.74 - 12.80	131 A1.000	4	1.6	Distributor cap		GD717	DUC
					Distributor rotor		GD799	DUC
							GU703	MAR

					Product			
		Type	Cyl.	/Room		Fitment Data	Bosch Part Number	Special Cases

◀ FIAT

10.74 - 12.80	131 A1.000	4	1.6	Contact set	GD707	DUC
					GM756	MAR
				Condensator	GD798	DUC
					GM786	MAR
03.78 - 01.84	131..	4	1.6	Distributor cap	GD717	DUC
				Distributor rotor	GD799	DUC
					GU703	FEM
					GU703	MAR
				Contact set	GD707	DUC
					GM756	FEM
					GM756	MAR
					GD798	DUC
				Condensator	GM786	FEM
					GM786	MAR
01.81 - 01.84	131 BD..	4	1.6	Distributor cap	GD717	DUC
				Distributor rotor	GD799	DUC
				Contact set	GD707	DUC
				Condensator	GD798	DUC

132

05.72 - 05.81	132 C.000	4	1.6	Distributor cap	GD717	DUC	
					GM702	MAR	
				Distributor rotor	GD799	DUC	
					GM700	MAR	
					01.80 - 05.81	GU703	FEM
				Contact set	GD707	DUC	
					GM736	MAR	
					01.80 - 05.81	GM756	FEM
				Condensator	GD798	DUC	
					GM701	MAR	
					01.80 - 05.81	GM786	FEM
					GM786	MAR	
03.77 - 05.81	132 C 2.000	4	2.0	Distributor rotor	GU703	MAR	

FORD

Bronco

03.81 - 08.85	W	6	4.1	Distributor cap	GB834	
				Distributor rotor	GB786	
	351Culn	8	5.8	Distributor cap	GB926	
				Distributor rotor	GB786	
09.85 - 10.87	T	8	4.9	Distributor cap	GM805	
				Distributor cap spacer	GM856	
				Distributor rotor	GM806	

Capri

GT 1600	05.69 - 01.70	F <OHV KL16L>	4	1.6	Distributor cap	GA192	AUE
						GL278	LUC
					Distributor rotor	GA77	AUE
						GL256	LUC
					Contact set	GA61	AUE
						GL19	LUC
					Condensator	GF82V	AUE
						GL103	LUC
Mk I	05.69 - 11.72	D <OHV KL16L>	4	1.6	Distributor cap	GA192	AUE
						GL278	LUC
					Distributor rotor	GA77	AUE
						GL256	LUC
					Contact set	GA61	AUE
						GL19	LUC
					Condensator	GF82V	AUE
						GL103	LUC
3000 GT	02.70 - 11.72	P	6	3.0	Distributor cap	GL1	
					Distributor rotor	GA77	



3000 GT	02.70 - 11.72	P		6	3.0	Contact set		GA83V	
						Condensor		GA61	
Capri Convertible									
SA	10.89 - 09.90	F		4	1.6	Distributor cap		GM561	
						Distributor rotor		GM562	
SA II	10.90 - 03.92	D		4	1.6	Distributor cap		GM847	
						Distributor rotor		GM562	
		T		4	1.6	Distributor cap		GM832	
						Distributor rotor		GM564	
SC	04.92 - 07.93	D		4	1.6	Distributor cap		GM847	
						Distributor rotor		GM562	
	07.92 - 07.93	T		4	1.6	Distributor cap		GM832	
						Distributor rotor		GM564	
SE	08.93 - 07.94	D		4	1.6	Distributor cap		GM847	
						Distributor rotor		GM562	
		T		4	1.6	Distributor cap		GM832	
						Distributor rotor		GM564	
Corsair									
UA	09.88 - 08.92	CA20E		4	2.0	Distributor cap		GB872	
						Distributor rotor		GB873	
		KA24E		4	2.4	Distributor cap		GM842	
						Distributor rotor		GH673	
Cortina									
TC	08.71 - 09.74	D		4	1.6	Distributor cap	08.71 - 12.72	GA192	AUE
							01.73 - 09.74	GL278	LUC
						Distributor rotor	08.71 - 12.72	GA77	AUE
							01.73 - 09.74	GL256	LUC
						Contact set	08.71 - 12.72	GF82V	AUE
							01.73 - 09.74	GL19	LUC
						Condensor	08.71 - 12.72	GA61	AUE
							01.73 - 09.74	GL103	LUC
		J		4	2.0	Distributor cap	01.73 - 09.74	GL278	LUC
						Distributor rotor		GA77	AUE
							01.73 - 09.74	GL256	LUC
						Contact set		GA83V	AUE
							01.73 - 09.74	GL19	LUC
						Condensor		GA61	AUE
							01.73 - 09.74	GL103	LUC
	08.72 - 09.74	E, G		6	3.3	Distributor cap		GB539	
						Distributor rotor		GB502	
						Contact set		GB534	
						Condensor		GB530	
		J, L		6	4.1	Distributor cap		GB539	
						Distributor rotor		GB502	
						Contact set		GB534	
						Condensor		GB530	
TD	10.74 - 05.77	E, G		6	3.3	Distributor cap		GB539	
						Distributor rotor	10.74 - 10.75	GB502	
							11.75 - 05.77	GB787	
						Contact set		GB534	
						Condensor		GB530	
		J, L		6	4.1	Distributor cap		GB539	
						Distributor rotor	10.74 - 10.75	GB502	
							11.75 - 05.77	GB787	
						Contact set		GB534	
						Condensor		GB530	
		R, J		4	2.0	Distributor cap	10.74 - 06.76	GA192	AUE
							07.76 - 05.77	GB739	BO



◀ FORD

Code	Year Range	Type	Cyl	/Room	Product	Filter Data	Bosch Part Number	Special Cases	
TD	10.74 - 05.77	R, J	4	2.0	Distributor rotor	10.74 - 06.76	GA77	AUE	
						07.76 - 05.77	GB782	BO	
					Contact set	10.74 - 06.76	GA83V	AUE	
						07.76 - 05.77	GB534	BO	
					Condensor	10.74 - 06.76	GA61	AUE	
					07.76 - 05.77	GB809	BO		
TE	06.77 - 10.80	E, G	6	3.3	Distributor cap		GB539		
					Distributor rotor		GB787		
					Contact set		GB534		
					Condensor		GB530		
						4.1	Distributor cap		GB539
				Distributor rotor		GB787			
				Contact set		GB534			
				Condensor		GB530			
			R, J	4	2.0	Distributor cap		GB739	
						Distributor rotor		GB782	
				Contact set		GB534			
				Condensor		GB809			
TF	11.80 - 10.82	J	4	2.0	Distributor cap		GB739		
					Distributor rotor		GB782		
					Contact set		GB534		
					Condensor		GB809		
			V	6	3.3	Distributor cap		GB834	
						Distributor rotor		GB786	
			W	6	4.1	Distributor cap		GB834	
				Distributor rotor		GB786			

Courier

	01.79 - 02.82	VC	4	1.8	Distributor cap		GM347	
					Distributor rotor		GM533	
					Contact set		GM543	
					Condensor		GM544	
	02.82 - 03.85	VC	4	1.8	Distributor cap		GM347	
					Distributor rotor		GM533	
					Contact set		GM543	
					Condensor		GM544	
	09.82 - 08.85	MA	4	2.0	Distributor cap		GM347	
					Distributor rotor		GM533	
					Contact set		GM543	
					Condensor		GM544	
	01.85 - 11.89	FE	4	2.0	Distributor cap		GM557	
					Distributor rotor		GM838	
	09.85 - 08.88	FE	4	2.0	Distributor cap		GM557	
					Distributor rotor		GM838	
	09.86 - 08.90	AM	4	2.6	Distributor cap		GM557	
					Distributor rotor		GM533	
	12.86 - 11.89	F	4	2.6	Distributor cap		GM557	
					Distributor rotor		GM533	
	09.88 - 08.93	F2	4	2.2	Distributor cap		GM561	
					Distributor rotor		GM562	
	11.89 - 02.95	FE	4	2.0	Distributor cap		GM557	
					Distributor rotor		GM838	
PC	09.90 - 02.96	G6	4	2.6	Distributor cap		GM575	
					Distributor rotor		GM576	
	03.96 - 05.99	G6	4	2.6	Distributor cap		GM575	
					Distributor rotor		GM576	
PD	03.96 - 11.99	G6	4	2.6	Distributor cap		GM575	
					Distributor rotor		GM576	
	05.96 - 01.99	G6	4	2.6	Distributor cap		GM575	
					Distributor rotor		GM576	
PE	02.99 - 10.02	G6	4	2.6	Distributor cap		GM575	
					Distributor rotor		GM576	
PG	11.02 - 08.04	G6	4	2.6	Distributor cap		GM575	
					Distributor rotor		GM576	



					Product								
PH	09.04 - 01.06	G6	4	2.6	Distributor cap		GM575						
					Distributor rotor		GM576						
Econovan													
	01.80 - 12.84	NA	4	1.6	Distributor cap	01.80 - 12.80	GM347						
					Distributor rotor	01.81 - 12.84	GM557						
					Contact set		GM543						
					Condensor		GM544						
	01.84 - 02.97	F8	4	1.8	Distributor cap		GM554	Auto					
					Distributor rotor		GM561	Manual					
					Distributor rotor		GM555	Auto					
						01.84 - 10.86	GM838	Manual					
						11.86 - 02.97	GM562	Manual					
					Contact set		GM543	Manual					
	05.84 - 12.85	UC	4	1.4	Distributor cap		GM557						
					Distributor rotor		GM533						
Contact set						GM543							
Condensor						GM544							
JG	02.97 - 09.99	FE	4	2.0	Distributor cap		GM561						
					Distributor rotor		GM562						
JH	10.99 - 11.02	FE	4	2.0	Distributor cap		GM561						
					Distributor rotor		GM562						
	11.02 - 11.05	FE	4	2.0	Distributor cap		GM575						
					Distributor rotor		GM576						
					F8	4	1.8	Distributor cap		GM575			
								Distributor rotor		GM576			
Escort													
Mk I	03.70 - 12.71	Kent	4	1.1	Distributor cap		GF98	AUE					
					Distributor rotor		GL278	LUC					
					Distributor rotor		GA77	AUE					
					Contact set		GL256	LUC					
					Contact set		GF82V	AUE					
					Condensor		GL19V	LUC					
	03.70 - 09.75	Kent	4	1.3	Distributor cap		GA192						
					Distributor rotor		GA77						
					Contact set		GF82V						
					Condensor		GA61						
					Mk II	10.75 - 06.77	Kent	4	1.3	Distributor cap		GA192	
										Distributor rotor		GA77	
Contact set		GF82V											
Condensor		GA61											
06.76 - 12.80	Kent	4	1.6	Distributor cap			GA192	AUE					
				Distributor rotor			GB739	BO					
07.77 - 12.80	Pinto	4	2.0	Distributor rotor		GA77	AUE						
				Contact set		GB603	BO						
				Contact set		GA82V	AUE						
				Condensor		GB534	BO						
				Condensor		GA61	AUE						
				Condensor		GB809	BO						
Mk II RS2000	01.79 - 12.80	Pinto	4	2.0	Distributor cap		GB739						
					Distributor rotor		GB782						
					Contact set		GB534						
					Condensor		GB809						





◀ FORD

Fairlane

Code	Year Range	Displacement	Cyls	Displacement (l)	Product	Part Number
ZA	03.67 - 02.68	200 cu.in	6	3.3	Distributor cap	GL91
					Distributor rotor	GL74
					Contact set	GL80V
					Condensor	GL75
	289 cu.in	8	4.7	Distributor cap	GF90	
				Distributor rotor	GF75	
				Contact set	GF82V	
				Condensor	GF79	
ZB	03.68 - 06.69	200 cu.in	6	3.3	Distributor cap	GB501
					Distributor rotor	GB502
					Contact set	GB529
					Condensor	GB530
	302 cu.in	8	4.9	Distributor cap	GF90	
				Distributor rotor	GF75	
				Contact set	GF82V	
				Condensor	GF79	
ZC	07.69 - 10.70	221 cu.in	6	3.6	Distributor cap	GB501
					Distributor rotor	GB502
					Contact set	GB529
					Condensor	GB530
	302 cu.in	8	5.0	Distributor cap	GB926	
				Distributor rotor	GB536	
				Contact set	GB700	
				Condensor	GB701	
351 cu.in	8	5.8	Distributor cap	GB926		
			Distributor rotor	GB536		
			Contact set	GB700		
			Condensor	GB701		
ZD	11.70 - 03.72	250 cu.in	6	4.1	Distributor cap	GB539
					Distributor rotor	GB502
					Contact set	GB534
					Condensor	GB530
	302 cu.in	8	4.9	Distributor cap	GF90	
				Distributor rotor	GF75	
				Contact set	GF82V	
				Condensor	GF79	
351 cu.in	8	5.8	Distributor cap	GB926		
			Distributor rotor	GB536		
			Contact set	GB700		
			Condensor	GB701		
ZF	04.72 - 10.73	250 cu.in	6	4.1	Distributor cap	GB539
					Distributor rotor	GB502
					Contact set	GB534
					Condensor	GB530
	302 cu.in	8	4.9	Distributor cap	GB926	
				Distributor rotor	GB536	
				Contact set	GB700	
				Condensor	GB530	
351 cu.in	8	5.8	Distributor cap	GB926		
			Distributor rotor	GB536		
			Contact set	GB700		
			Condensor	GB530		
ZG	11.73 - 04.76	250 cu.in	6	4.1	Distributor cap	GB539
					Distributor rotor	GB502
					Contact set	GB534
					Condensor	GB530
	302 cu.in	8	4.9	Distributor cap	GB926	
				Distributor rotor	GB536	
				Contact set	GB700	
				Condensor	GB530	
351 cu.in	8	5.8	Distributor cap	GB926		
			Distributor rotor	GB786		
			Contact set	GB786		
			Condensor	GB926		
ZH	05.76 - 04.79	302 cu.in	8	4.9	Distributor cap	GB926
					Distributor rotor	GB926





			Type	Cyl	/Room	Product	Fairmont Date	Bosch Part Number	Special Cases
ZH	05.76 - 04.79	302 cu.in	8	4.9		Distributor rotor		GB536	
						Contact set		GB700	
						Condensor		GB530	
		351 cu.in	8	5.8		Distributor cap		GB926	
						Distributor rotor		GB786	
ZJ	05.79 - 12.81	302 cu.in	8	4.9		Distributor cap		GB926	
						Distributor rotor		GB786	
		351 cu.in	8	5.8		Distributor cap		GB926	
						Distributor rotor		GB786	
	10.79 - 12.81	250 cu.in	6	4.1		Distributor cap		GB834	
						Distributor rotor		GB786	
ZK	01.82 - 09.84	250 cu.in	6	4.1		Distributor cap		GB834	
						Distributor rotor		GB786	
		302 cu.in	8	5.0		Distributor cap		GB926	
						Distributor rotor		GB786	
ZL	09.84 - 05.88	T	6	4.1		Distributor cap		GB862	
						Distributor cap spacer		GB863	
						Distributor rotor		GB865	
		W	6	4.1		Distributor cap		GB862	
						Distributor cap spacer		GB863	
						Distributor rotor		GB865	
							09.84 - 01.86	GB864	BHK
							02.86 - 05.88	GB865	BFK
NA	06.88 - 09.89	P	6	3.9		Distributor cap		GB862	
						Distributor cap spacer		GB863	
						Distributor rotor		GB865	
NA II	10.89 - 06.91	P	6	3.9		Distributor cap		GB862	
						Distributor cap spacer		GB863	
						Distributor rotor		GB865	
NC	07.91 - 02.92	P	6	3.9		Distributor cap		GB862	
						Distributor cap spacer		GB863	
						Distributor rotor		GB865	
		Z	8	5.0		Distributor cap		GM805	
						Distributor cap spacer		GM856	
						Distributor rotor		GM806	
NC II	03.92 - 02.95	H	6	4.0		Distributor cap		GB862	
						Distributor cap spacer		GB863	
						Distributor rotor		GB865	
		Z	8	5.0		Distributor cap		GM805	
						Distributor cap spacer		GM856	
						Distributor rotor		GM806	
NF	03.95 - 09.95	Z	8	5.0		Distributor cap		GM805	
						Distributor cap spacer		GM856	
						Distributor rotor		GM806	
NF II	10.95 - 08.96	Z	8	5.0		Distributor cap		GM805	
						Distributor cap spacer		GM856	
						Distributor rotor		GM806	
NL	09.96 - 02.99	H	6	4.0		Distributor cap		GB862	
						Distributor cap spacer		GB863	
						Distributor rotor		GB865	
		X	6	4.0		Distributor cap		GB862	
						Distributor cap spacer		GB863	
						Distributor rotor		GB865	
		Z	8	5.0		Distributor cap		GM805	
						Distributor cap spacer		GM856	
						Distributor rotor		GM806	

Falcon / Fairmont (inc G & XR Series)

XK	09.60 - 07.62	144 cu.in	6	2.4		Distributor cap		GL91	
						Distributor rotor		GL74	
						Contact set		GL80V	
						Condensor		GL75	
XL	08.62 - 01.64	144 cu.in	6	2.4		Distributor cap		GL91	
						Distributor rotor		GL74	
						Contact set		GL80V	





◀ FORD

		Type	Cyl.	/Room	Product		
XL	08.62 - 01.64	144 cu.in	6	2.4	Condensor	GL75	
		170 cu.in	6	2.8	Distributor cap	GL91	
					Distributor rotor	GL74	
					Contact set	GL80V	
					Condensor	GL75	
XM	02.64 - 03.65	144 cu.in	6	2.4	Distributor cap	GL91	
					Distributor rotor	GL74	
					Contact set	GL80V	
					Condensor	GL75	
		170 cu.in	6	2.8	Distributor cap	GL91	
	Distributor rotor				GL74		
	Contact set				GL80V		
	Condensor				GL75		
		200 cu.in	6	3.3	Distributor cap	GL91	
	Distributor rotor				GL74		
	Contact set				GL80V		
	Condensor				GL75		
XP	04.65 - 08.66	144 cu.in	6	2.4	Distributor cap	GL91	
					Distributor rotor	GL74	
					Contact set	GL80V	
					Condensor	GL75	
		170 cu.in	6	2.8	Distributor cap	GL91	
	Distributor rotor				GL74		
	Contact set				GL80V		
	Condensor				GL75		
		200 cu.in	6	3.3	Distributor cap	GL91	
	Distributor rotor				GL74		
	Contact set				GL80V		
	Condensor				GL75		
XR	09.66 - 02.68	170 cu.in	6	2.8	Distributor cap	GL91	
					Distributor rotor	GL74	
					Contact set	GL80V	
					Condensor	GL75	
		200 cu.in	6	3.3	Distributor cap	GL91	
	Distributor rotor				GL74		
	Contact set				GL80V		
	Condensor				GL75		
		289 cu.in	8	4.7	Distributor cap	GF90	
	Distributor rotor				GF75		
	Contact set				GF82V		
	Condensor				GF79		
XT	03.68 - 05.69	188 cu.in	6	3.1	Distributor cap	GB501	
					Distributor rotor	GB502	
					Contact set	GB529	
					Condensor	GB530	
		221 cu.in	6	3.6	Distributor cap	GB501	
	Distributor rotor				GB502		
	Contact set				GB529		
	Condensor				GB530		
		302 cu.in	8	5.0	Distributor cap	GF90	
	Distributor rotor				GF75		
	Contact set				GF82V		
	Condensor				GF79		
XW	06.69 - 12.70	188 cu.in	6	3.1	Distributor cap	GB501	
					Distributor rotor	GB502	
					Contact set	GB529	
					Condensor	GB530	
		302 cu.in	8	5.0	Distributor cap	GB926	BO
					GF90	AUE	
	Distributor rotor				GB536	BO	
					GF75	AUE	
				Contact set	GB700	BO	
					GF82V	AUE	





			Type	Cyl	Room	Product	Forward Data	Bosch Part Number	Special Cases
XW	06.69 - 12.70	302 cu.in	8	5.0	Condensor			GB701	BO
								GF79	AUE
	351 cu.in	8	5.8	Distributor cap				GB926	BO
								GF90	AUE
								GB536	BO
								GF75	AUE
								GB700	BO
302 cu.in	8	4.9	Distributor rotor				GB82V	AUE	
							GB701	BO	
XY	01.71 - 02.72	200 cu.in	6	3.3	Distributor cap			GB539	
								GB502	
								GB534	
								GB530	
	250 cu.in	6	4.1	Distributor cap				GB539	
								GB502	
								GB534	
	302 cu.in	8	4.9	Distributor cap				GB926	BO
								GF90	AUE
								GB536	BO
								GF75	AUE
	302 cu.in	8	4.9	Distributor rotor				GB700	BO
								GF82V	AUE
								GB701	BO
GF79								AUE	
351 cu.in	8	5.8	Distributor cap				GB926	BO	
							GF90	AUE	
							GB536	BO	
							GF75	AUE	
351 cu.in	8	5.8	Distributor rotor				GB700	BO	
							GF82V	AUE	
							GB701	BO	
							GF79	AUE	
XA	03.72 - 10.73	200 cu.in	6	3.3	Distributor cap			GB539	
								GB502	
								GB534	
								GB530	
	250 cu.in	6	4.1	Distributor cap				GB539	
								GB502	
								GB534	
	302 cu.in	8	4.9	Distributor rotor				GB530	
								GB926	
								GB536	
								GB700	
	351 cu.in	8	5.8	Distributor cap				GB530	
								GB926	
GB536									
GB700									
XB	11.73 - 06.76	200 cu.in	6	3.3	Distributor cap			GB539	
								GB502	
								GB534	
								GB530	
	250 cu.in	6	4.1	Distributor cap				GB539	
								GB502	
								GB534	
	302 cu.in	8	4.9	Distributor rotor				GB530	
								GB926	
								GB536	
								GB700	
	351 cu.in	8	5.8	Distributor cap				GB530	
GB926									
GB536									
GB700									
351 cu.in	8	5.8	Distributor rotor				GB530		
							GB926		
							GB536		
							GB700		





◀ FORD

		Type	Cyl.	/Room	Product	Filter Data	Bosch Part Number	Special Cases			
XB	11.73 - 06.76	351 cu.in	8	5.8	Contact set		GB700				
					Condensor		GB530				
XC	07.76 - 02.79	200 cu.in	6	3.3	Distributor cap		GB539				
					Distributor rotor		GB787				
					Contact set		GB534				
					Condensor		GB530				
	250 cu.in	6	4.1	Distributor cap		GB539					
				Distributor rotor		GB787					
				Contact set		GB534					
				Condensor		GB530					
	302 cu.in	8	4.9	Distributor cap		GB926					
				Distributor rotor		GB536					
				Contact set		GB700					
				Condensor		GB530					
351 cu.in	8	5.8	Distributor cap		GB926						
			Distributor rotor		GB786						
XD	03.79 - 02.82	200 cu.in	6	3.3	Distributor cap		GB539	GGZ			
							GB834	ALZ			
					Distributor rotor		GB786	ALZ			
							GB787	GGZ			
					Contact set		GB534	GGZ			
					Condensor		GB530	GGZ			
					250 cu.in	6	4.1	Distributor cap		GB539	GGZ
										GB834	ALZ
	Distributor rotor		GB786	ALZ							
			GB787	GGZ							
	302 cu.in	8	4.9	Distributor cap		GB539	GGZ				
						GB834	ALZ				
				Distributor rotor		GB786	ALZ				
						GB787	GGZ				
	351 cu.in	8	5.8	Distributor cap		GB926					
				Distributor rotor		GB786					
XE	03.82 - 09.84	200 cu.in	6	3.3	Distributor cap		GB834				
					Distributor rotor		GB786				
					250 cu.in	6	4.1	Distributor cap		GB834	
								Distributor rotor		GB786	
	302 cu.in	8	4.9	Distributor cap		GB926					
				Distributor rotor		GB786					
	351 cu.in	8	5.8	Distributor cap		GB926					
				Distributor rotor		GB786					
XF				09.84 - 10.87	T	6	4.1	Distributor cap		GB862	
								Distributor cap spacer		GB863	
	Distributor rotor		GB865								
	V	6	3.3					Distributor cap		GB862	
Distributor cap spacer						GB863					
Distributor rotor					09.84 - 01.86	GB864	BHK				
					02.86 - 10.87	GB865	BFK				
W	6	4.1	Distributor cap			GB862					
			Distributor cap spacer		GB863						
			Distributor rotor	09.84 - 01.86	GB864	BHK					
				02.86 - 10.87	GB865	BFK					
Y	6	4.1	Distributor cap		GB862						
			Distributor cap spacer		GB863						
			Distributor rotor		GB865						
			EA	03.88 - 12.88	A <CFI>	6	3.2	Distributor cap		GB862	
Distributor cap spacer		GB863									
Distributor rotor		GB865									
03.88 - 09.89	D <CFI>	6						3.9	Distributor cap		GB862
			Distributor cap spacer		GB863						
			Distributor rotor		GB865						
			P <MPFI>	6	3.9	Distributor cap			GB862		
Distributor cap spacer		GB863									
Distributor rotor		GB865									
EA II	10.89 - 06.91	D <CFI>				6	3.9	Distributor cap		GB862	





		Type	Cyl.	/Room	Product	Formed Date	Bosch Part Number	Special Cases
EA II	10.89 - 06.91	D <CFI>	6	3.9	Distributor cap spacer		GB863	
					Distributor rotor		GB865	
		P <MPFI>	6	3.9	Distributor cap		GB862	
EB	07.91 - 02.92	D <CFI>	6	3.9	Distributor cap spacer		GB863	
					Distributor rotor		GB865	
					Distributor cap		GB862	
	P <MPFI>	6	3.9	Distributor cap spacer		GB863		
				Distributor rotor		GB865		
				Distributor cap		GB862		
Z	8	5.0	Distributor cap		GM805			
			Distributor cap spacer		GM856			
			Distributor rotor		GM806			
EB II	03.92 - 07.93	H	6	4.0	Distributor cap		GB862	
					Distributor cap spacer		GB863	
					Distributor rotor		GB865	
	Z	8	5.0	Distributor cap		GM805		
				Distributor cap spacer		GM856		
				Distributor rotor		GM806		
	10.92 - 04.93	J	8	5.0	Distributor cap		GM805	
					Distributor cap spacer		GM856	
					Distributor rotor		GM806	
	10.92 - 07.93	X	6	4.0	Distributor cap		GB862	
					Distributor cap spacer		GB863	
					Distributor rotor		GB865	
ED	08.93 - 07.94	X	6	4.0	Distributor cap		GB862	
					Distributor cap spacer		GB863	
					Distributor rotor		GB865	
	08.93 - 08.94	H	6	4.0	Distributor cap		GB862	
					Distributor cap spacer		GB863	
					Distributor rotor		GB865	
	T	8	5.0	Distributor cap		GM805		
				Distributor cap spacer		GM856		
				Distributor rotor		GM806		
	Z	8	5.0	Distributor cap		GM805		
				Distributor cap spacer		GM856		
				Distributor rotor		GM806		
EF	09.94 - 09.95	Z	8	5.0	Distributor cap		GM805	
					Distributor cap spacer		GM856	
					Distributor rotor		GM806	
EF II	10.95 - 08.96	Z	8	5.0	Distributor cap		GM805	
					Distributor cap spacer		GM856	
					Distributor rotor		GM806	
EL	09.96 - 08.98	H	6	4.0	Distributor cap		GB862	
					Distributor cap spacer		GB863	
					Distributor rotor		GB865	
	X	6	4.0	Distributor cap		GB862		
				Distributor cap spacer		GB863		
				Distributor rotor		GB865		
	Z	8	5.0	Distributor cap		GM805		
				Distributor cap spacer		GM856		
				Distributor rotor		GM806		
	10.97 - 08.98	Z	8	5.0	Distributor cap		GM805	
					Distributor cap spacer		GM856	
					Distributor rotor		GM806	
Falcon Utility / Van (inc XR Series)								
XF	09.84 - 10.86	V	6	3.3	Distributor cap		GB862	
					Distributor cap spacer		GB863	
					Distributor rotor	09.84 - 01.86	GB864	BHK
09.84 - 02.93	N	6	4.1	Distributor cap	02.86 - 10.86	GB865	BFK	
				Distributor cap spacer		GB862		
				Distributor cap spacer		GB863		





◀ FORD

XF	09.84 - 02.93	N	6	4.1	Distributor rotor	09.84 - 01.86	GB864	BHK
						02.86 - 02.93	GB865	BFK
XG	03.93 - 03.96	H	6	4.0	Distributor cap		GB862	
					Distributor cap spacer		GB863	
					Distributor rotor		GB865	
	10.93 - 03.96	X	6	4.0	Distributor cap		GB862	
					Distributor cap spacer		GB863	
					Distributor rotor		GB865	
XH	04.96 - 05.99	H	6	4.0	Distributor cap		GB862	
					Distributor cap spacer		GB863	
					Distributor rotor		GB865	
	04.96 - 11.99	H	6	4.0	Distributor cap		GB862	
					Distributor cap spacer		GB863	
					Distributor rotor		GB865	

Festiva

WA	06.91 - 03.94	U	4	1.3	Distributor cap		GM839	
					Distributor rotor		GM840	
WB	04.94 - 12.96	U	4	1.3	Distributor cap		GM815	
					Distributor rotor		GM816	
WBII	02.97 - 12.97	E	4	1.5	Distributor cap		GM815	
					Distributor rotor		GM816	
		U	4	1.3	Distributor cap		GM815	
WF	01.98 - 12.00	E	4	1.5	Distributor cap		GM575	
					Distributor rotor		GM820	
		U	4	1.3	Distributor cap		GM575	
					Distributor rotor		GM820	

F100

	02.67 - 01.74	240 cu.in	6	3.9	Distributor cap		GL91	
					Contact set		GL80V	
					Condensor		GF79	
	02.74 - 01.78	L	6	4.1	Distributor cap		GB539	
					Distributor rotor		GB502	
					Contact set		GB534	
					Condensor		GB530	
	09.74 - 08.79		8	5.0	Distributor cap		GB926	
					Distributor rotor		GB536	
					Contact set		GB700	
					Condensor		GB530	
					Distributor rotor	09.76 - 11.78	GB536	
					Contact set	12.78 - 08.79	GB786	
					Contact set	09.76 - 11.78	GB534	
					Contact set	12.78 - 08.79	GB700	
					Condensor	12.78 - 08.79	GB530	
	02.78 - 02.81	H	6	4.1	Distributor cap		GB539	
					Distributor rotor		GB787	
					Contact set		GB534	
					Condensor		GB530	
	09.80 - 08.81		8	5.8	Distributor cap		GB926	
					Distributor rotor		GB786	
					Contact set		GB700	
					Condensor		GB530	
	03.81 - 09.85	W	6	4.1	Distributor cap		GB834	
					Distributor rotor		GB786	

F150

	09.86 - 08.91		8	5.0	Distributor cap		GM805	
					Distributor cap spacer		GM856	
					Distributor rotor		GM806	
	09.87 - 04.90		8	5.0	Distributor cap		GM805	

					Product			
--	--	--	--	--	----------------	--	--	--

09.87 - 04.90			8	5.0	Distributor cap spacer		GM856	
					Distributor rotor		GM806	
09.87 - 08.91			8	5.8	Distributor cap		GM805	
					Distributor cap spacer		GM856	
					Distributor rotor		GM806	
04.90 - 08.91			8	5.8	Distributor cap		GM805	
					Distributor cap spacer		GM856	
					Distributor rotor		GM806	
09.91 - 12.93			8	5.8	Distributor cap		GM805	
					Distributor cap spacer		GM856	
					Distributor rotor		GM806	

F250

02.67 - 01.74	240 cu.in		6	3.9	Distributor cap		GL91	
					Contact set		GL80V	
					Condensor		GF79	
02.74 - 01.78	L		6	4.1	Distributor cap		GB539	
					Distributor rotor		GB502	
					Contact set		GB534	
					Condensor		GB530	
02.78 - 02.81	H		6	4.1	Distributor cap		GB539	
					Distributor rotor		GB787	
					Contact set		GB534	
					Condensor		GB530	
09.79 - 08.85			8	5.8	Distributor cap		GB926	
					Distributor rotor		GB786	
					Contact set	09.79 - 02.81	GB700	
					Condensor	09.79 - 02.81	GB530	
03.81 - 09.85	W		6	4.1	Distributor cap		GB834	
					Distributor rotor		GB786	
09.87 - 08.91			8	5.8	Distributor cap		GM805	
					Distributor cap spacer		GM856	
					Distributor rotor		GM806	

F350

02.67 - 01.74	240 cu.in		6	3.9	Distributor cap		GL91	
					Contact set		GL80V	
					Condensor		GF79	
02.74 - 01.78	L		6	4.1	Distributor cap		GB539	
					Distributor rotor		GB502	
					Contact set		GB534	
					Condensor		GB530	
02.78 - 02.81	H		6	4.1	Distributor cap		GB539	
					Distributor rotor		GB787	
					Contact set		GB534	
					Condensor		GB530	
03.81 - 09.85	W		6	4.1	Distributor cap		GB834	
					Distributor rotor		GB786	
09.83 - 12.85			8	5.8	Distributor cap		GB926	
					Distributor rotor		GB786	
09.84 - 12.85			8	5.8	Distributor cap		GB926	
					Distributor rotor		GB786	
09.87 - 08.91			8	5.8	Distributor cap		GM805	
					Distributor cap spacer		GM856	
					Distributor rotor		GM806	
09.91 - 12.93			8	5.8	Distributor cap		GM805	
					Distributor cap spacer		GM856	
					Distributor rotor		GM806	

Galaxie

06.64 - 12.65	289 cu.in		8	4.7	Distributor cap		GF90	
					Distributor rotor		GF75	
					Contact set		GF82V	





◀ FORD

	06.64 - 12.65	289 cu.in	8	4.7	Condensor	GF79
	06.64 - 06.73	390 cu.in	8	6.4	Distributor cap	GF90
					Distributor rotor	GF75
					Contact set	GF82V
					Condensor	GF79

Landau

P6	08.73 - 09.76	351 cu.in	8	5.8	Distributor cap	GB926
					Distributor rotor	GB536
					Contact set	GB700
					Condensor	GB530

Laser

KA	02.81 - 11.82	C	4	1.3	Distributor cap	GM347	
					Distributor rotor	GM533	
					Contact set	GM543	
					Condensor	GM544	
		K	4	1.5	Distributor cap	GM347	
	Distributor rotor				GM533		
	Contact set				GM543		
		R	4	1.5	Distributor cap	GM347	
	Distributor rotor				GM533		
	Contact set				GM543		
	KB	12.82 - 09.85	C	4	1.3	Distributor cap	GM554
						Distributor rotor	GM555
K			4	1.5	Distributor cap	GM554	
					Distributor rotor	GM555	
R			4	1.5	Distributor cap	GM554	
					Distributor rotor	GM555	
KC	10.85 - 09.87	B	4	1.6	Distributor cap	GM817	
					Distributor rotor	GM818	
		F	4	1.6	Distributor cap	GM817	
					Distributor rotor	GM818	
		U	4	1.3	Distributor cap	GM569	
					Distributor rotor	GM555	
U	4	1.3	Distributor cap	GM569			
			Distributor rotor	GM555			
KE	10.87 - 03.89	U	4	1.3	Distributor cap	GM569	
					Distributor rotor	GM555	
	10.87 - 02.90	B	4	1.6	Distributor cap	GM817	
					Distributor rotor	GM818	
		F	4	1.6	Distributor cap	GM561	
					Distributor rotor	GM562	
T	4	1.6	Distributor cap	GM832			
			Distributor rotor	GM564			
KE II	02.90 - 09.94	B	4	1.6	Distributor cap	GM573	
					Distributor rotor	GM574	
KF	03.90 - 09.91	B	4	1.6	Distributor cap	GM573	
					Distributor rotor	GM574	
		C	4	1.8	Distributor cap	GM578	
					Distributor rotor	GM576	
		N	4	1.8	Distributor cap	GM575	
					Distributor rotor	GM576	
	06.90 - 09.91	H	4	1.8	Distributor cap	GM578	
					Distributor rotor	GM576	
KH	10.91 - 09.92	B	4	1.6	Distributor cap	GM573	
					Distributor rotor	GM574	
		C	4	1.8	Distributor cap	GM578	
					Distributor rotor	GM576	
		H	4	1.8	Distributor cap	GM578	
					Distributor rotor	GM576	
		N	4	1.8	Distributor cap	GM575	



			Type	Cyl	/Room	Product	Fitment Date	Bosch Part Number	Special Cases					
KH	10.91 - 09.92	N	4	1.8		Distributor rotor		GM576						
KH II	10.92 - 07.93	H	4	1.8		Distributor cap		GM578						
						Distributor rotor		GM576						
	10.92 - 09.94	B	4	1.6		Distributor cap		GM573						
							Distributor rotor		GM574					
						C	4	1.8		Distributor cap		GM578		
										Distributor rotor		GM576		
N	4	1.8		Distributor cap		GM575								
				Distributor rotor		GM576								
KJ	10.94 - 11.96	B	4	1.6		Distributor cap		GM815						
						Distributor rotor		GM816						
						N	4	1.8		Distributor cap		GM815		
										Distributor rotor		GM816		
KJ II	12.96 - 12.97	B	4	1.6		Distributor cap		GM815						
						Distributor rotor		GM816						
						N	4	1.8		Distributor cap		GM815		
										Distributor rotor		GM816		
KJ III	12.97 - 03.99	B	4	1.6		Distributor cap		GM815						
						Distributor rotor		GM816						
						N	4	1.8		Distributor cap		GM815		
										Distributor rotor		GM816		
LTD														
FA	08.73 - 09.76	351 cu.in	6	5.8		Distributor cap		GB926						
						Distributor rotor		GB536						
						Contact set		GB700						
						Condensor		GB530						
FB	09.76 - 05.79	351 cu.in	6	5.8		Distributor cap		GB926						
						Distributor rotor		GB786						
FC	06.79 - 02.82	250 cu.in	6	4.1		Distributor cap		GB539	GGZ					
						Distributor rotor		GB834	ALZ					
						Distributor rotor		GB786	ALZ					
						Contact set		GB787	GGZ					
		Condensor		GB534	GGZ									
		351 cu.in	8	5.8			Distributor cap		GB926					
							Distributor rotor		GB786					
							FD	03.82 - 09.84	250 cu.in	6	4.1		Distributor cap	
Distributor rotor													GB786	
302 cu.in	8	4.9				Distributor cap		GB926						
						Distributor rotor		GB786						
						Distributor cap		GB926						
Distributor rotor		GB786												
FE	09.84 - 05.88	T	6	4.1		Distributor cap		GB862						
						Distributor cap spacer		GB863						
						Distributor rotor		GB865						
DA	06.88 - 09.89	P	6	3.9		Distributor cap		GB862						
						Distributor cap spacer		GB863						
						Distributor rotor		GB865						
DA II	10.89 - 06.91	P	6	3.9		Distributor cap		GB862						
						Distributor cap spacer		GB863						
						Distributor rotor		GB865						
DC	07.91 - 02.92	P	6	3.9		Distributor cap		GB862						
						Distributor cap spacer		GB863						
						Distributor rotor		GB865						
	Z	8	5.0				Distributor cap		GM805					
							Distributor cap spacer		GM856					
							Distributor rotor		GM806					
							03.92 - 02.95	H	6	4.0			Distributor cap	
Distributor cap spacer		GB863												
Distributor rotor		GB865												
DC II	03.92 - 02.95	Z	8	5.0		Distributor cap		GM805						
						Distributor cap spacer		GM856						
						Distributor rotor		GM806						





◀ FORD

DF	03.95 - 09.95	Z	8	5.0	Distributor cap	GM805
					Distributor cap spacer	GM856
					Distributor rotor	GM806
DF II	10.95 - 08.96	Z	8	5.0	Distributor cap	GM805
					Distributor cap spacer	GM856
					Distributor rotor	GM806
DL	09.96 - 05.99	H	6	4.0	Distributor cap	GB862
					Distributor cap spacer	GB863
					Distributor rotor	GB865
	Z	8	5.0	Distributor cap	GM805	
				Distributor cap spacer	GM856	
				Distributor rotor	GM806	

Maverick

	04.88 - 12.94	TB42	6	4.2	Distributor cap	GM810
					Distributor rotor	GM811

Meteor

GA	02.82 - 04.83	K	4	1.5	Distributor cap	02.82 - 12.82	GM347
						01.83 - 04.83	GM554
					Distributor rotor	02.82 - 12.82	GM533
						01.83 - 04.83	GM555
					Contact set	02.82 - 12.82	GM543
					Condensor	02.82 - 12.82	GM560
	R	4	1.5	Distributor cap	02.82 - 12.82	GM347	
					01.83 - 04.83	GM554	
				Distributor rotor	02.82 - 12.82	GM533	
					01.83 - 04.83	GM555	
				Contact set	02.82 - 12.82	GM543	
				Condensor	02.82 - 12.82	GM560	
GB	05.83 - 02.85	K	4	1.5	Distributor cap	GM554	
					Distributor rotor	GM555	
	05.83 - 09.85	R	4	1.5	Distributor cap	GM554	
					Distributor rotor	GM555	
GC	10.85 - 10.87	B	4	1.6	Distributor cap	GM817	
					Distributor rotor	GM818	
	F	4	1.6	Distributor cap	GM817		
				Distributor rotor	GM818		

Probe

	04.94 - 07.97	KL	6	2.5	Distributor cap	04.94 - 10.94	GM590
						11.94 - 07.97	GM586
					Distributor rotor	04.94 - 10.94	GM833
						11.94 - 07.97	GM834

Telstar

AR	05.83 - 08.85	J	4	2.0	Distributor cap	GM554
					Distributor rotor	GM555
AS	09.85 - 09.87	J	4	2.0	Distributor cap	GB852
					Distributor rotor	GB851
AT	10.87 - 10.89	H	4	2.0	Distributor cap	GM561
					Distributor rotor	GM562
	T	4	2.2	Distributor cap	GM563	
				Distributor rotor	GM564	
AV	01.90 - 10.91	T	4	2.2	Distributor cap	GM563
AX	01.92 - 08.94	N	4	2.0	Distributor cap	GM580
					Distributor rotor	GM579
U	6	2.5	Distributor cap	GM590		
			Distributor rotor	GM834		
	12.92 - 08.94	N	4	2.0	Distributor cap	GM580
					Distributor rotor	GM579
AY	09.94 - 11.96	N	4	2.0	Distributor rotor	GM837



AY	09.94 - 11.96	U	6	2.5	Distributor cap	GM586
					Distributor rotor	GM834

Telstar Turbo

AS	01.86 - 09.87	N <Turbo>	4	2.0	Distributor cap	GM554
					Distributor rotor	GM555
AT	10.87 - 10.89	T <Turbo>	4	2.2	Distributor cap	GM575
					Distributor rotor	GM576
AV	01.90 - 10.91	T <Turbo>	4	2.2	Distributor cap	GM575
					Distributor rotor	GM576

HILLMAN

Imp

	01.63 - 12.69		4	0.9	Distributor cap	GL268
					Distributor rotor	GL229
					Contact set	GL19
					Condensor	GL103

HOLDEN

Apollo

JK	08.89 - 07.91	3SFC <L4>	4	2.0	Distributor cap	GD840
					Distributor rotor	GD804
		3SFE <L4>	4	2.0	Distributor cap	GD828
					Distributor rotor	GD804
JL	08.91 - 02.93	3SFE <DOHC 16V MPFI>	4	2.0	Distributor cap	GD828
					Distributor rotor	GD804
		3SFE <L4>	4	2.0	Distributor cap	GD828
					Distributor rotor	GD804
JM	04.93 - 07.95	3VZFE <LA6>	6	3.0	Distributor cap	GD832
					Distributor rotor	GD833
					5SFE <LA4>	4
Distributor rotor	10.93 - 07.95 GD902					
JP	08.95 - 05.97	3VZFE <LA6>	6	3.0	Distributor cap	GD832
					Distributor rotor	GD833
		5SFE <LA4>	4	2.2	Distributor cap	GD902
					Distributor rotor	GD804

Astra

LB	08.84 - 03.86	E15	4	1.5	Distributor cap	08.84 - 01.85 GH506
					Distributor rotor	02.85 - 03.86 GH617
					Contact set	08.84 - 01.85 GH600
					Condensor	02.85 - 03.86 GH605
						08.84 - 01.85 GH203
LC	04.86 - 06.87	E16S	4	1.6	Distributor cap	GH617
					Distributor rotor	GH605
LD	07.87 - 07.89	16LF <L73>	4	1.6	Distributor cap	GD697
					Distributor rotor	GD698
					18LE <LV6>	4
	10.87 - 07.89	16LF <L73>	4	1.6	Distributor cap	GD697
					Distributor rotor	GD698
		18LE <LV6>	4	1.8	Distributor cap	GD697
					Distributor rotor	GD698

Barina

MB	02.85 - 08.86	G13A <LN5>	4	1.3	Distributor cap	GD695
					Distributor rotor	GD696
ML	09.86 - 12.88	G13A <LN5>	4	1.3	Distributor cap	GD695





◀ HOLDEN

ML	09.86 - 12.88	G13A <LN5>	4	1.3	Distributor rotor	GD696	
MF	01.89 - 08.91	G13B <LN5>	4	1.3	Distributor cap Distributor rotor	GM561 GM562	
MH	09.91 - 04.94	G13B <LN5> Chassis JSAE8MG6800148088→, JSAE8MS77001412256→ Chassis →JSAE8MG6800148087, →JSAE8MS77001412255	4	1.3	Distributor cap Distributor rotor Distributor cap Distributor rotor	GM573 GM822 GM561 GM562	
SB	04.94 - 07.97	C12NZ <L71>	4	1.2	Distributor cap Distributor rotor	GB948 GL965 GB899 GL958	BO LUC BO LUC
		C14NZ <LH6>	4	1.4	Distributor cap Distributor rotor	GB948 GL965 GB899 GL958	BO LUC BO LUC

Calibra

YE	09.91 - 07.95	C20NE <ML4>	4	2.0	Distributor cap Distributor rotor	GB927 GB928	
		C20XE <MT5>	4	2.0	Distributor cap Distributor rotor	GB927 GB899	
	09.91 - 10.97	C20LET <M23>	4	2.0	Distributor cap Distributor rotor	GB927 GB899	

Camira

JB	08.82 - 10.84	JH <L16>	4	1.6	Distributor cap Distributor rotor	GB819 GB838	BO BO
JD	11.84 - 02.86	JH <L16>	4	1.6	Distributor cap Distributor rotor	GB819 GB838	BO BO
	11.85 - 01.86	JU <LV6>	4	1.8	Distributor cap Distributor rotor	GD697 GD698	Delco Remy Delco Remy
	02.86 - 03.87	JC <LJ9>	4	1.8	Distributor cap Distributor rotor	GD697 GD698	Delco Remy Delco Remy
JE	04.87 - 09.89	JD <LE4>	4	2.0	Distributor cap Distributor rotor	GD697 GD698	Delco Remy Delco Remy

Caprice

VQ	03.90 - 10.91	VU	8	5.0	Distributor cap Distributor rotor	GB835 GB901	
VQ II	12.91 - 02.94	VU	8	5.0	Distributor cap Distributor rotor	GB835 GB901	
VR	03.94 - 08.94	VU	8	5.0	Distributor cap Distributor rotor	GB926 GB901	
VR II	09.94 - 04.95	VU	8	5.0	Distributor cap Distributor rotor	GB926 GB901	
VS	03.95 - 08.96	VU	8	5.0	Distributor cap Distributor rotor	GB926 GB901	
VS II	09.96 - 04.98	VU	8	5.0	Distributor cap Distributor rotor	GB926 GB901	
VS III	05.98 - 06.99	VU	8	5.0	Distributor cap Distributor rotor	GB926 GB901	

Combo

SB	02.96 - 06.97	C14NZ <2H6>	4	1.4	Distributor cap Distributor rotor	GB948 GL965 GB899 GL958	BO LUC BO LUC
-----------	---------------	-------------	---	-----	--------------------------------------	--------------------------------------------------------------	------------------------



Commodore / Calais

Model	Year Range	Displacement	Cyls	Room	Product	Part Number	Special Cases
VB	10.78 - 04.80	173 cu.in (Red)	6	2.8	Distributor cap	GB539	
					Distributor rotor	GB829	
					Contact set	GB534	
					Condensor	GB538	
	202 cu.in (Red)	6	3.3	Distributor cap	GB539		
				Distributor rotor	GB502		
				Contact set	GB534		
				Condensor	GB538		
	253 cu.in (Red)	8	4.2	Distributor cap	GB926		
				Distributor rotor	GB536		
				Contact set	GB534		
				Condensor	GB538		
308 cu.in (Red)	8	5.0	Distributor cap	GB926			
			Distributor rotor	GB536			
			Contact set	GB534			
			Condensor	GB538			
VC	04.80 - 10.81	Starfire	4	1.9	Distributor cap	GB820	
					Distributor rotor	GB787	
					Contact set	GB534	
					Condensor	GB538	
					Distributor cap	GB829	
	2.85L (Blue)	6	2.8	Distributor rotor	GB827		
				Distributor rotor	GB827		
	3.3L (Blue)	6	3.3	Distributor cap	GB829		
				Distributor rotor	GB827		
	4.2L (Blue)	8	4.2	Distributor cap	GB830		
				Distributor rotor	GB828		
	5.0L (Blue)	8	5.0	Distributor cap	GB830		
Distributor rotor				GB828			
VH	10.81 - 03.84	Starfire	4	1.9	Distributor cap	GB820	
					Distributor rotor	GB787	
					Contact set	GB534	
					Condensor	GB538	
					Distributor rotor	GB827	
		2.85L (Blue)	6	2.8	Distributor rotor	GB827	
					Distributor rotor	GB829	
		3.3L (Blue)	6	3.3	Distributor rotor	GB827	
					Distributor rotor	GB829	
		4.2L (Blue)	8	4.2	Distributor cap	GB830	
					Distributor rotor	GB828	
		5.0L (Blue)	8	5.0	Distributor cap	GB830	
Distributor rotor	GB828						
VK	02.84 - 12.85	VU	8	5.0	Distributor cap	GB830	
					Distributor rotor	GB828	
		3.3L EFI (Black)	6	3.3	Distributor cap	GB829	
					Distributor rotor	GB827	
		3.3L EFI (Black)	6	3.3	Distributor cap	GB829	
					Distributor rotor	GB827	
		3.3L EST (Black)	6	3.3	Distributor cap	GB829	
					Distributor rotor	GB856	
VL	01.86 - 07.88	RB30E	6	3.0	Distributor cap	GH618	HIT
					Distributor rotor	GM813	MIT
					Distributor rotor	GH619	HIT
					Distributor rotor	GM814	MIT
					Distributor cap	GH618	HIT
					Distributor rotor	GM813	MIT
	RB30ET <Turbo>	6	3.0	Distributor cap	GH618	HIT	
				Distributor rotor	GM813	MIT	
				Distributor rotor	GH619	HIT	
				Distributor rotor	GM814	MIT	
				Distributor cap	GH618	HIT	
				Distributor rotor	GM813	MIT	
07.86 - 07.88	VU	8	5.0	Distributor cap	GB830		
				Distributor rotor	GB828		
	VU, VJ	8	5.0	Distributor cap	GB830		
				Distributor rotor	GB828		
VN	08.88 - 02.90	VU	8	5.0	Distributor cap	GB926	
					Distributor rotor	GB901	



					Product			
		Type	Cyl.	/Room		Fitment Data	Busch Part Number	Special Cases

◀ HOLDEN

VN	08.88 - 09.91	VU	8	5.0	Distributor cap	GB835			
					Distributor rotor	GB901			
VN II	03.90 - 09.91	VU	8	5.0	Distributor cap	GB926			
					Distributor rotor	GB901			
VP	10.91 - 12.92	VU	8	5.0	Distributor cap	GB835			
					Distributor rotor	GB901			
					Eng. VU 612 774→	8	5.0	Distributor cap	GB926
					Eng. →VU 612 773	8	5.0	Distributor cap	GB835
VP II	02.93 - 06.93	VU	8	5.0	Distributor cap	GB835			
					Distributor rotor	GB901			
					Eng. VU 612 774→	8	5.0	Distributor cap	GB926
					Eng. →VU 612 773	8	5.0	Distributor cap	GB835
VR	07.93 - 08.94	VU	8	5.0	Distributor cap	GB926			
					Distributor rotor	GB901			
VR II	09.94 - 03.95	VU	8	5.0	Distributor cap	GB926			
					Distributor rotor	GB901			
VS	04.95 - 05.96	VU	8	5.0	Distributor cap	GB926			
					Distributor rotor	GB901			
VS II	06.96 - 07.97	VU	8	5.0	Distributor cap	GB926			
					Distributor rotor	GB901			
VT	09.97 - 05.99	VM High Performance <LB9>	8	5.0	Distributor cap	GB926			
		Distributor rotor			GB901				
		VM <LB9>	8	5.0	Distributor cap	GB926			
Distributor rotor	GB901								

Commodore Utility

VG	08.90 - 08.91	VU	8	5.0	Distributor cap	GB835
					Distributor rotor	GB901
VP	09.91 - 06.93	VU	8	5.0	Distributor cap	GB835
					Distributor rotor	GB901
VR	07.93 - 03.95	VU	8	5.0	Distributor cap	GB926
					Distributor rotor	GB901
VS	04.95 - 05.96	VU	8	5.0	Distributor cap	GB926
					Distributor rotor	GB901
VS II	06.96 - 07.97	VU	8	5.0	Distributor cap	GB926
					Distributor rotor	GB901
VS III	05.98 - 12.00	VU	8	5.0	Distributor cap	05.98 - 11.98 GB926
					Distributor rotor	GB901

Drover

QB	02.85 - 12.87	G13A <H.C.L14 / O.H.C>	4	1.3	Distributor cap	GD679
					Distributor rotor	GD527

Gemini

TX	03.75 - 03.77	G161Z	4	1.6	Distributor cap	GD366
					Distributor rotor	GD527
					Contact set	GD214
					Condensor	GD209
TC	03.77 - 04.78	G161Z	4	1.6	Distributor cap	GD366
					Distributor rotor	GD527
					Contact set	GD214
					Condensor	GD209
TD	04.78 - 10.79	G161Z	4	1.6	Distributor cap	GD366
					Distributor rotor	GD527
					Contact set	GD214
					Condensor	GD209
TE	10.79 - 03.82	G161Z	4	1.6	Distributor cap	GD366
					Distributor rotor	GD527
					Contact set	GD214



TE	10.79 - 03.82	G161Z	4	1.6	Condensor	GD209
TF	03.82 - 04.83	G161Z	4	1.6	Distributor cap	GD366
					Distributor rotor	GD527
					Contact set	GD214
					Condensor	GD209
TG	03.83 - 04.83	G161Z	4	1.6	Distributor cap	GD366
					Distributor rotor	GD527
					Contact set	GD214
					Condensor	GD209
RB	04.85 - 06.87	4XC1	4	1.5	Distributor cap	GD692
					Distributor rotor	GD527
		4XC1 <LN6>	4	1.5	Distributor cap	GD692
					Distributor rotor	GD527

Holden (Grey Motor)

FX	11.48 - 10.53	132 cu.in (Grey)	6	2.2	Distributor cap	GD86
					Distributor rotor	GD85
					Contact set	GD87
					Condensor	GD11E
FJ	10.53 - 07.56	132 cu.in (Grey)	6	2.2	Distributor cap	GB74
					Distributor rotor	GB73
					Contact set	GB504
					Condensor	GB61
FE	08.56 - 05.58	132 cu.in (Grey)	6	2.2	Distributor cap	GB74
					Distributor rotor	GB73
					Contact set	GB504
					Condensor	GB61
FC	06.58 - 12.59	132 cu.in (Grey)	6	2.2	Distributor cap	GB74
					Distributor rotor	GB73
					Contact set	GB504
					Condensor	GB61
FB	01.60 - 05.61	138 cu.in (Grey)	6	2.3	Distributor cap	GB74
					Distributor rotor	GB73
					Contact set	GB504
					Condensor	GB61
EK	06.61 - 07.62	138 cu.in (Grey)	6	2.3	Distributor cap	GB74
					Distributor rotor	GB73
					Contact set	GB504
					Condensor	GB61
EJ	08.62 - 08.63	138 cu.in (Grey)	6	2.3	Distributor cap	GB74
					Distributor rotor	GB73
					Contact set	GB504
					Condensor	GB61

Holden (Red Motor)

EH	09.63 - 02.65	149 cu.in (Red)	6	2.4	Distributor cap	GB501	
					Distributor rotor	GB502	
					Contact set	GB504	
					Condensor	GB503	
HD	03.65 - 04.66	149 cu.in (Red)	6	2.4	Distributor cap	GB501	BO
						GL269	LUC
					Distributor rotor	GB502	BO
						GL256	LUC
					Contact set	GB504	BO
						GL19V	LUC
					Condensor	GB503	BO
						GL103	LUC
		186 cu.in (Red)	6	3.0	Distributor cap	GB501	BO
						GL269	LUC
					Distributor rotor	GB502	BO
						GL256	LUC
			Contact set	GB504	BO		
				GL19V	LUC		





◀ HOLDEN

Model	Year Range	Displacement	Cyls	Room	Product	Part Number	Special Cases
HD	03.65 - 04.66	186 cu.in (Red)	6	3.0	Condensor	GB503	BO
						GL103	LUC
HR	05.66 - 12.67	161 cu.in (Red)	6	2.6	Distributor cap	GB501	BO
					Distributor rotor	GB502	BO
					Contact set	GB504	BO
					Condensor	GL19V	LUC
	186 cu.in (Red)	6	3.0	Distributor cap	GB503	BO	
				Distributor rotor	GL103	LUC	
				Contact set	GB501	BO	
				Condensor	GL269	LUC	
	186 cu.in (Red)	6	3.0	Distributor cap	GB502	BO	
				Distributor rotor	GL256	LUC	
				Contact set	GB504	BO	
				Condensor	GL19V	LUC	
186 cu.in (Red)	6	3.0	Distributor cap	GB503	BO		
			Distributor rotor	GL103	LUC		
			Contact set	GB501	BO		
			Condensor	GL269	LUC		

Jackaroo

UBS	02.81 - 12.86	G200Z	4	2.0	Distributor cap	GD366	
					Distributor rotor	GD527	
	08.85 - 06.88	4ZD1	4	2.3	Distributor cap	GD679	
					Distributor rotor	GD527	
	07.88 - 12.90	4ZE1	4	2.6	Distributor cap	GD811	
					Distributor rotor	GD812	

Kingswood

HK	01.68 - 05.69	161 cu.in (Red)	6	2.6	Distributor cap	GB501	BO
					Distributor rotor	GL269	LUC
					Contact set	GB502	BO
					Condensor	GL256	LUC
	186 cu.in (Red)	6	3.0	Distributor cap	GB504	BO	
				Distributor rotor	GL19V	LUC	
				Contact set	GB503	BO	
				Condensor	GL103	LUC	
	307 cu.in (Chev)	8	5.0	Distributor cap	GB501	BO	
				Distributor rotor	GL269	LUC	
				Contact set	GB502	BO	
				Condensor	GL256	LUC	
HT	05.69 - 07.70	161 cu.in (Red)	6	2.6	Distributor cap	GD607	
					Distributor rotor	GD659	
					Contact set	GD143V	
					Condensor	GD10	
	186 cu.in (Red)	6	3.0	Distributor cap	GB539	BO	
				Distributor rotor	GL269	LUC	
				Contact set	GB502	BO	
				Condensor	GL256	LUC	
	186 cu.in (Red)	6	3.0	Distributor cap	GB534	BO	
				Distributor rotor	GL19V	LUC	
				Contact set	GB538	BO	
				Condensor	GL103	LUC	
186 cu.in (Red)	6	3.0	Distributor cap	GB539	BO		
			Distributor rotor	GL269	LUC		
			Contact set	GB502	BO		
			Condensor	GL256	LUC		
186 cu.in (Red)	6	3.0	Distributor cap	GB534	BO		
			Distributor rotor	GL19V	LUC		
			Contact set	GB538	BO		
			Condensor	GL103	LUC		



		Type	Cyl.	/Room	Product	Filtered Data	Bosch Part Number	Special Cases			
HT	05.69 - 07.70	253 cu.in (Red)	8	4.2	Distributor cap		GB926				
					Distributor rotor		GB536				
					Contact set		GB534				
					Condensor		GB538				
	307 cu.in (Chev)	8	5.0	Distributor cap		GD607					
				Distributor rotor		GD659					
				Contact set		GD143V					
				Condensor		GD10					
	308 cu.in (Red)	8	5.0	Distributor cap		GB926					
				Distributor rotor		GB536					
				Contact set		GB534					
				Condensor		GB538					
HG	07.70 - 07.71	161 cu.in (Red)	6	2.6	Distributor cap		GB539	BO			
							GL269	LUC			
					Distributor rotor		GB502	BO			
							GL256	LUC			
					Contact set		GB534	BO			
							GL19V	LUC			
					Condensor		GB538	BO			
							GL103	LUC			
					Distributor cap		GB539	BO			
							GL269	LUC			
					Distributor rotor		GB502	BO			
							GL256	LUC			
	Contact set		GB534	BO							
			GL19V	LUC							
	Condensor		GB538	BO							
			GL103	LUC							
	253 cu.in (Red)	8	4.2	Distributor cap		GB926					
				Distributor rotor		GB536					
				Contact set		GB534					
				Condensor		GB538					
				308 cu.in (Red)	8	5.0	Distributor cap		GB926		
							Distributor rotor		GB536		
							Contact set		GB534		
							Condensor		GB538		
HQ				07.71 - 10.74	173 cu.in (Red)	6	2.8	Distributor cap		GB539	BO
										GL269	LUC
								Distributor rotor		GB502	
										GL256	LUC
	Contact set		GB534					BO			
			GL19V					LUC			
	Condensor		GB538					BO			
			GL103					LUC			
	Distributor cap		GB539					BO			
			GL269					LUC			
	Distributor rotor		GB502					BO			
			GL256					LUC			
	Contact set		GB534	BO							
			GL19V	LUC							
	Condensor		GB538	BO							
			GL103	LUC							
	253 cu.in (Red)	8	4.2	Distributor cap		GB926					
				Distributor rotor		GB536					
				Contact set		GB534					
				Condensor		GB538					
	308 cu.in (Red)	8	5.0	Distributor cap		GB926					
				Distributor rotor		GB536					
				Contact set		GB534					
				Condensor		GB538					
HJ	10.74 - 07.76	173 cu.in (Red)	6	2.8	Distributor cap		GB539				
					Distributor rotor		GB502				
					Contact set		GB534				
					Condensor		GB538				





◀ HOLDEN

		Type	Cyl.	/Room	Product	Filament Data	Bosch Part Number	Special Cases
HJ	10.74 - 07.76	202 cu.in (Red)	6	3.3	Distributor cap		GB539	
					Distributor rotor		GB502	
					Contact set		GB534	
					Condensor		GB538	
	253 cu.in (Red)	8	4.2	Distributor cap		GB926		
				Distributor rotor		GB536		
				Contact set		GB534		
				Condensor		GB538		
	308 cu.in (Red)	8	5.0	Distributor cap		GB926		
				Distributor rotor		GB536		
				Contact set		GB534		
				Condensor		GB538		
HX	07.76 - 10.77	173 cu.in (Red)	6	2.8	Distributor cap		GB539	
					Distributor rotor		GB502	
					Contact set		GB534	
					Condensor		GB538	
	202 cu.in (Red)	6	3.3	Distributor cap		GB539		
				Distributor rotor		GB502		
				Contact set		GB534		
				Condensor		GB538		
	253 cu.in (Red)	8	4.2	Distributor cap		GB926		
				Distributor rotor		GB536		
				Contact set		GB534		
				Condensor		GB538		
308 cu.in (Red)	8	5.0	Distributor cap		GB926			
			Distributor rotor		GB536			
			Contact set		GB534			
			Condensor		GB538			
HZ	10.77 - 12.79	173 cu.in (Red)	6	2.8	Distributor cap		GB539	
					Distributor rotor		GB502	
					Contact set		GB534	
					Condensor		GB538	
	202 cu.in (Red)	6	3.3	Distributor cap		GB539		
				Distributor rotor		GB502		
				Contact set		GB534		
				Condensor		GB538		
	253 cu.in (Red)	8	4.2	Distributor cap		GB926		
				Distributor rotor		GB536		
				Contact set		GB534		
				Condensor		GB538		
308 cu.in (Red)	8	5.0	Distributor cap		GB926			
			Distributor rotor		GB536			
			Contact set		GB534			
			Condensor		GB538			

Monaro

HK	07.68 - 05.69	161 cu.in (Red)	6	2.6	Distributor cap	GB539	BO
					Distributor rotor	GL269	LUC
					Contact set	GB502	BO
					Condensor	GL256	LUC
						GB534	BO
						GL19V	LUC
	186 cu.in (Red)	6	3.0	Distributor cap	GB538	BO	
				Distributor rotor	GL103	LUC	
				Contact set	GB539	BO	
				Condensor	GL269	LUC	
					GB502	BO	
					GL256	LUC	
307 cu.in (Chev)	8	5.0	Distributor cap	GB534	BO		
			Distributor rotor	GL19V	LUC		
				GB538	BO		
				GL103	LUC		
				GD607			
				GD659			



		Type	Cyl	/Room	Product	Fitment Date	Bosch Part Number	Special Cases
HK	07.68 - 05.69	307 cu.in (Chev)	8	5.0	Contact set		GD143V	
					Condensator		GD10	
	327 cu.in (Chev)	Distributor cap	8	5.4			GD607	
		Distributor rotor					GD659	
		Contact set					GD143V	
		Condensator				GD10		
HT	06.69 - 07.70	186 cu.in (Red)	6	3.0	Distributor cap		GB539	BO
							GL269	LUC
					Distributor rotor		GB502	BO
							GL256	LUC
					Contact set		GB534	BO
			Condensator		GL19V	LUC		
			Condensator		GB538	BO		
			GL103	LUC				
	253 cu.in (Red)	Distributor cap	8	4.2			GB926	
		Distributor rotor					GB536	
		Contact set					GB534	
		Condensator					GB538	
	350 cu.in (Chev)	Distributor cap	8	5.7			GD607	
		Distributor rotor					GD659	
		Contact set					GD143V	
Condensator						GD10		
01.70 - 07.70	308 cu.in (Red)	8	5.0	Distributor cap		GB926		
				Distributor rotor		GB536		
				Contact set		GB534		
				Condensator		GB538		
HG	08.70 - 06.71	186 cu.in (Red)	6	3.0	Distributor cap		GB539	BO
							GL269	LUC
					Distributor rotor		GB502	BO
							GL256	LUC
					Contact set		GB534	BO
			Condensator		GL19V	LUC		
			Condensator		GB538	BO		
			GL103	LUC				
	253 cu.in (Red)	Distributor cap	8	4.2			GB926	
		Distributor rotor					GB536	
		Contact set					GB534	
		Condensator					GB538	
	308 cu.in (Red)	Distributor cap	8	5.0			GB926	
		Distributor rotor					GB536	
		Contact set					GB534	
Condensator						GB538		
350 cu.in (Chev)	Distributor cap	8	5.7			GD607		
	Distributor rotor					GD659		
	Contact set					GD143V		
	Condensator					GD10		
HQ	07.71 - 09.74	173 cu.in (Red)	6	2.8	Distributor cap		GB539	BO
							GL269	LUC
					Distributor rotor		GB502	BO
							GL256	LUC
					Contact set		GB534	BO
			Condensator		GL19V	LUC		
			Condensator		GB538	BO		
			GL103	LUC				
	202 cu.in (Red)	Distributor cap	6	3.3			GB539	BO
							GL269	LUC
		Distributor rotor					GB502	BO
							GL256	LUC
			Contact set				GB534	BO
			Condensator				GL19V	LUC
			Condensator				GB538	BO
		GL103	LUC					
253 cu.in (Red)	Distributor cap	8	4.2			GB926		
	Distributor rotor					GB536		





◀ HOLDEN

		Type	Cyl.	/Room	Product	Fitment Data	Bosch Part Number	Special Cases	
HQ	07.71 - 09.74	253 cu.in (Red)	8	4.2	Contact set		GB534		
					Condensor		GB538		
		308 cu.in (Red)	8	5.0	Distributor cap		GB926		
					Distributor rotor		GB536		
			Contact set		GB534				
	Condensor			GB538					
	Distributor cap			GD607					
	350 cu.in (Chev)	8	5.7	Distributor rotor		GD659			
				Contact set		GD143V			
		Condensor		GD10					
		Distributor cap		GB926					
		Distributor rotor		GB536					
	03.73 - 09.74	253 cu.in (Red)	8	4.2	Contact set		GB534		
					Condensor		GB538		
			308 cu.in (Red)	8	5.0	Distributor cap		GB926	
						Distributor rotor		GB536	
				Contact set		GB534			
		Condensor			GB538				
		Distributor cap			GD607				
		350 cu.in (Chev)	8	5.7	Distributor rotor		GD659		
Contact set						GD143V			
Condensor				GD10					
Distributor cap				GB926					
Distributor rotor				GB536					
HJ		10.74 - 06.76	202 cu.in (Red)	6	3.3	Distributor cap		GB539	BO
								GL269	LUC
						Distributor rotor		GB502	BO
								GL256	LUC
						Contact set		GB534	BO
					GL19V	LUC			
			Condensor		GB538	BO			
					GL103	LUC			
	253 cu.in (Red)		8	4.2	Distributor cap		GB926		
					Distributor rotor		GB536		
		Contact set		GB534					
		Condensor		GB538					
		Distributor cap		GB926					
	308 cu.in (Red)	8	5.0	Distributor rotor		GB536			
				Contact set		GB534			
		Condensor		GB538					
		Distributor cap		GB926					
		Distributor rotor		GB536					
	07.76 - 09.77	253 cu.in (Red)	8	4.2	Contact set		GB534		
					Condensor		GB538		
Distributor cap				GB926					
Distributor rotor				GB536					
Contact set				GB534					
308 cu.in (Red)		8	5.0	Condensor		GB538			
				Distributor cap		GB926			
		Distributor rotor		GB536					
		Contact set		GB534					
		Condensor		GB538					
10.77 - 12.79	253 cu.in (Red)	8	4.2	Distributor cap		GB926			
				Distributor rotor		GB536			
		Contact set		GB534					
		Condensor		GB538					
		Distributor cap		GB926					
	308 cu.in (Red)	8	5.0	Distributor rotor		GB536			
				Contact set		GB534			
		Condensor		GB538					
		Distributor cap		GB926					
		Distributor rotor		GB536					
Nova									
LE	07.89 - 08.91	4AFC <LC9>	4	1.6	Distributor cap	07.89 - 02.90	GD807	ND	
						03.90 - 08.91	GB871	BO	
		6AFC <L41>	4	1.4	Distributor rotor	07.89 - 02.90	GD804	ND	
						03.90 - 08.91	GB851	BO	
	Distributor cap		07.89 - 02.90	GD807	ND				
			03.90 - 08.91	GB871	BO				
	Distributor rotor	07.89 - 02.90	GD804	ND					
		03.90 - 08.91	GB851	BO					



LF	09.91 - 11.92	6AFC <L41>	4	1.4	Distributor cap		GB871
					Distributor rotor		GB851
	09.91 - 10.94	4AFC <LC9>	4	1.6	Distributor cap		GB871
					Distributor rotor		GB851
	10.92 - 10.94	7AFE <LV6>	4	1.8	Distributor cap		GD839
					Distributor rotor		GD804
LG	09.94 - 09.96	4AFE <L55>	4	1.6	Distributor cap		GD839
					Distributor rotor		GD804
		7AFE <LV6>	4	1.8	Distributor cap		GD839
					Distributor rotor		GD804

Piazza

YB	04.86 - 12.87	4ZC1	4	2.0	Distributor cap		GD933
					Distributor rotor		GD688

Rodeo

KB	01.81 - 12.82	G161Z	4	1.6	Distributor cap		GD366
					Distributor rotor		GD527
					Contact set		GD214
					Condensor		GD209
	01.83 - 08.83	G180Z	4	1.8	Distributor cap		GD366
					Distributor rotor		GD527
					Contact set		GD214
					Condensor		GD209
	01.83 - 12.83	G180Z	4	1.8	Distributor cap		GD366
					Distributor rotor		GD527
					Contact set		GD214
					Condensor		GD209
	01.83 - 01.84	G200Z	4	1.9	Distributor cap		GD366
					Distributor rotor		GD527
					Contact set		GD214
					Condensor		GD209
01.84 - 06.85	G200Z	4	1.9	Distributor cap		GD366	
				Distributor rotor		GD527	
				Contact set		GD214	
				Condensor		GD209	
07.85 - 06.88	4ZD1	4	2.3	Distributor cap	07.85 - 02.88	GD679	
				Distributor rotor	07.85 - 02.88	GD527	
07.88 - 12.90	4ZE1	4	2.6	Distributor cap		GD904	
				Distributor rotor		GD812	
TF	01.91 - 12.92	4ZD1	4	2.3	Distributor cap		GD918
					Distributor rotor		GD527
	01.91 - 04.93	4ZE1	4	2.6	Distributor cap		GD904
					Distributor rotor		GD812
	01.91 - 10.95	4ZE1	4	2.6	Distributor cap		GD904
				Distributor rotor		GD812	
05.93 - 12.96	4ZE1	4	2.6	Distributor cap		GD904	
				Distributor rotor		GD812	
11.95 - 12.96	4ZE1	4	2.6	Distributor cap		GD904	
				Distributor rotor		GD812	
R7	01.97 - 05.98	4ZE1	4	2.6	Distributor cap		GD904
					Distributor rotor		GD812
TF	01.97 - 05.98	4ZE1	4	2.6	Distributor cap		GD904
					Distributor rotor		GD812

Scurry

NB	07.85 - 12.87	F10A	4	1.0	Distributor cap		GD700
					Distributor rotor		GD527
					Contact set		GD207

Shuttle

WFR	06.86 - 12.91	4ZC1 <LQ2>	4	2.0	Distributor cap		GD679
					Distributor rotor		GD527





◀ HOLDEN

Statesman

HQ	07.71 - 10.74	202 cu.in (Red)	6	3.3	Distributor cap	GB539	BO		
						GL269	LUC		
					Distributor rotor	GB502	BO		
						GL256	LUC		
					Contact set	GB534	BO		
						GL19V	LUC		
					Condensor	GB538	BO		
						GL103	LUC		
					253 cu.in (Red)	8	4.2	Distributor cap	GB926
								Distributor rotor	GB536
		Contact set	GB534						
		Condensor	GB538						
		308 cu.in (Red)	8	5.0	Distributor cap	GB926			
					Distributor rotor	GB536			
					Contact set	GB534			
					Condensor	GB538			
		350 cu.in (Chev)	8	5.7	Distributor cap	GD607			
					Distributor rotor	GD659			
					Contact set	GD143V			
					Condensor	GD10			
HJ	10.74 - 07.76	308 cu.in (Red)	8	5.0	Distributor cap	GB926			
					Distributor rotor	GB536			
					Contact set	GB534			
					Condensor	GB538			
HX	07.76 - 10.77	308 cu.in (Red)	8	5.0	Distributor cap	GB926			
					Distributor rotor	GB536			
					Contact set	GB534			
					Condensor	GB538			
HZ	10.77 - 06.79	202 cu.in (Red)	6	3.3	Distributor cap	GB539			
					Distributor rotor	GB502			
					Contact set	GB534			
					Condensor	GB538			
		253 cu.in (Red)	8	4.2	Distributor cap	GB926			
					Distributor rotor	GB536			
					Contact set	GB534			
					Condensor	GB538			
		308 cu.in (Red)	8	5.0	Distributor cap	GB926			
					Distributor rotor	GB536			
					Contact set	GB534			
					Condensor	GB538			
WB	06.80 - 06.85	308 cu.in (Blue)	8	5.0	Distributor cap	GB830			
					Distributor rotor	GB828			
VQ	03.90 - 10.91	VU Eng. VU 611 187→	8	5.0	Distributor cap	GB926			
					Distributor rotor	GB901			
VQ II	12.91 - 02.94	VU	8	5.0	Distributor cap	GB926			
					Distributor rotor	GB901			
VR	03.94 - 04.95	VU	8	5.0	Distributor cap	GB926			
					Distributor rotor	GB901			
VS	03.95 - 08.96	VU	8	5.0	Distributor cap	GB926			
					Distributor rotor	GB901			
VS II	09.96 - 05.98	VU	8	5.0	Distributor cap	GB926			
					Distributor rotor	GB901			
VS III	05.98 - 06.99	VU	8	5.0	Distributor cap	GB926			
					Distributor rotor	GB901			

Sunbird

LX	12.76 - 03.78	Y	4	1.9	Distributor cap	GB819
					Distributor rotor	GB782
					Contact set	GB534
					Condensor	GB818
UC	03.78 - 08.78	Y	4	1.9	Distributor cap	GB819
					Distributor rotor	GB782



			Type	Cyl	/Room	Product	Formant Data	Bosch Part Number	Special Cases			
UC	03.78 - 08.78	Y	4	1.9		Contact set		GB534				
						Condensor		GB818				
	09.78-07.80	N (Starfire)	4	1.9		Distributor cap		GB820				
						Distributor rotor		GB502				
						Contact set		GB534				
Condensor		GB538										
Torana												
HB	05.67 - 10.69	22HB	4	1.1		Distributor cap		GD101				
						Contact set		GD502				
						Condensor		GD11E				
LC	10.69 - 02.72	3	4	1.6		Distributor cap		GD110				
						Distributor rotor		GD69				
						Contact set		GD50				
						Condensor		GD11E				
	22HB	4	1.2		Distributor cap		GD101					
					Distributor rotor		GD85					
					Contact set		GD502					
					Condensor		GD11E					
	138 cu in (Red)	6	2.4		Distributor cap		GB539					
					Distributor rotor		GB502					
					Contact set		GB534					
					Condensor		GB538					
	161 cu.in (Red)	6	2.6		Distributor cap		GB539	BO				
						GL269	LUC					
					Distributor rotor		GB502	BO				
						GL256	LUC					
					Contact set		GB534	BO				
						GL19V	LUC					
					Condensor		GB538	BO				
						GL103	LUC					
	173 cu.in (Red)	6	2.8		Distributor cap		GB539	BO				
						GL269	LUC					
					Distributor rotor		GB502	BO				
						GL256	LUC					
Contact set		GB534	BO									
		GL19V	LUC									
	Condensor		GB538	BO								
		GL103	LUC									
186 cu.in (Red)	6	3.0		Distributor cap		GB539						
				Distributor rotor		GB502						
				Contact set		GB752						
				Condensor		GB538						
				06.71 - 02.72	17H	4	1.8		Distributor cap		GD110	
									Distributor rotor		GD69	
									Contact set		GD50	
									Condensor		GD11E	
LJ	02.72 - 02.74	3	4	1.6		Distributor cap		GD110				
						Distributor rotor		GD69				
						Contact set		GD50				
						Condensor		GD11E				
	22HB / Series 70	4	1.2		Distributor cap		GD101					
					Distributor rotor		GD85					
					Contact set		GD502					
					Condensor		GD11E					
	138 cu in (Red)	6	2.4		Distributor cap		GB539					
					Contact set		GB534					
					Condensor		GB538					
	161 cu.in (Red)	6	2.6		Distributor cap		GB539	BO				
						GL269	LUC					
					Distributor rotor		GB502	BO				
						GL256	LUC					
					Contact set		GB534	BO				
	GL19V	LUC										





◀ HOLDEN

		Type	Cyl.	/Room	Product	Filter Data	Bosch Part Number	Special Cases	
LJ	02.72 - 02.74	161 cu.in (Red)	6	2.6	Condensor		GB538	BO	
							GL103	LUC	
	173 cu.in (Red)	Distributor cap	6	2.8			GB539	BO	
		Distributor rotor					GB502	BO	
		Contact set					GB534	BO	
		Condensor					GB538	BO	
LJ GTR XU1	02.72 - 02.74	202 cu.in (Red)	6	3.3	Distributor cap		GB539		
					Distributor rotor		GB502		
					Contact set		GB752		
					Condensor		GB538		
TA	02.74 - 12.74	1300V	4	1.3	Distributor cap		GD692		
					Distributor rotor		GD527		
					Contact set		GD214		
					Condensor		GD209		
LH	03.74 - 03.76	173 cu.in (Red)	6	2.8	Distributor cap		GB539	BO	
							GL269	LUC	
					Distributor rotor		GB502	BO	
							GL256	LUC	
					Contact set		GB534	BO	
							GL19V	LUC	
	202 cu.in (Red)	6	3.3	Distributor cap		GB539	BO		
						GL269	LUC		
				Distributor rotor		GB502	BO		
						GL256	LUC		
				Contact set		GB534	BO		
						GL19V	LUC		
	253 cu.in (Red)	8	4.2	Distributor cap		GB926			
				Distributor rotor		GB536			
				Contact set		GB534			
				Condensor		GB538			
				Distributor cap		GB926			
				Distributor rotor		GB536			
308 cu.in (Red)	8	5.0	Contact set		GB534				
			Condensor		GB538				
			Distributor cap		GB926				
			Distributor rotor		GB536				
			Contact set		GB534				
			Condensor		GB538				
05.74 - 03.76	Y	4	1.9	Distributor cap		GD608			
				Distributor rotor		GD663			
				Contact set		GD503			
				Condensor		GD552			
LX	03.76 - 12.76	Y	4	1.9	Distributor cap		GB819		
					Distributor rotor		GB782		
					Contact set		GB534		
					Condensor		GB818		
03.76 - 03.78	173 cu.in (Red)	6	2.8	Distributor cap		GB539	BO		
						GL269	LUC		
				Distributor rotor		GB502	BO		
						GL256	LUC		
				Contact set		GB534	BO		
						GL19V	LUC		
				Condensor		GB538	BO		
				Distributor cap	6	3.3		GB539	BO
						GL269	LUC		
				Distributor rotor		GB502	BO		
						GL256	LUC		
				Contact set		GB534	BO		
		GL19V	LUC						
Condensor		GB538	BO						
		GL103	LUC						
253 cu.in (Red)	8	4.2	Distributor cap		GB926				





			Type	Cyl.	/Room	Product	Forward Date	Bosch Part Number	Special Cases
LX	03.76 - 03.78	253 cu.in (Red)	8	4.2		Distributor rotor		GB536	
						Contact set		GB534	
						Condensor		GB538	
		308 cu.in (Red)	8	5.0		Distributor cap		GB926	
						Distributor rotor		GB536	
						Contact set		GB534	
UC	03.78 - 12.79	173 cu.in (Red)	6	2.8		Distributor cap		GB539	
						Distributor rotor		GB502	
						Contact set		GB534	
		202 cu.in (Red)	6	3.3		Condensor		GB538	
						Distributor cap		GB539	
						Distributor rotor		GB502	
					Contact set		GB534		
					Condensor		GB538		

WB Series Panel Van

WB	04.80 - 06.85	202 cu.in (Blue)	6	3.3		Distributor cap		GB829	
						Distributor rotor		GB827	
		253 cu.in (Blue)	8	4.2		Distributor cap		GB830	
						Distributor rotor		GB828	

WB Series Ute

WB	04.80 - 06.85	202 cu.in (Blue)	6	3.3		Distributor cap		GB829	
						Distributor rotor		GB827	
		253 cu.in (Blue)	8	4.2		Distributor cap		GB830	
						Distributor rotor		GB828	

HONDA

Accord

S8	03.77 - 12.78	EG	4	1.6		Distributor cap		GH604							
						Distributor rotor		GH605							
	01.79 - 08.81	EL	4	1.6			Distributor cap	01.79 - 12.80	GH604						
							Distributor rotor	01.81 - 08.81	GH609						
												Distributor cap	01.79 - 12.80	GH605	
												Distributor rotor	01.81 - 08.81	GH600	
AC/AD/SY	09.81 - 10.84	EL	4	1.6		Chassis →1663977	Distributor cap		GH635						
							Distributor rotor		GH631						
						Chassis →1664115	Distributor cap		GH635						
							Distributor rotor		GH631						
						Chassis 1663978→1800000	Distributor cap		GH635						
							Distributor rotor		GH631						
						Chassis 1664116→1800000	Distributor cap		GH635						
							Distributor rotor		GH631						
						Chassis 1800001→	Distributor cap		GH635						
							Distributor rotor		GH631						
							01.84 - 12.85	ET	4	1.8		Distributor cap		GH628	
												Distributor rotor		GH600	
						CA/CB/CD	11.85 - 12.89	A20A2	4	2.0		Distributor cap		GH628	
												Distributor rotor		GH631	
A20A4	Distributor cap		GH650												
	Distributor rotor		GH631												
	11.89 - 09.93	F22A5	4	2.2			Distributor cap	11.89 - 10.90	GH666						
							Distributor rotor	11.89 - 10.90	GH817						



◀ HONDA

City							
AA	09.84 - 10.86	ER4	4	1.2	Distributor cap		GH635
					Distributor rotor		GH631
Civic							
	01.72 - 08.79	EB	4	1.2	Distributor cap		GH506
					Distributor rotor		GH600
					Contact set		GH203
					Condensor		GH208
SL/SS/SP/WC	09.79 - 09.83	EN	4	1.3	Distributor cap		GH635
						09.79 - 09.81	GH635
					Distributor rotor		GH600
						09.79 - 09.81	GH631
AL/AM/AG/AJ/AH/AK	10.83 - 10.87	EV2	4	1.3	Distributor cap		GH628
					Distributor rotor		GH631
		EW2	4	1.5	Distributor cap		GH628
					Distributor rotor		GH631
EC/ED/EE	10.87 - 10.91	D15B4	4	1.5	Distributor cap		GH676
					Distributor rotor		GH657
	11.87 - 10.91	D15B4	4	1.5	Distributor cap		GH676
					Distributor rotor		GH657
EG/EH	10.91 - 09.93	D13B2	4	1.3	Distributor cap		GH676
					Distributor rotor		GH657
	11.91 - 09.93	D15B4	4	1.5	Distributor cap		GH676
					Distributor rotor		GH657
EJ/EK	10.95 - 10.98	B16A2	4	1.6	Distributor cap		GH807
					Distributor rotor		GH658
	10.95 - 03.99	B16A2	4	1.6	Distributor cap		GH807
					Distributor rotor		GH658
	10.95 - 02.01	B16A2	4	1.6	Distributor cap		GH807
					Distributor rotor		GH658
	01.99 - 12.00	B16A2	4	1.6	Distributor cap		GH807
					Distributor rotor		GH658
EJ	04.99 - 04.00	D16Y7	4	1.6	Distributor cap		GH807
					Distributor rotor		GH658
Civic Shuttle							
AL/AM/AG/AJ/AH/AK	01.85 - 10.87	EW2	4	1.5	Distributor cap		GH628
					Distributor rotor		GH631
Concerto							
MA	11.88 - 07.93	D16A6	4	1.6	Distributor cap		GH655
					Distributor rotor		GH815
CR-V							
RD	09.96 - 02.99	B20B3	4	2.0	Distributor cap		GH807
						01.98 - 02.99	GH666 Optional
					Distributor rotor		GH658
						01.98 - 02.99	GH658 Optional
	02.99 - 12.01	B20B3	4	2.0	Distributor cap		GH666
					Distributor rotor		GH658
CRX							
ED/EE	11.87 - 05.92	D16A8	4	1.6	Distributor cap		GH666
					Distributor rotor		GH658
EG/EH	06.92 - 06.98	B16A2	4	1.6	Distributor cap		GH666
					Distributor rotor		GH658
HR-V							
GH	12.98 - 12.01	D16W1	4	1.6	Distributor cap		GH807
					Distributor rotor		GH658
		D16W2	4	1.6	Distributor cap		GH807



GH	12.98 - 12.01	D16W2	4	1.6	Distributor rotor		GH658
	12.98 - 07.02	D16W1	4	1.6	Distributor cap		GH807
					Distributor rotor		GH658

Integra

DA	06.86 - 05.89	D16A3	4	1.6	Distributor cap		GH628
					Distributor rotor		GH600
	06.89 - 07.93	B18A1	4	1.8	Distributor cap	06.89 - 12.90	GH666
						01.91 - 12.91	GH814
						01.92 - 07.93	GH666
				Distributor rotor	06.89 - 12.90	GH815	
					01.91 - 12.91	GH659	
					01.92 - 07.93	GH658	

DC	08.93 - 10.99	B18B2	4	1.8	Distributor cap		GH666
							GH658
		B18C2	4	1.8	Distributor cap		GH806
							GH658

Integra Type-R

DC	01.98 - 10.01	B18C6	4	1.8	Distributor cap		GH806
							GH658

Legend

	05.86 - 12.87	C25A1	6	2.5	Distributor cap		GH653
							GH632
	01.87 - 02.91	C27A1	6	2.7	Distributor cap		GH639
							GH640
	10.87 - 02.91	C27A1	6	2.7	Distributor cap		GH639
							GH640

Prelude

	11.78 - 10.82	EL	4	1.6	Distributor cap	11.79 - 01.82	GH609
						01.82 - 10.82	GH635
							GH600
AB	01.83 - 12.85	ET	4	1.8	Distributor cap		GH629
							GH631
	01.86 - 09.87	A20A4	4	2.0	Distributor cap		GH650
							GH631
BA	04.87 - 01.92	B20A5	4	2.0	Distributor cap		GH641
							GH642
	10.87 - 12.91	B20A6	4	2.0	Distributor cap		GH650
							GH600
BB	12.91 - 12.96	F22A1	4	2.2	Distributor cap		GH816
							GH658
	01.94 - 12.96	H22A1	4	2.2	Distributor cap		GH816
							GH658
	03.95 - 12.96	H23A1	4	2.3	Distributor cap		GH666
							GH658
	01.97 - 02.02	H22A4	4	2.2	Distributor cap		GH816
							GH658
	01.97 - 07.02	F22A6	4	2.2	Distributor cap		GH666
							GH658

HSV (HOLDEN SPECIAL VEHICLES)

Clubsport

VN	08.88 - 10.91	VU	8	5.0	Distributor cap		GB926
							GB901
VP	11.91 - 07.93	VU	8	5.0	Distributor cap		GB926
							GB901
VR	06.93 - 04.95	VU	8	5.0	Distributor cap		GB926
							GB901
VS	05.95 - 08.97	VU	8	5.0	Distributor cap		GB926



◀ HSV

VS	05.95 - 08.97	VU	8	5.0	Distributor rotor	GB901
VT	09.97 - 05.99	VM <LB9>	8	5.0	Distributor cap Distributor rotor	GB926 GB901

Grange

VS	05.95 - 05.99	VF	8	5.7	Distributor cap	GB926
		VU	8	5.0	Distributor cap Distributor rotor	GB926 GB901

Group A

VN	06.91 - 12.91	VU	8	5.0	Distributor cap Distributor rotor	GB926 GB901
-----------	---------------	----	---	-----	--------------------------------------	------------------------------

Group A (Walkinshaw)

VL	02.88 - 12.88	VU	8	5.0	Distributor cap Distributor rotor	GB926 GB901
-----------	---------------	----	---	-----	--------------------------------------	------------------------------

GTS

VP	11.91 - 07.93	VU	8	5.0	Distributor cap Distributor rotor	GB926 GB901
VR	06.93 - 04.95	VF	8	5.7	Distributor cap	GB926
VS	05.95 - 08.97	VF	8	5.7	Distributor cap	GB926
VT	09.97 - 05.99	VF	8	5.7	Distributor cap	GB926

Maloo

VG	08.88 - 10.91	VU	8	5.0	Distributor cap Distributor rotor	GB926 GB901
VR	06.93 - 04.95	VU	8	5.0	Distributor cap Distributor rotor	GB926 GB901
VS	05.95 - 12.00	VU	8	5.0	Distributor cap Distributor rotor	GB926 GB901

Senator

VP	11.91 - 07.93	VU	8	5.0	Distributor cap Distributor rotor	GB926 GB901
VR	06.93 - 04.95	VF	8	5.7	Distributor cap	GB926
		VU	8	5.0	Distributor cap Distributor rotor	GB926 GB901
VS	05.95 - 08.97	VF	8	5.7	Distributor cap	GB926
		VU	8	5.0	Distributor cap Distributor rotor	GB926 GB901
VT	09.97 - 05.99	VF	8	5.7	Distributor cap	GB926
		VM <LB9>	8	5.0	Distributor cap Distributor rotor	GB926 GB901

HYUNDAI

Excel

X1	01.86 - 02.90	G4AJ	4	1.5	Distributor cap Distributor rotor	GM557 GM533
						04.87 - 02.90 GM824
X2	02.90 - 07.94	G4DJ	4	1.5	Distributor cap Distributor rotor	GM557 GM824

Scoupe

	02.90 - 06.92	G4DJ <New Orion>	4	1.5	Distributor cap Distributor rotor	GM557 GM591
	07.92 - 04.95	G4EK <Alpha>	4	1.5	Distributor cap Distributor rotor	GB882 GB899
		G4EK-TC <Alpha>	4	1.5	Distributor cap Distributor rotor	GB882 GB899



Sonata

Y2	01.89 - 10.93	G4CS VIN-S <New Sirius 4G64>	4	2.4	Distributor cap	GM557
					Distributor rotor	GM591
	09.89 - 06.93	G6AT <6G72>	6	3.0	Distributor cap	GM596
					Distributor rotor	GM572

Sonata II

Y3	07.93 - 06.98	G6AT	6	3.0	Distributor cap	07.93 - 10.93	GM596
					Distributor rotor	07.93 - 10.93	GM572

INTERNATIONAL TRUCKS

Acco

01.72-01.79	8	5.7	Distributor cap	GF90	Holley Ignition System
			Distributor rotor	GF75	Holley Ignition System
			Contact set	GH84V	Holley Ignition System
			Condensor	GL75	Holley Ignition System

D Line

01.72-01.79	6	4.6	Distributor cap	GB75
			Distributor rotor	GB603
			Contact set	GB527
			Condensor	GB528

Acco C Line

01.80-12.84	8	6.4	Distributor cap	GA105	Autolite Ignition System
			Distributor rotor	GA106	Autolite Ignition System

ISUZU

Bellet

08.64 - 12.70	4	1.5	Distributor cap	GH506
			Distributor rotor	GM517
			Contact set	GH203
			Condensor	GH208

Bellet Coupe

06.66 - 12.70	4	1.6	Distributor cap	GH506
			Distributor rotor	GM517
			Contact set	GH203
			Condensor	GH208

KB20

77 Series	06.77 - 02.80	G161Z	4	1.6	Distributor cap	GD366
					Distributor rotor	GD527
					Contact set	GD214
					Condensor	GD209

KB25

77 Series	06.77 - 02.80	G161Z	4	1.6	Distributor cap	GD366
					Distributor rotor	GD527
					Contact set	GD214
					Condensor	GD209



◀ ISUZU

KB40						
77 Series	06.77 - 02.80	G161Z	4	1.6	Distributor cap	GD366
					Distributor rotor	GD527
					Contact set	GD214
					Condensor	GD209

JAGUAR

XJ6						
Series 1, 2	10.68 - 12.74		6	2.8	Distributor cap	10.68 - 12.69 GL274
						01.70 - 12.74 GL212
					Distributor rotor	GL254
					Contact set	GL19
					Condensor	GL103
	10.68 - 02.79		6	4.2	Distributor cap	10.68 - 12.71 GL274
						01.72 - 12.74 GL212
						01.75 - 02.79 GL838
					Distributor rotor	10.68 - 12.74 GL254
						01.75 - 02.79 GL803
Series 3	03.79 - 10.86		6	4.2	Distributor cap	10.68 - 12.74 GL19
						10.68 - 12.74 GL103
					Distributor cap	03.79 - 02.80 GL838
						03.80 - 10.86 GL839
					Distributor rotor	03.79 - 02.80 GL803
	03.80 - 10.86 GL953					

JEEP

Cherokee						
SJ	03.79 - 08.83		8	5.9	Distributor cap	GD607 Delco Remy
						GM857 MOT
					Distributor rotor	GD659 Delco Remy
						GM858 MOT
					Contact set	GD501 Delco Remy
XJ	09.93 - 08.01	ERH	6	4.0	Condensor	GD10 Delco Remy
					Distributor cap	GM804
					Distributor rotor	GM801

CJ5						
	06.73 - 12.77		6	3.8	Distributor cap	GD665
					Distributor rotor	GD669
					Contact set	GD501
					Condensor	GD11E

CJ6						
	06.73 - 12.77		6	3.8	Distributor cap	GD665
					Distributor rotor	GD669
					Contact set	GD501
					Condensor	GD11E

Grand Cherokee						
ZG	09.92 - 04.99	ERH,ERO <6L <S MPI>>	6	4.0	Distributor cap	GM804
					Distributor rotor	GM801

J20						
	07.81 - 12.85		8	5.9	Distributor cap	GD607 Delco Remy
						GM857 MOT
					Distributor rotor	GD659 Delco Remy
						GM858 MOT
					Contact set	GD501 Delco Remy
					Condensor	GD10 Delco Remy

**Wrangler**

TJ	01.97 - 02.07	ERH	6	4.0	Distributor cap	GM804
					Distributor rotor	GM801

KIA**Mentor**

FA	09.96 - 12.97	B5	4	1.5	Distributor cap	GM575
					Distributor rotor	GM820

LADA**Niva**

	07.83 - 12.96	2121	4	1.6	Distributor cap	GU702
					Distributor rotor	GU703
					Contact set	GU700
					Condensor	GU701

Samara

	07.88 - 09.90	2108	4	1.3	Distributor cap	GU704
					Distributor rotor	GU705
	09.91 - 02.96	21083	4	1.5	Distributor cap	GU702
					Distributor rotor	GU705

LANCIA**Beta**

	01.73 - 12.75	828 A 1.000	4	1.8	Distributor cap	GB739
					Distributor rotor	GB782
					Contact set	GB752
					Condensor	GB822
	01.76 - 12.79		4	2.0	Distributor cap	01.76 - 04.78 GB739
						05.78 - 08.79 GB886
						09.79 - 12.79 GB886
					Distributor rotor	01.76 - 04.78 GB782
						05.78 - 08.79 GB782
						09.79 - 12.79 GB782
					Contact set	01.76 - 04.78 GB752
					Condensor	01.76 - 04.78 GB822
	01.80 - 12.84	828 CB 1 A..	4	2.0	Distributor cap	GB886
					Distributor rotor	GB782

Beta Coupe

	06.73 - 12.75	828 AC 100	4	1.8	Distributor cap	GB739
					Distributor rotor	GB782
					Contact set	GB752
					Condensor	GB822
	06.73 - 12.84	828 CB 1 A..	4	2.0	Distributor cap	06.73 - 04.78 GB739
						05.78 - 08.79 GB886
						09.79 - 12.84 GB886
					Distributor rotor	06.73 - 04.78 GB782
						05.78 - 08.79 GB782
						09.79 - 12.84 GB782
					Contact set	06.73 - 04.78 GB752
					Condensor	06.73 - 04.78 GB822

Beta HPE

	04.75 - 12.84	828 CB 1 A..	4	2.0	Distributor cap	04.75 - 04.78 GB739
						05.78 - 08.79 GB886
						09.79 - 12.84 GB886



◀ LANCIA

04.75 - 12.84	828 CB 1 A..	4	2.0	Distributor rotor	04.75 - 04.78	GB782	
					05.78 - 08.79	GB782	
					09.79 - 12.84	GB782	
				Contact set	04.75 - 04.78	GB752	
				Condensor	04.75 - 04.78	GB822	

LAND ROVER GROUP

Discovery

09.89 - 12.98	V8 3.5 EFi <Kat.>	8	3.5	Distributor cap		GL924	Ascertain in vehicle
				Distributor rotor		GL195	Ascertain in vehicle
10.93 - 12.98	V8 3.9 <EFi> Chassis MA 081991→	8	3.9	Distributor cap		GL924	HV,w/ cat
						GL924	HV,w/o cat
						GL924	NV
				Distributor rotor		GL195	HV,w/ cat
						GL195	HV,w/o cat
						GL195	NV
	Chassis MA 094073→	8	3.9	Distributor cap		GL924	HV,w/ cat
						GL924	HV,w/o cat
				Distributor rotor		GL195	HV,w/ cat
						GL195	HV,w/o cat
	Chassis →LA 081990	8	3.9	Distributor cap		GL924	HV,w/ cat
						GL924	HV,w/o cat
						GL924	NV
				Distributor rotor		GL195	HV,w/ cat
						GL195	HV,w/o cat
						GL195	NV

Freelander

09.97 - 11.00	18K4F <K-Serie>	4	1.8	Distributor cap		GL966	
				Distributor rotor		GL960	

Land Rover 90

11.83 - 08.90	V8	8	3.5	Distributor cap		GL924	
				Distributor rotor		GL195	

Land Rover 109

09.63 - 08.83		4	2.3	Distributor cap	09.63 - 12.70	GL270	
					01.71 - 09.77	GL276	
					10.77 - 08.83	GL109	
				Distributor rotor	09.63 - 09.77	GL229	
					10.77 - 08.83	GL803	
				Contact set	09.63 - 09.77	GL19	
					10.77 - 08.83	GL769	
				Condensor	09.63 - 09.77	GL103	
					10.77 - 08.83	GL551	
09.67 - 12.80		6	2.6	Distributor cap	09.67 - 12.69	GL274	
					01.70 - 12.80	GL212	
				Distributor rotor	01.69 - 09.77	GL254	
				Contact set		GL19	
				Condensor		GL103	LUC
09.79 - 03.83		8	3.5	Distributor cap		GL665	w/ emission control
						GL665	w/o emission control
				Distributor rotor		GL854	w/ emission control
						GL854	w/o emission control
				Contact set		GL494	



09.79 - 03.83		8	3.5	Condensor		GL103
---------------	--	---	-----	-----------	--	--------------

Land Rover 110

11.83 - 07.90	V8	8	3.5	Distributor cap		GL924
				Distributor rotor		GL195

Range Rover

06.70 - 06.86	22D <V8F-EFI-KAT>	8	3.5	Distributor cap	06.70 - 06.81	GL665
					07.81 - 06.86	GL924
				Contact set	06.70 - 12.72	GL27V
					01.73 - 01.84	GL494
				Condensor	06.70 - 01.84	GL103
	Chassis CA → HA 610293	8	3.5	Distributor rotor		GL195
01.87 - 09.90	V8F-EFI <KAT.>	8	3.5	Distributor cap		GL924
				Distributor rotor		GL195
11.88 - 08.94	37D,38D <V8-EFI-KAT>	8	3.9	Distributor cap		GL924
				Distributor rotor		GL195
	Chassis CA → HA 610293					

LEXUS

LS400

UCF10	12.89 - 09.94	1UZFE	8	4.0	Distributor cap		GD830
					Distributor rotor		GD831
UCF20	10.94 - 08.00	1UZFE	8	4.0	Distributor cap	10.94 - 07.97	GD830 Left side
							GD830 Right side
					Distributor rotor	10.94 - 07.97	GD831 Left side
							GD831 Right side

MALLORY PERFORMANCE DISTRIBUTORS

YD, YL, ZD Series Twin Point

6 Lobe Cam	6	Distributor rotor	GM252
		Contact set	GM254 2 required
		Condensor	GM250
8 Lobe Cam	8	Distributor cap	GM251
		Distributor rotor	GM253
		Contact set	GM254 2 required
		Condensor	GM250

MAZDA

B1800

01.78 - 12.81	4	1.8	Distributor cap	GM347
			Distributor rotor	GM533
			Contact set	GM543
			Condensor	GM544

B2000

08.82 - 05.85	4	2.0	Distributor cap	GM347
			Distributor rotor	GM533
			Contact set	GM543
			Condensor	GM544

UF	06.85 - 07.88	4	2.0	Distributor cap	GM557
				Distributor rotor	GM533
				Contact set	GM543
				Condensor	GM544





◀ MAZDA

B2200

UF	08.91 - 03.96		4	2.2	Distributor cap		GM561
					Distributor rotor		GM562

B2600

UF	12.86 - 11.89	4G54	4	2.6	Distributor cap		GM557
					Distributor rotor		GM533
	11.89 - 03.96	G6	4	2.6	Distributor cap		GM575
					Distributor rotor		GM576
03.96 - 05.99	G6	4	2.6	Distributor cap		GM575	
				Distributor rotor		GM576	
UN	02.99 - 03.06	G6	4	2.6	Distributor cap		GM575
					Distributor rotor		GM576

Eunos 30X

EC	11.93 - 01.98	K8	6	1.8	Distributor cap		GM586			
					Chassis EC1082-101576→		6	1.8	Distributor rotor	GM834
					Chassis →EC1082-101576		6	1.8	Distributor rotor	GM835

Eunos 800

TA	09.93 - 06.96	KL	6	2.5	Distributor cap	09.93 - 06.96	GM586			
					Chassis TA10L1-101417→		6	2.5	Distributor rotor	GM834
					Chassis →TA10L1-101417		6	2.5	Distributor rotor	GM835

E1300

Bongo	05.78 - 12.80	TC	4	1.3	Distributor cap		GM347	
					Distributor rotor		GM533	
					Contact set		GM216	
							GM217	ZUS
					Condensor		GM544	

E1400

	01.80 - 12.83	UC	4	1.4	Distributor cap		GM557
					Distributor rotor		GM533
					Contact set		GM543
					Condensor		GM544
	06.84 - 07.86	E5	4	1.5	Distributor cap		GM557
					Distributor rotor		GM533
					Contact set		GM543
					Condensor		GM544

E1600

Bongo	05.78 - 12.83	NA	4	1.6	Distributor cap	05.78 - 07.81	GM347
							08.81 - 12.83
					Contact set	GM217	
					Condensor	GM544	

E1800

	01.84 - 02.88	F85	4	1.8	Distributor cap		GM823
					Distributor rotor		GM838
					Contact set		GM543
					Condensor		GM544
	02.84 - 12.96	F8	4	1.8	Distributor cap	02.84 - 01.88	GM557
							11.90 - 12.96
					Distributor rotor	02.84 - 01.88	GM533
						11.90 - 12.96	GM562
	01.02 - 12.06	F8-E	4	1.8	Contact set	02.84 - 01.88	GM543
					Condensor		02.84 - 01.88
					Distributor cap		GM575
					Distributor rotor		GM576



E2000										
02.84 - 02.03	FE	4	2.0	Distributor cap	02.84 - 01.88	GM557				
				Distributor rotor	02.88 - 11.02	GM561				
				Contact set	02.84 - 01.88	GM533				
					02.88 - 11.02	GM562				
				Condensor	02.84 - 01.88	GM544				
03.86 - 02.88	FE	4	2.0	Distributor cap	GM554					
				Distributor rotor	GM555					
07.89 - 03.95	FEET	4	2.0	Distributor cap	GM561					
				Distributor rotor	GM562					
				Chassis SD122700143→	4	2.0	Distributor cap	GM561		
				Distributor rotor	GM562					
				Chassis →SD122700143	4	2.0	Distributor cap	GM561		
				Distributor rotor	GM562					
09.96 - 11.02	FE	4	2.0	Distributor cap	GM561					
				Distributor rotor	GM562					
02.03 - 12.06	FE	4	2.0	Distributor cap	GM575					
				Distributor rotor	GM576					
E2000i										
12.01 - 01.04	FE	4	2.0	Distributor cap	GM575					
				Distributor rotor	GM576					
MPV										
08.93 - 04.96	E	6	3.0	Distributor cap	GM583					
				Distributor rotor	GM861					
MX-6										
07.87 - 10.88	F2	4	2.2	Distributor cap	GM563					
				Distributor rotor	GM564					
09.89 - 06.91	F2	4	2.2	Distributor cap	GM575					
				Distributor rotor	GM576					
07.94 - 06.97	KL	6	2.5	Distributor cap	GM586					
				Distributor rotor	GM834					
				Chassis GE*0*2-108162→	6	2.5	Distributor cap	GM586		
							Distributor rotor	GM834		
				Chassis →GE*0*2-108162	6	2.5	Distributor cap	GM586		
				Distributor rotor	GM835					
RX-2										
10.70 - 04.76	12A	2	1.1	Distributor cap	GM532	ZE				
				Distributor rotor	GM525	ZE				
				Contact set	GM208	ZE				
				Condensor	GM405	ZE				
RX-3										
03.72 - 12.73	10A	2	1.0	Distributor cap	GM532					
				Distributor rotor	GM525					
				Contact set	GM208					
				Condensor	GM405					
03.74 - 02.76	12A	2	1.1	Distributor cap	GM532					
				Distributor rotor	GM525					
				Contact set	GM208					
				Condensor	GM405					
RX-7										
02.79 - 10.83	12A	2	1.1	Distributor cap	GM558					
				Distributor rotor	GM559					
11.83 - 08.85	12A	2	1.1	Distributor rotor	GM559					
				Chassis SA22C-703302→	2	1.1	Distributor rotor	GM559		
				Chassis →SA22C-703301	2	1.1	Distributor cap	GM558		
				Distributor rotor	GM559					





◀ MAZDA

FC	11.85 - 04.89	13BN32	2	1.3	Distributor cap		GM558				
					Distributor rotor		GM559				
121											
CD	03.76 - 03.78	VC	4	1.8	Distributor cap	03.76 - 12.77	GM823				
					Distributor rotor	03.76 - 12.77	GM824				
					Contact set	03.76 - 12.77	GM217				
					Condensor	03.76 - 12.77	GM544				
	04.78 - 12.79	MA	4	2.0	Distributor cap		GM823				
					Distributor rotor		GM824				
					Contact set		GM217				
					Condensor		GM544				
DA	12.86 - 12.89	B3	4	1.3	Distributor cap		GM561				
					Distributor rotor		GM562				
	04.89 - 10.90	B3A6	4	1.3	Distributor cap		GM573				
					Distributor rotor		GM574				
DB	11.90 - 10.93	B3	4	1.3	Distributor cap		GM589				
					Distributor rotor		GM592				
	11.93 - 12.95	B3	4	1.3	Distributor cap		GM589				
					Distributor rotor		GM592				
		B5M1	4	1.5	Distributor cap		GM589				
					Distributor rotor		GM592				
11.95 - 11.97	B3	4	1.3	Distributor cap		GM589					
				Distributor rotor		GM592					
	B5	4	1.5	Distributor cap		GM589					
				Distributor rotor		GM592					
DW	08.96 - 12.99	B3	4	1.3	Distributor cap		GM589				
					Distributor rotor		GM579				
		B5	4	1.5	Distributor cap		GM589				
					Distributor rotor		GM579				
	01.00 - 12.02	B3	4	1.3	Distributor cap		GM589				
					Distributor rotor		GM579				
	B5	4	1.5	Distributor cap		GM589					
				Distributor rotor		GM579					
323											
FA	03.77 - 05.78	T	4	1.3	Distributor cap		GM347				
					Distributor rotor		GM824				
					Contact set		GM543				
					Condensor		GM544				
					03.78 - 05.80	U	4	1.4	Distributor cap		GM347
					Distributor rotor		GM533				
					Contact set		GM543				
					Condensor		GM544				
					06.80 - 06.82	E5	4	1.5	Distributor cap	06.80 - 12.81	GM823
					Distributor rotor	01.82 - 06.82	GM554				
					Distributor rotor	06.80 - 12.81	GM824				
					Condensor	01.82 - 06.82	GM555				
					06.80 - 12.81	GM560					
					07.80 - 08.82	E3	4	1.3	Distributor cap		GM347
					Distributor rotor		GM533				
					Contact set		GM543				
					Condensor		GM560				
					E5	4	1.5	Distributor cap		GM347	
					Distributor rotor		GM533				
					Contact set		GM543				
					Condensor		GM560				
					07.82 - 10.85	E5	4	1.5	Distributor cap		GM554
					Distributor rotor		GM555				
BD/FA	07.82 - 10.85	E5	4	1.5	Distributor cap		GM554				
					Distributor rotor		GM555				
BF	07.85 - 07.87	B6	4	1.6	Distributor cap		GM817				
					Distributor rotor		GM818				





		Type	Cyl.	/Room	Product	Forward Data	Search Part Number	Special Cases			
BF	09.87 - 06.89	B6	4	1.6	Distributor cap		GM561				
					Distributor rotor		GM817				
	Chassis BF10*2-109475→	4	1.6	Distributor cap		GM562					
				Distributor rotor		GM818					
		Chassis →BF10*2-109475	4	1.6	Distributor cap		GM832				
					Distributor rotor		GM564				
BG	07.89 - 03.91	BP	4	1.8	Distributor cap		GM575				
					Distributor rotor		GM576				
	07.89 - 12.95	B6	4	1.6	Distributor cap		GM573				
					Distributor rotor		GM574				
	11.89 - 04.92	BP	4	1.8	Distributor cap		GM575				
					Distributor rotor		GM576				
	04.91 - 05.94	BP	4	1.8	Distributor cap		GM575				
					Distributor rotor		GM576				
BA	05.94 - 07.95	KF	6	2.0	Distributor cap		GM586				
					Distributor rotor		GM835				
	05.94 - 09.95	BP	4	1.8	Distributor cap		GM815				
					Distributor rotor		GM816				
	KF/F	6	2.0	Distributor cap		GM586					
				Distributor rotor		GM835					
	11.94 - 09.95	BP	4	1.8	Distributor cap		GM578				
					Distributor rotor		GM576				
	08.95 - 09.96	BP	4	1.8	Distributor cap		GM815				
					Distributor rotor		GM816				
		B6	4	1.6	Distributor cap		GM815				
					Distributor rotor		GM816				
	10.96 - 06.98	BP	4	1.8	Distributor cap		GM815				
					Distributor rotor		GM816				
B6		4	1.6	Distributor cap		GM815					
				Distributor rotor		GM816					
10.96 - 07.98	KF	6	2.0	Distributor cap		GM586					
				Distributor rotor		GM834					
626											
CB	12.78 - 08.82	MA Chassis →CB2MS-709001	4	2.0	Distributor cap		GM347				
					Distributor rotor		GM533				
					Contact set		GM543				
					Condensor		GM544				
GC	12.82 - 06.87	FE	4	2.0	Distributor cap		GM554				
					Distributor rotor		GM555				
	07.85 - 06.87	FE	4	2.0	Distributor cap		GM554				
					Distributor rotor		GM555				
GD	07.87 - 08.89	F2	4	2.2	Distributor cap		GM563				
					Distributor rotor		GM564				
GV	03.88 - 09.89	F2	4	2.2	Distributor cap		GM563				
					Distributor rotor		GM564				
GD	09.89 - 09.91	F2	4	2.2	Distributor cap		GM563				
					Distributor rotor		GM564				
GE	01.92 - 05.94	FS	4	2.0	Distributor cap		GM580				
					Distributor rotor		GM579				
	04.92 - 05.94	KL	6	2.5	Distributor rotor		GM582				
					Chassis →3301	6	2.5	Distributor cap		GM590	
					Chassis 3301→	6	2.5	Distributor cap		GM590	
	11.92 - 05.94	KL	6	2.5	Distributor cap		GM590				
					Distributor rotor		GM582				
	06.94 - 06.97	FS	4	2.0	Distributor cap		GM836				
Distributor rotor						GM837					
	KL	Chassis GE*0*2-108162→	6	2.5	Distributor cap		GM586				
					Distributor rotor		GM834				





◀ MAZDA

Model	Year Range	Type	Cyl.	Room	Product	Part Number			
GE	06.94 - 06.97	KL Chassis →GE*0*2-108162	6	2.5	Distributor cap	GM586			
					Distributor rotor	GM835			
GF	06.97 - 10.99	FSD	4	2.0	Distributor cap	GM575			
					Distributor rotor	GM576			
		FSD DOHC	4	2.0	Distributor cap	GM575			
					Distributor rotor	GM576			
626 Turbo									
GC	01.86 - 06.87	FE	4	2.0	Distributor cap	GM554			
					Distributor rotor	GM555			
GD	10.87 - 08.89	F2	4	2.2	Distributor cap	GM575			
					Distributor rotor	GM576			
	09.89 - 09.91	F2	4	2.2	Distributor cap	GM575			
					Distributor rotor	GM576			
808									
	01.71 - 12.77	TC	0	1.3	Distributor cap	GM823			
					Distributor rotor	GM824			
					Contact set	10.75 - 12.76	GM216		
						01.77 - 12.77	GM217		
	Condensor	01.71 - 09.75	GM412						
		10.75 - 12.76	GM412						
		01.77 - 12.77	GM544						
		01.73 - 12.77	NA	0	1.6	Distributor cap	GM823		
Distributor rotor	GM824								
Contact set	10.75 - 12.76					GM216			
	01.77 - 12.77					GM217			
Condensor	01.73 - 09.75	GM412							
	10.75 - 12.76	GM412							
	01.77 - 12.77	GM544							
	929								
LA	01.74 - 08.78	V	4	1.8	Distributor cap	GM347			
					Distributor rotor	GM533			
					Contact set	GM216			
					Condensor	GM412			
	04.78 - 11.81	M	4	2.0	Distributor cap	GM347			
					Distributor rotor	GM533			
					Contact set	GM543			
					Condensor	GM544			
	01.79 - 11.81	M	4	2.0	Distributor cap	01.79 - 12.79 GM823			
					Distributor rotor	01.79 - 12.79 GM824			
					Contact set	01.79 - 12.79 GM217			
					Condensor	01.79 - 12.79 GM544			
		Chassis LA4MS 767400→ LA4MS 875012	4	2.0	2.0	Distributor cap	01.80 - 09.81 GM823		
						Distributor rotor	01.80 - 09.81 GM824		
						Contact set	01.80 - 09.81 GM217		
						Condensor	01.80 - 09.81 GM544		
Chassis LA4MS 875013→	4	2.0	2.0	Distributor cap	09.81 - 11.81 GM823				
				Distributor rotor	09.81 - 11.81 GM824				
				Contact set	09.81 - 11.81 GM217				
				Condensor	09.81 - 11.81 GM544				
HB									
07.83 - 11.86	FE Chassis →540470	4	2.0	Distributor cap	10.83 - 09.86 GM554				
				Distributor rotor	10.83 - 09.86 GM555				
				Chassis 540471→	4	2.0	Distributor cap	10.83 - 09.86 GM554	
							Distributor rotor	10.83 - 09.86 GM555	
	11.83 - 02.87	FE Chassis →540470	4	2.0	Distributor cap	11.83 - 09.86 GM554			
					Distributor rotor	11.83 - 09.86 GM555			
					Chassis 540471→	4	2.0	Distributor cap	11.83 - 09.86 GM554
								Distributor rotor	11.83 - 09.86 GM555





HB	07.84 - 04.87	FE <HBES>								
		Chassis	4	2.0	Distributor cap	GM554	BHK			
		HBES-540486→			Distributor rotor	GM555	BHK			
		HBES-553530								
	09.85 - 06.86	Chassis →HBES-540486	4	2.0	Distributor cap	GM554	BHK			
					Distributor rotor	GM555	BHK			
		FE <HBES>								
		Chassis	4	2.0	Distributor cap	GM554	BHK			
	09.85 - 02.87	HBES-540486→			Distributor rotor	GM555	BHK			
		HBES-553530								
		Chassis →HBES-540486	4	2.0	Distributor cap	GM554	BHK			
					Distributor rotor	GM555	BHK			
HC	02.87 - 06.91	JE	6	3.0	Distributor cap	GM577				
					Distributor rotor	GD686				
	01.90 - 08.91	JED	6	3.0	Distributor cap	GD931				
					Distributor rotor	GD932				
	1300									
	01.70 - 12.73	TC		4	1.3	Distributor cap	GM823			
			Distributor rotor			GM824				
			Contact set			GM210				
			Condensor			GM402				
09.73 - 12.76	TC		4	1.3	Distributor cap	GM823				
					Distributor rotor	GM824				
					Contact set	GM217	01.76 - 12.76			
					Condensor	GM412	09.73 - 12.75			
					GM544	01.76 - 12.76				
1500										
SUA	10.66 - 10.70	UB	4	1.5	Distributor cap	GM522				
						Distributor rotor	GM521			
						Contact set	GM206			
						Condensor	GM400			
MERCEDES-BENZ										
E500										
W124	09.93 - 08.94	M 119.974	8	5.0	Distributor cap	GB936				
						Distributor rotor	GB968			
S 500										
W140	06.93 - 09.98	M 119.970;980 Eng. →..003624	8	5.0	Distributor cap	GB936				
						Distributor rotor	GB968			
S 600										
W140	06.93 - 09.98	M 120.980;982 Eng. →..014710	12	6.0	Distributor cap	GB934				
						Distributor rotor	GB935			
					Eng. ..014711→	12	6.0	Distributor cap	GB973	
								Distributor rotor	GB925	
SL500										
W129	09.93 - 08.95	M 119.972	8	5.0	Distributor cap	GB936				
						Distributor rotor	GB968	NTA		





◀ MERCEDES-BENZ

SL600								
W129	07.93 - 09.95	M 120.981	12	6.0	Distributor cap			GB973
					Distributor rotor			GB925
S420								
W140	06.93 - 09.98	M 119.971;981 Eng. →..001536	8	4.2	Distributor cap			GB936
					Distributor rotor			GB968
		Eng. ..001537→	8	4.2	Distributor cap			GB936
					Distributor rotor			GB968
S600								
W140	06.93 - 05.96	M 120.980;982 Eng. →..014710	12	6.0	Distributor cap			GB934
					Distributor rotor			GB935
		Eng. ..014711→	12	6.0	Distributor cap			GB973
					Distributor rotor			GB925
180E								
W201	09.91 - 04.94	M 102.910	4	1.8	Distributor cap			GB924
					Distributor rotor			GB944
190E								
W201	10.82 - 09.88	M 102.921	4	2.0	Distributor cap			GB841
					Distributor rotor			GB924
	08.84 - 08.93	M 102.985	4	2.3	Distributor cap			GB924
					Distributor rotor			GB944
	09.85 - 08.86	M 102.962	4	2.0	Distributor cap			GB841 w/o cat
					Distributor rotor			GB924
	09.86 - 08.89	M 103.942	6	2.6	Distributor cap			GB889
					Distributor rotor			GB890
	09.86 - 09.93	M 102.962	4	2.0	Distributor cap			GB841 w/o cat
					Distributor rotor			GB924
	09.89 - 08.92	M 102.985	4	2.3	Distributor cap			GB924
					Distributor rotor			GB944
	03.90 - 08.93	M 102.910	4	1.8	Distributor cap			GB924
					Distributor rotor			GB944
190SL								
W121	05.55 - 02.63	M 121 B ...	4	1.9	Distributor cap			GB739
					Distributor rotor			GB603
					Contact set			GB6
					Condensor	05.55 - 03.62		GB505
						04.62 - 02.63		GB503
230CE								
W123	04.80 - 12.85	M 102.980	4	2.3	Distributor cap	09.80 - 12.85		GB841 Auto
					Distributor rotor	09.80 - 12.85		GB842 Auto
230E								
W123	04.80 - 12.85	M 102.980	4	2.3	Distributor cap	09.80 - 12.85		GB841 Auto,w/ AC
					Distributor rotor	09.80 - 12.85		GB842 Auto,w/ AC
W124	12.84 - 06.93	M 102.982	4	2.3	Distributor cap			GB841 w/o cat
					Distributor rotor			GB842 w/o cat
		Eng. →..127197	4	2.3	Distributor cap			GB924 Auto,w/ cat
					Distributor rotor			GB912 Auto,w/ cat
		Eng. →..130476	4	2.3	Distributor cap			GB924 Manual,w/ cat
					Distributor rotor			GB912 Manual,w/ cat
Eng. ..127198→	4	2.3	Distributor cap			GB924 Auto,w/ cat		
Distributor rotor			GB944 Auto,w/ cat					





W124	12.84 - 06.93	M 102.982 Eng. ...130477→	4	2.3	Distributor cap		GB924	Manual,w/ cat			
					Distributor rotor		GB944	Manual,w/ cat			
230TE											
W123	04.80 - 12.85	M 102.980	4	2.3	Distributor cap	09.80 - 12.85	GB841	Auto			
					Distributor rotor	09.80 - 12.85	GB841	w/ AC			
W124	09.85 - 08.93	M 102.982	4	2.3	Distributor cap		GB842	Auto			
					Distributor rotor		GB842	w/ AC			
W124	09.85 - 08.93	M 102.982	4	2.3	Distributor cap		GB841	w/o cat			
					Distributor rotor		GB842	w/o cat			
					Eng. →..127197	4	2.3	Distributor cap		GB924	Auto,w/ cat
					Distributor rotor		GB912	Auto,w/ cat			
					Eng. →..130476	4	2.3	Distributor cap		GB924	Manual,w/ cat
					Distributor rotor		GB912	Manual,w/ cat			
W124	09.85 - 08.93	M 102.982	4	2.3	Distributor cap		GB924	Auto,w/ cat			
					Distributor rotor		GB944	Auto,w/ cat			
W124	09.85 - 08.93	M 102.982	4	2.3	Distributor cap		GB924	Manual,w/ cat			
					Distributor rotor		GB944	Manual,w/ cat			
230.4											
W115	08.73 - 12.76	M 115.951	4	2.3	Distributor cap		GB739				
					Distributor rotor		GB782				
					Contact set		GB769				
					Condensor		GB814				
230.6											
W114	08.73 - 11.76	M 180.954	6	2.3	Distributor cap	11.74 - 11.76	GB796				
					Distributor rotor	11.74 - 11.76	GB782				
					Contact set	11.74 - 11.76	GB769				
					Condensor	11.74 - 11.76	GB814				
250											
W114	07.72 - 11.76	M 130.923	6	2.8	Distributor cap	11.74 - 11.76	GB796				
					Distributor rotor	11.74 - 11.76	GB782				
					Contact set	11.74 - 11.76	GB769				
					Condensor	11.74 - 11.76	GB814				
250C											
W114	07.72 - 11.76	M 130.923	6	2.8	Distributor cap	11.74 - 11.76	GB796				
					Distributor rotor	11.74 - 11.76	GB782				
					Contact set	11.74 - 11.76	GB769				
					Condensor	11.74 - 11.76	GB814				
260E											
W124	09.85 - 10.92	M 103.940	6	2.6	Distributor cap		GB889				
					Distributor rotor		GB890				
280											
W114	06.72 - 11.76	M 110.921	6	2.8	Distributor cap		GB775				
					Distributor rotor		GB780				
					Contact set		GB772				
					Condensor		GB761				
280C											
W114	06.72 - 02.77	M 110.921	6	2.8	Distributor cap		GB775				
					Distributor rotor		GB780				
					Contact set		GB772				
					Condensor		GB761				
280CE											
W114	06.72 - 01.77	M 110.981	6	2.8	Distributor cap		GB775				



					Product			
--	--	--	--	--	----------------	--	--	--

◀ MERCEDES-BENZ

W114	06.72 - 01.77	M 110.981	6	2.8	Distributor rotor		GB780			
					Contact set		GB770			
					Condensor		GB755			
W123	03.77 - 11.85	M 110.984,988	6	2.8	Distributor cap	03.77 - 03.80	GB976			
						04.80 - 08.81	GB978			
						09.81 - 11.85	GB860			
					Distributor rotor	03.77 - 12.80	GB780			
						01.81 - 08.81	GB729			
						09.81 - 11.85	GB861			
					Eng. →10/50,20/50 022573, →12/52,22/62 074949	6	2.8	Distributor cap		GB976
					Eng. 10/50,20/50 022574→, 12/52,22/62 074949→	6	2.8	Distributor cap		GB841
										GB978
								Distributor rotor		GB842

280E

W114	06.72 - 11.76	M 110.981	6	2.8	Distributor cap		GB775			
					Distributor rotor		GB780			
					Contact set		GB770			
					Condensor		GB755			
W123	02.76 - 11.85	M 110.98...	6	2.8	Distributor cap	02.76 - 07.76	GB976			
						08.76 - 03.80	GB976			
						04.80 - 08.81	GB978			
						09.81 - 11.85	GB860			
					Distributor rotor	02.76 - 07.76	GB780			
						08.76 - 12.80	GB780			
						01.81 - 08.81	GB729			
						09.81 - 11.85	GB861			
					Eng. →10/50,20/50 022573, →12/52,22/62 074949	6	2.8	Distributor cap		GB976
					Eng. 10/50,20/50 022574→, 12/52,22/62 074949→	6	2.8	Distributor cap		GB841
					GB978					
			Distributor rotor		GB842					

280S

W116	08.72 - 12.75	M 110.922	6	2.8	Distributor cap		GB775			
					Distributor rotor		GB780			
					Contact set		GB772			
					Condensor		GB761			
			6	2.8	Distributor cap		GB976			
					Eng. →10/50,20/50 040981, →12/52,22/62 068414					
					Eng. 10/50,20/50 040982→, 12/52,22/62 068415→	6	2.8	Distributor cap		GB841
									GB978	
					Distributor rotor		GB842			

280SE

W116	09.72 - 07.76	M 110.983	6	2.8	Distributor cap		GB775			
					Distributor rotor		GB780			
					Contact set		GB770			
					Condensor		GB755			
	08.76 - 07.80	M 110.985	6	2.8	Distributor cap	08.76 - 09.76	GB976			
						10.76 - 07.80	GB976			
					Distributor rotor	08.76 - 09.76	GB780			
						10.76 - 07.80	GB780			
					Eng. →10/50,20/50 014373, →12/52,22/62 075138	6	2.8	Distributor cap		GB976
					Eng. 10/50,20/50 014537→, 12/52,22/62 075138→	6	2.8	Distributor cap		GB841
										GB978
								Distributor rotor		GB842

							Product			
			Type	Cyl.	Room			Period Date	Bosch Part Number	Special Cases
W126	10.79 - 07.85	M 110.987,989	6	2.8			Distributor cap	10.79 - 03.80	GB976	
								04.80 - 08.81	GB978	
								09.81 - 07.85	GB860	
							Distributor rotor	10.79 - 03.80	GB780	
								04.80 - 08.81	GB729	
								09.81 - 07.85	GB861	
		Eng. →10/50,20/50 000439, →12/52,22/62 002442	6	2.8			Distributor cap		GB976	
		Eng. 10/50,20/50 000440→, 12/52,22/62 002443→	6	2.8			Distributor cap		GB841	
									GB978	
							Distributor rotor		GB842	
280SL										
W107	08.74 - 05.76	M 110.982, 986, 990	6	2.8			Distributor cap		GB775	
							Distributor rotor		GB780	
							Contact set		GB770	
							Condensor		GB975	
280SLC										
W107	08.74 - 05.76	M 110.982, 986	6	2.8			Distributor cap		GB775	
							Distributor rotor		GB780	
							Contact set		GB770	
							Condensor		GB975	
280TE										
W123	02.76 - 11.85	M 110.984,988	6	2.8			Distributor cap		GB976	
		Eng. →10/50,20/50 022573, →12/52,22/62 074949	6	2.8			Distributor cap		GB841	
		Eng. 10/50,20/50 022574→, 12/52,22/62 074949→	6	2.8			Distributor cap		GB978	
							Distributor rotor		GB842	
300CE										
W124	03.87 - 06.93	M 103.983	6	3.0			Distributor cap		GB889	
							Distributor rotor		GB890	
	09.89 - 12.92	M 104.980	6	3.0			Distributor cap		GB934	
							Distributor rotor		GB935	
300E										
W124	01.85 - 08.93	M 103.980;983	6	3.0			Distributor cap		GB889	
							Distributor rotor		GB890	
300SE										
W126	09.85 - 06.91	M 103.981	6	3.0			Distributor cap		GB889	
							Distributor rotor		GB890	
	09.89 - 06.91	M 103.981	6	3.0			Distributor cap		GB889	
							Distributor rotor		GB890	
W140	03.91 - 05.93	M 104.990	6	3.2			Distributor cap		GB934	
							Distributor rotor		GB935	
300SEL										
W109	03.68 - 08.72	M 100.981	8	6.3			Distributor cap		GB635	
							Distributor rotor		GB747	
							Contact set		GB185	
							Condensor		GB61	
300TE										
W124	01.86 - 08.92	M 103.983	6	3.0			Distributor cap		GB889	
							Distributor rotor		GB890	





◀ MERCEDES-BENZ

350SE

W116	08.72 - 02.76	M 116.983	8	3.5	Distributor cap	10.74 - 02.76	GB777
					Distributor rotor	10.74 - 02.76	GB778
					Contact set	10.74 - 02.76	GB773

350SEL

W116	01.75 - 02.76	M 116.983	8	3.5	Distributor cap		GB777
					Distributor rotor		GB778
					Contact set		GB773

350SL

W107	05.71 - 02.76	M 116.982,984	8	3.5	Distributor cap	10.74 - 02.76	GB777
					Distributor rotor	10.74 - 02.76	GB778
					Contact set	10.74 - 02.76	GB773
	03.76 - 02.80	M 116.982,984	8	3.5	Distributor cap		GB777
					Distributor rotor		GB778

350SLC

W107	01.72 - 02.76	M 116.982,984	8	3.5	Distributor cap	10.74 - 02.76	GB777
					Distributor rotor	10.74 - 02.76	GB778
					Contact set	10.74 - 02.76	GB773
	03.76 - 02.80	M 116.982,984	8	3.5	Distributor cap		GB777
					Distributor rotor		GB778

380SE / SEL

W126	12.79 - 08.85	M 116.961,963	8	3.8	Distributor cap		GB843
					Distributor rotor	12.79 - 08.81	GB747
						09.81 - 08.85	GB869

380SEC

W126	10.81 - 07.85	M 116.963	8	3.8	Distributor cap		GB843
					Distributor rotor		GB869

380SL

W107	07.80 - 08.85	M 116.960,962	8	3.8	Distributor cap		GB843
					Distributor rotor	07.80 - 08.81	GB747
						09.81 - 08.85	GB869

400SE

W140	02.91 - 05.93	M 119.971;981 Eng. →..001536	8	4.2	Distributor cap		GB936			
					Distributor rotor		GB968			
					Eng. ..001537→	8	4.2	Distributor cap		GB936
								Distributor rotor		GB968

420SEL

W126	09.85 - 06.91	M 116.965	8	4.2	Distributor cap		GB891
					Distributor rotor		GB892

450SE

W116	01.73 - 11.75	M 117.983	8	4.5	Distributor cap	10.74 - 11.75	GB777
					Distributor rotor	10.74 - 11.75	GB779
					Contact set	10.74 - 11.75	GB773
	12.75 - 04.80	M 117.986	8	4.5	Distributor cap	12.75 - 10.77	GB777
					Distributor rotor	11.77 - 04.80	GB779
					Distributor rotor	12.75 - 10.77	GB779
					11.77 - 04.80	GB779	

450SEL

W116	01.73 - 11.75	M 117.983	8	4.5	Distributor cap	10.74 - 11.75	GB777
					Distributor rotor	10.74 - 11.75	GB779
					Contact set	10.74 - 11.75	GB773

						Product			
W116	07.75 - 03.80	M 100.985	8	6.8		Distributor cap			GB777
						Distributor rotor			GB967
	12.75 - 04.80	M 117.986	8	4.5		Distributor cap	12.75 - 10.77		GB777
							11.77 - 04.80		GB777
						Distributor rotor	12.75 - 10.77		GB779
						11.77 - 04.80		GB779	
450SL									
W107	01.73 - 11.75	M 117.982, 985	8	4.5		Distributor cap	10.74 - 11.75		GB777
						Distributor rotor	10.74 - 11.75		GB779
						Contact set	10.74 - 11.75		GB773
	12.75 - 10.80	M 117.982, 985	8	4.5		Distributor cap	12.75 - 10.77		GB777
							11.77 - 10.80		GB777
					Distributor rotor	12.75 - 10.77		GB779	
						11.77 - 10.80		GB779	
450SLC									
W107	01.73 - 11.75	M 117.982, 985	8	4.5		Distributor cap	10.74 - 11.75		GB777
						Distributor rotor	10.74 - 11.75		GB779
						Contact set	10.74 - 11.75		GB773
	12.75 - 09.80	M 117.982, 985	8	4.5		Distributor cap	12.75 - 10.77		GB777
							11.77 - 09.80		GB777
					Distributor rotor	12.75 - 10.77		GB779	
						11.77 - 09.80		GB779	
500SE									
W140	02.91 - 05.93	M 119.970;980 Eng. →..003624	8	5.0		Distributor cap			GB936
						Distributor rotor			GB968
500SEC									
W126	10.81 - 08.85	M 117.963	8	5.0		Distributor cap			GB843
						Distributor rotor			GB869
W140	10.92 - 05.93	M 119.970;980 Eng. →..003624	8	5.0		Distributor cap			GB936
						Distributor rotor			GB968
500SL									
W129	09.89 - 08.92	M 119.960	8	5.0		Distributor cap			GB936
						Distributor rotor			GB968
									NTA
560SEC									
W126	10.85 - 06.91	M 117.968	8	5.6		Distributor cap			GB891
						Distributor rotor			GB892
560SEL									
W126	10.85 - 06.91	M 117.968 <KAT>	8	5.6		Distributor cap			GB891
						Distributor rotor			GB892
560SL									
W107	09.85 - 08.89	M 117.967	8	5.6		Distributor cap			GB891
						Distributor rotor			GB892
600									
W100	09.64 - 05.81	M 100.980, 982	8	6.3		Distributor cap	12.65 - 05.81		GB635
						Distributor rotor	12.65 - 05.81		GB747
						Contact set	12.65 - 05.81		GB185
						Condensor	12.65 - 05.81		GB61
600SL									
W129	07.92 - 06.93	M 120.981;983	12	6.0		Distributor cap			GB973
						Distributor rotor			GB925





MG

MGB

01.66 - 12.81	4	1.8	Distributor cap	01.66 - 12.74	GL276
				01.75 - 12.80	GL109
			Distributor rotor	01.66 - 12.74	GL229
				01.75 - 12.80	GL803
			Contact set	01.66 - 12.74	GL19
				01.75 - 12.80	GL769
			Condensor	01.66 - 12.74	GL103
				01.75 - 12.80	GL179

MGB GT

08.73 - 11.80	4	1.8	Distributor cap	08.73 - 12.74	GL276
				01.75 - 11.80	GL109
			Distributor rotor	08.73 - 12.74	GL229
				01.75 - 11.80	GL803
			Contact set	08.73 - 12.74	GL19
				01.75 - 11.80	GL769
			Condensor	08.73 - 12.74	GL103
				01.75 - 11.80	GL179

MGB GT V8

08.73 - 11.76	V8	8	3.5	Distributor cap	GL665
				Distributor rotor	GL803
				Contact set	GL19V
				Condensor	GL103

Midget

02.68 - 12.72	4	1.3	Distributor cap	GL268
			Distributor rotor	GL229
			Contact set	GL19
			Condensor	GL103

mitsubishi

Colt

RA	11.80 - 09.82	4G12	4	1.4	Distributor cap	GM347
					Distributor rotor	GM533
					Contact set	GM543
					Condensor	GM553
RB	10.82 - 03.84	4G32	4	1.6	Distributor cap	GB820
					Distributor rotor	GB787
					Contact set	GB534
					Condensor	GB815
		4G33	4	1.4	Distributor cap	GB820
	Distributor rotor				GB787	
	Contact set				GB534	
	Condensor				GB815	
RC	04.84 - 12.85	4G32	4	1.6	Distributor cap	GB820
					Distributor rotor	GB787
					Contact set	GB534
					Condensor	GB815
		4G33	4	1.4	Distributor cap	GB820
	Distributor rotor				GB787	
	Contact set				GB534	
	Condensor				GB815	
RD	01.86 - 08.88	4G32	4	1.6	Distributor cap	GB820
					Distributor rotor	GB787
					Contact set	GB534
					Condensor	GB815
		4G33	4	1.4	Distributor cap	GB820





		Type	Cyl.	/Room	Product	
RD	01.86 - 08.88	4G33	4	1.4	Distributor rotor	GB787
					Contact set	GB534
					Condensor	GB815
RE	09.88 - 12.90	4G32	4	1.6	Distributor cap	GB820
					Distributor rotor	GB787
					Contact set	GB534
	4G33	4	1.4	Distributor cap	GB820	
				Distributor rotor	GB787	
				Contact set	GB534	
			Condensor	GB815		
Cordia						
AA, AB	04.83 - 10.84	4G32	4	1.6	Distributor cap	GM347
					Distributor rotor	GM533
	11.84 - 12.85	4G37	4	1.8	Contact set	GM543
					Condensor	GM553
AC	01.86 - 12.89	4G37	4	1.8	Distributor cap	GM347
					Distributor rotor	GM533
Cordia Turbo						
AA, AB	05.84 - 12.85	4G62	4	1.8	Distributor cap	GM557
					Distributor rotor	GM533
AC	01.86 - 12.89	4G62	4	1.8	Distributor cap	GM557
					Distributor rotor	GM533
Express / Starwagon L300						
SA	03.80 - 12.81	4G32	4	1.6	Distributor cap	GM557
					Distributor rotor	GM533
					Contact set	GM543
					Condensor	GM553
SB	01.82 - 09.82	4G32	4	1.6	Distributor cap	GM557
					Distributor rotor	GM533
					Contact set	GM543
					Condensor	GM553
SC	10.82 - 12.84	4G32	4	1.6	Distributor cap	GM557
					Distributor rotor	GM533
					Contact set	GM543
					Condensor	GM553
	4G62	4	1.8	Distributor cap	GD684	
				Distributor rotor	GD527	
SD	01.85 - 12.85	4G32	4	1.6	Contact set	GD207
					Condensor	GD209
					Distributor cap	GM557
					Distributor rotor	GM533
	4G62	4	1.8	Contact set	GM543	
				Condensor	GM553	
SE	01.86 - 09.86	4G32	4	1.6	Distributor cap	GD684
					Distributor rotor	GD527
					Contact set	GD207
					Condensor	GD209
SF	01.86 - 12.90	4G63	4	2.0	Distributor cap	GM554
					Distributor rotor	GM533
					Distributor cap	GM557
					Distributor rotor	GM533





◀ MITSUBISHI

		Type	Cyl.	/Room	Product	Filter Data	Bosch Part Number	Special Cases
SF	01.86 - 12.90	4G64	4	2.4	Distributor cap		GM347	
					Distributor rotor		GM591	
SF, SG	01.86 - 12.90	4G63	4	2.0	Distributor cap		GD684	
					Distributor rotor		GD527	
		4G64	4	2.4	Distributor cap		GM347	
					Distributor rotor		GM591	
SE	01.86 - 10.86	4G63	4	2.0	Distributor cap		GD684	
					Distributor rotor		GD527	
SF	10.86 - 11.90	4G63	4	2.0	Distributor cap		GD684	
SF, SG	01.90 - 12.91	4G63	4	2.0	Distributor cap		GD684	
					Distributor rotor		GD527	
SG	01.90 - 12.91	4G63	4	2.0	Distributor cap		GD684	
					Distributor rotor		GD527	
		4G64	4	2.4	Distributor cap		GM347	
					Distributor rotor		GM591	
SH	09.91 - 08.94	4G64	4	2.4	Distributor cap		GM347	
					Distributor rotor		GM591	
	01.92 - 08.94	4G63	4	2.0	Distributor cap		GM347	
					Distributor rotor		GM591	
SJ	09.94 - 02.01	4G64	4	2.4	Distributor cap		GM855	
					Distributor rotor		GM859	
WA	09.94 - 06.06	4G64	4	2.4	Distributor cap		GM855	
					Distributor rotor		GM859	
SJ	09.94 - 08.00	4G63	4	2.0	Distributor cap		GD684	
					Distributor rotor		GD527	

Express Utility L200

MA	03.80 - 12.81	4G32	4	1.6	Distributor cap		GM557	
					Distributor rotor		GM533	
					Contact set		GM543	
					Condensor		GM553	
MB	01.81 - 12.84	4G52	4	2.0	Distributor cap		GM554	
					Distributor rotor		GM555	
MA	06.81 - 12.81	4G52	4	2.0	Distributor cap		GM554	
					Distributor rotor		GM555	
MB	01.82 - 09.82	4G32	4	1.6	Distributor cap		GM557	
					Distributor rotor		GM533	
					Contact set		GM543	
		4G52	4	2.0	Distributor cap		GM554	
					Distributor rotor		GM555	
					Condensor		GM553	
MC	10.82 - 12.84	4G32	4	1.6	Distributor cap		GM557	
					Distributor rotor		GM533	
					Contact set		GM543	
					Condensor		GM553	
		4G63	4	2.0	Distributor cap		GD679	
					Distributor rotor		GD527	
					Condensor		GM553	
MD	01.85 - 12.85	4G63	4	2.0	Distributor cap		GD679	
					Distributor rotor		GD527	
		4G32	4	1.6	Distributor cap		GM557	
					Distributor rotor		GM533	

Galant

HG	01.89 - 12.90	4G63 SOHC	4	2.0	Distributor cap		GM347	
					Distributor rotor		GM591	
HH	01.90 - 12.93	4G63 SOHC	4	2.0	Distributor cap		GM573	
					Distributor rotor		GM859	



HJ	11.92 - 05.96	4G63 Kat.	4	2.0	Distributor cap	GM850	
					Distributor rotor	GM844	
		4G63 SOHC Kat.	4	2.0	Distributor cap	GM850	
					Distributor rotor	GM844	
Lancer							
LC	10.80 - 08.81	4G32	4	1.6	Distributor cap	GM347	
					Distributor rotor	GM517	
					Contact set	GM216	
					Condensor	GM556	
CA	08.88 - 09.90	4G15	4	1.5	Distributor cap	GM347	
					Distributor rotor	GM533	
	01.89 - 09.90	4G15	4	1.5	Distributor cap	GM347	
					Distributor rotor	GM591	
	09.89 - 09.90	4G15	4	1.5	Distributor cap	GM347	
					Distributor rotor	GM591	
CB	10.90 - 09.92	4G15	4	1.5	Distributor cap	GM845	Carb
						GM848	EFI
					Distributor rotor	GM846	Carb
						GM849	EFI
C6/C7	06.92 - 07.95	4G15	4	1.5	Distributor cap	GM845	
					Distributor rotor	GM846	
CC	10.92 - 06.96	4G15	4	1.5	Distributor cap	GM845	
					Distributor rotor	GM846	
		4G92 Kat.	4	1.6	Distributor cap	GM585	
					Distributor rotor	GM844	
		4G93 Kat.	4	1.8	Distributor cap	GM585	
					Distributor rotor	GM844	
CK/CP/CN	11.95 - 09.00	4G15	4	1.5	Distributor cap	GM827	
					Distributor rotor	GM829	
CE	01.98 - 02.03	4G15	4	1.5	Distributor cap	GM827	
					Distributor rotor	GM829	
L200							
K0/K1/K2/K3	06.90 - 05.91	6G72	6	3.0	Distributor rotor	GM572	
L300							
P	11.86 - 10.88	G64B Kat.	4	2.4	Distributor cap	GM823	
					Distributor rotor	GM591	
	11.88 - 05.94	4G64 Kat.	4	2.4	Distributor cap	GM823	
					Distributor rotor	GM591	
	11.90 - 05.96	4G64 Kat.	4	2.4	Distributor cap	GM823	
					Distributor rotor	GM591	
Magna / Verada							
TM	04.85 - 03.87	4G54 <Astron II>	4	2.6	Distributor cap	GB852	
					Distributor rotor	GB851	
TN	04.87 - 05.89	4G54 <Astron II>	4	2.6	Distributor cap	GB852	
					Distributor rotor	GB851	
					4G54 EFI <Astron II>	4	2.6
TP	06.89 - 04.92	4G54 <Astron II>	4	2.6	Distributor rotor	GB885	BO
					Distributor cap	GB852	
					Distributor rotor	GB851	
TR	04.91 - 02.94	4G54 EFI	4	2.6	Distributor cap	GB852	BO
					Distributor rotor	GB885	BO
					Distributor cap	GB852	
KR	07.91 - 02.94	6G72	6	3.0	Distributor cap	GM584	
					Distributor rotor	GM572	
TR	10.91 - 02.94	4G54	4	2.6	Distributor cap	GB852	BO
					Distributor rotor	GB851	BO
	04.93 - 02.94	6G72	6	3.0	Distributor cap	GM584	
					Distributor rotor	GM572	





◀ MITSUBISHI

		Type	Cyl.	/Room	Product	Filter Data	Bosch Part Number	Special Cases
KS	03.94 - 09.96	6G72 <E32>	6	3.0	Distributor cap		GM584	
					Distributor rotor		GM572	
TS	03.94 - 12.96	4G54	4	2.6	Distributor cap		GB852	
					Distributor rotor		GB851	
	03.94 - 02.97	4G54	4	2.6	Distributor cap		GB852	
					Distributor rotor		GB885	
	6G72	6	3.0	Distributor cap		GM584		
				Distributor rotor		GM572		
TE	04.96 - 05.97	4G64	4	2.4	Distributor cap		GM828	
					Distributor rotor		GM829	
					6G72	6	3.0	Distributor cap
					Distributor rotor		GM831	
KE	10.96 - 05.97	6G72	6	3.0	Distributor cap		GM830	
					Distributor rotor		GM831	
					6G74 <E35>	6	3.5	Distributor cap
					Distributor rotor		GM831	
KF	06.97 - 03.99	6G72	6	3.0	Distributor cap		GM830	
					Distributor rotor		GM831	
					6G74 <E35>	6	3.5	Distributor cap
					Distributor rotor		GM831	
TF	06.97 - 03.99	4G64	4	2.4	Distributor cap		GM828	
					Distributor rotor		GM829	
					6G72	6	3.0	Distributor cap
					Distributor rotor		GM831	
KH	04.99 - 07.00	6G74 <E35>	6	3.5	Distributor cap		GM830	
					Distributor rotor		GM831	
TH	04.99 - 07.00	6G72 <E32>	6	3.0	Distributor cap		GM830	
					Distributor rotor		GM831	
					6G74 <E35>	6	3.5	Distributor cap
					Distributor rotor		GM831	
KJ	08.00 - 07.01	6G74 <E35>	6	3.5	Distributor cap		GM830	
					Distributor rotor		GM831	
TJ	08.00 - 06.02	6G74 <E32>	6	3.0	Distributor cap		GM830	
					Distributor rotor		GM831	
		6G74 <E35>	6	3.5	Distributor cap		GM830	
					Distributor rotor		GM831	
KJ	08.01 - 06.02	6G74 <E35>	6	3.5	Distributor cap		GM830	
					Distributor rotor		GM831	
KJ II	07.02 - 05.03	6G74 <E35>	6	3.5	Distributor cap		GM830	
					Distributor rotor		GM831	
TJ II	07.02 - 06.03	6G74 <E35>	6	3.5	Distributor cap		GM830	
					Distributor rotor		GM831	
KJ II	12.02 - 07.03	6G74 <E35>	6	3.5	Distributor cap		GM830	
					Distributor rotor		GM831	
TJ II	12.02 - 01.04	6G74 <E35>	6	3.5	Distributor cap		GM830	
					Distributor rotor		GM831	
KL	06.03 - 09.04	6G74 <E35>	6	3.5	Distributor cap		GM830	
					Distributor rotor		GM831	
TL	06.03 - 09.04	6G74 <E35>	6	3.5	Distributor cap		GM830	
					Distributor rotor		GM831	
KL	08.03 - 09.04	6G74 <E35>	6	3.5	Distributor cap		GM830	
					Distributor rotor		GM831	
TL	02.04 - 09.04	6G74 <E35>	6	3.5	Distributor cap		GM830	
					Distributor rotor		GM831	
KW	10.04 - 09.05	6G74 <E35>	6	3.5	Distributor cap		GM830	
					Distributor rotor		GM831	
TW	10.04 - 09.05	6G74 <E35>	6	3.5	Distributor cap		GM830	
					Distributor rotor		GM831	
					6G74 <E40>	6	3.5	Distributor cap
					Distributor rotor		GM831	

Mirage

CE	06.96 - 12.03	4G15 S3	4	1.5	Distributor cap		GM827	
					Distributor rotor		GM829	



Nimbus									
UA	05.84 - 12.85	4G37	4	1.8	Distributor cap		GM557		
					Distributor rotor		GM533		
UB	01.86 - 08.87	4G37	4	1.8	Distributor cap		GM557		
					Distributor rotor		GM533		
UC	09.87 - 11.91	4G63	4	2.0	Distributor cap		GD684		
					Distributor rotor		GD527		
UF	01.92 - 11.98	4G64 SOHC	4	2.4	Distributor cap	01.92 - 05.92	GM573		
						06.92 - 05.95	GM807		
					Distributor rotor	01.92 - 05.92	GM859		
						06.92 - 05.95	GM576		
					06.95 - 11.98	GM829			
Pajero									
NA/NB/NC/ND/ NE/NF/NG	12.82 - 04.91	4G54	4	2.6	Distributor cap		GM557		
					Distributor rotor	10.86 - 04.91	GM533		
					Eng. DT 8640→	4	2.6	Distributor cap	GM347
							Distributor rotor	GM533	
		Eng. →DT 8639	4	2.6	Distributor cap	GM554			
					Distributor rotor	GM555			
NF/NG	09.88 - 04.91	6G72	6	3.0	Distributor cap		GM571		
					Distributor rotor		GM572		
NH	05.91 - 10.93	4G54	4	2.6	Distributor cap		GM557		
					Distributor rotor		GM533		
NH/NJ/NK	05.91 - 08.97	6G72	6	3.0	Distributor cap		GM571		
					Distributor rotor		GM572		
Sigma									
GE	10.77 - 12.79	M324, M334	4	1.9	Distributor cap		GB820		
					Distributor rotor		GB502		
	10.77 - 04.80	4G32	4	1.6	Distributor cap		GM347		
					Distributor rotor		GM517		
					Contact set		GM216		
					Condensor		GM409		
	01.79 - 04.80	M421-31, M425-35	4	2.0	Distributor cap		GB820		
					Distributor rotor		GB502		
		M531-35	4	2.6	Distributor cap		GB820		
					Distributor rotor		GB502		
GH	05.80 - 02.82	M431, M432	4	2.0	Distributor cap		GB820		
					Distributor rotor		GB502		
	M531, M532	4	2.6	Distributor cap		GB820			
				Distributor rotor		GB502			
	4G32	4	1.6	Distributor cap		GM347			
				Distributor rotor		GM517			
				Contact set		GM216			
				Condensor		GM409			
	10.81 - 02.82	4G52 Turbo	4	2.0	Distributor cap		GB820		
					Distributor rotor		GB502		
GJ	03.82 - 02.84	M431, M432	4	2.0	Distributor cap		GB820		
					Distributor rotor		GB502		
	M531, M532	4	2.6	Distributor cap		GB820			
				Distributor rotor		GB502			
	4G32	4	1.6	Distributor cap		GM347			
				Distributor rotor		GM517			
					Contact set	GM216			
					Condensor	GM409			
GK	03.84 - 06.85	M432	4	2.0	Distributor cap		GB852		
					Distributor rotor		GB851		
	M531	4	2.6	Distributor cap		GB852			
				Distributor rotor		GB851			
	M532	4	2.6	Distributor cap		GB852			
				Distributor rotor		GB851			
M561	4	2.6	Distributor cap		GB852				
			Distributor rotor		GB851				



						Product			
		Type	Cyl.	/Room			Fitment Data	Bosch Part Number	Special Cases

◀ MITSUBISHI

GK	03.84 - 06.85	M562	4	2.6	Distributor cap	GB852
					Distributor rotor	GB851
GN	07.85 - 12.85	M462T	4	2.0	Distributor cap	GB852
					Distributor rotor	GB851
	07.85 - 12.87	M562T	4	2.6	Distributor cap	GB852
					Distributor rotor	GB851
		M571	4	2.6	Distributor cap	GB852
					Distributor rotor	GB851
		M572	4	2.6	Distributor cap	GB852
					Distributor rotor	GB851

Sigma Scorpion

GE	10.77 - 12.79	4G52	4	2.0	Distributor cap	GM347	
					Distributor rotor	GM824	
					Condensor	GM547	
GE, GH	07.79 - 10.80	4G54	4	2.6	Distributor cap	GM347	
					Eng. →52E40449	Distributor rotor	GM533
					Eng. 52E40450→	Distributor cap	GM548
						Distributor rotor	GM549
GJ, GK, GL	11.80 - 10.85	4G54	4	2.6	Distributor cap	GM554	
					Distributor rotor	GM555	

Starion

JA	03.82 - 08.84	4G63T	4	2.0	Distributor cap	GM554
					Distributor rotor	GM555
JB	09.84 - 12.85	4G63T	4	2.0	Distributor cap	GM347
					Distributor rotor	GM533
JD	01.86 - 12.87	4G63T	4	2.0	Distributor cap	GM554
					Distributor rotor	GM555

Triton

ME	10.86 - 06.88	4G54	4	2.6	Distributor cap	GM557
					Distributor rotor	GM533
MF	07.88 - 08.89	4G54	4	2.6	Distributor cap	GM557
					Distributor rotor	GM533
MG	09.89 - 08.90	4G54	4	2.6	Distributor cap	GM557
					Distributor rotor	GM533
MH	09.90 - 07.92	4G54	4	2.6	Distributor cap	GM557
					Distributor rotor	GM533
MJ	10.90 - 09.96	6G72	6	3.0	Distributor cap	GM571
					Distributor rotor	GM572
	08.92 - 09.96	4G54	4	2.6	Distributor cap	GM557
					Distributor rotor	GM533
MK	10.96 - 12.03	4G64	4	2.4	Distributor cap	GM855
					Distributor rotor	GM859

NISSAN**Bluebird**

910	04.81 - 05.83	L20B	4	2.0	Distributor cap	GB820
					Distributor rotor	GB787
	06.83 - 01.85	L20B	4	2.0	Distributor cap	GB852
					Distributor rotor	GB851
U13	02.85 - 06.86	CA20S	4	2.0	Distributor cap	GH633
					Distributor rotor	GH675
U13	07.93 - 09.97	KA24DE	4	2.4	Distributor cap	GH812
					Distributor rotor	GH813

Datsun Pick-Up

521	05.68 - 12.71	J13	4	1.3	Distributor cap	GH506
					Distributor rotor	GH600



521	05.68 - 12.71	J13	4	1.3	Contact set		GH203			
					Condensor		GH208			
		J15			4	1.5	Distributor cap		GH506	
							Distributor rotor		GH600	
							Contact set		GH203	
	Condensor		GH208							

620	01.72 - 12.80	J15	4	1.5	Distributor cap		GH506	HIT
					Distributor rotor		GH600	HIT
					Contact set		GH203	HIT
					Condensor		GH208	HIT

Datsun Stanza

A10	05.78 - 12.83	L16	4	1.6	Distributor cap	05.78 - 12.78	GH506	HIT
						01.79 - 12.83	GB820	BO
					Distributor rotor	05.78 - 12.78	GH600	HIT
						01.79 - 12.83	GB787	BO
					Contact set	05.78 - 12.78	GH203	HIT
						01.79 - 12.83	GB700	BO
					Condensor	05.78 - 12.78	GH208	HIT
						01.79 - 12.83	GB824	BO

Datsun Sunny

B310	08.78 - 12.79	A12	4	1.2	Distributor cap		GH506	
					Distributor rotor		GH600	
					Contact set		GH203	
					Condensor		GH208	
	09.80 - 02.82	A15	4	1.5	Distributor cap		GH506	
					Distributor rotor		GH600	
					Contact set		GH203	
					Condensor		GH208	

Datsun Sunny Van

B310	08.78 - 02.82	A12	4	1.2	Distributor cap		GH506	
					Distributor rotor		GH600	
					Contact set		GH203	
					Condensor		GH208	

Datsun 120Y

B210	07.73 - 07.78	A12	4	1.2	Distributor cap		GH506	HIT
					Distributor rotor		GH600	HIT
					Contact set		GH203	HIT
					Condensor		GH208	HIT

Datsun 180B

610	09.72 - 11.77	L18	4	1.8	Distributor cap	09.72 - 03.75	GL278	LUC
						07.76 - 11.77	GH604	HIT
					Distributor rotor	09.72 - 03.75	GL256	LUC
						07.76 - 11.77	GH605	HIT
					Contact set	09.72 - 03.75	GL19	LUC
						07.76 - 11.77	GH601	HIT
					Condensor	09.72 - 03.75	GL103	LUC
						07.76 - 11.77	GH602	HIT
							GH603	HIT,ZUS

Datsun 200B

810	10.77 - 05.81	L20B	6	2.0	Distributor cap		GB820	BO
							GH506	HIT
					Distributor rotor		GB787	BO
							GH600	HIT
					Contact set		GB700	BO
							GH203	HIT
					Condensor		GB824	BO
							GH208	HIT





◀ NISSAN

Datsun 240K

C110	09.72 - 11.77	L24	6	2.4	Distributor cap	12.75 - 03.76	GH526
					Distributor rotor	12.75 - 03.76	GH600
					Contact set	12.75 - 03.76	GH203
					Condensor	12.75 - 03.76	GH208

Datsun 240Z

S30	10.69 - 07.73	L24	6	2.4	Distributor cap		GH526
					Distributor rotor		GH600
					Contact set		GH203
					Condensor		GH208

Datsun 260Z

S30	08.73 - 06.78	L26	6	2.6	Distributor cap	08.73 - 03.76	GH526
					Distributor rotor	08.73 - 03.76	GH600
					Contact set	08.73 - 03.76	GH203
					Condensor	08.73 - 03.76	GH208

Datsun 280C

330	06.77 - 05.79	L28	6	2.8	Distributor cap		GH526
					Distributor rotor		GH600
					Contact set		GH203
					Condensor		GH208
430	06.79 - 10.82	L28	6	2.8	Distributor cap		GH526
					Distributor rotor		GH600
					Contact set		GH203
					Condensor		GH208
	11.82 - 04.83	L28E	6	2.8	Distributor cap		GH526
					Distributor rotor		GH600
					Contact set		GH203
					Condensor		GH208

Datsun 1600

510	09.67 - 07.71	L16	4	1.6	Distributor cap	09.67 - 01.71	GH506	HIT
						01.71 - 07.71	GL278	LUC
					Distributor rotor	09.67 - 01.71	GH600	HIT
						01.71 - 07.71	GL256	LUC
					Contact set	09.67 - 01.71	GH203	HIT
						01.71 - 07.71	GL19	LUC
					Condensor	09.67 - 01.71	GH208	HIT
						01.71 - 07.71	GL103	LUC

Exa

	10.83 - 02.86	E15ET	4	1.5	Distributor cap		GH633
					Distributor rotor		GH605
	03.86 - 06.87	E15ET	4	1.5	Distributor cap		GH633
					Distributor rotor		GH605

Gazelle

S12	10.83 - 02.88	CA20E	4	2.0	Distributor cap	06.86 - 02.88	GH615
					Distributor cap	10.83 - 05.86	GH818
					Distributor rotor		GH616

Homer

	01.76 - 12.83	H20	4	2.0	Distributor cap		GH506
					Distributor rotor		GH600
					Contact set		GH203
					Condensor		GH208

Maxima

J30	02.90 - 06.94	VG30E	6	3.0	Distributor cap		GH654
					Distributor rotor		GH811



Micra

K11E	05.95 - 12.97	CG13DE	4	1.3	Distributor cap		GH669
					Distributor rotor		GH663

Navara

D21	09.85 - 02.92	Z24	4	2.4	Distributor cap	09.85 - 02.88	GH623		
						03.88 - 02.92	GH615	Twin spark	
					Distributor rotor	09.85 - 02.88	GM841		
						03.88 - 02.92	GH674	Twin spark	
					Contact set	09.85 - 02.88	GH203		
		09.85 - 09.95	Z20	4	2.0	Condensator	09.85 - 02.88	GH634	
	Distributor cap						GH623		
	Distributor rotor						GM841		
	Contact set						GH203		
	Condensator						GH634		
	03.92 - 01.97	KA24E	4	2.4	Distributor cap		GM825	MIT	
					03.92 - 12.94	GH623	HIT		
					01.95 - 01.97	GH803	HIT		
Distributor rotor						GH670	MIT		
						GH808	HIT		
	06.92 - 03.97	VG30E	6	3.0	Distributor cap		GH678		
						GH811			
	02.97 - 06.00	KA24E	4	2.4	Distributor cap	02.97 - 06.99	GH803		
					07.99 - 06.00	GH623			
					Distributor rotor	02.97 - 06.99	GM837		
						07.99 - 06.00	GH643		
	02.97 - 12.05	KA24E	4	2.4	Distributor cap	02.97 - 06.99	GH803		
					07.99 - 07.00	GH623			
					Distributor rotor	02.97 - 06.99	GM837		
						07.99 - 07.00	GH643		
	06.00 - 11.05	VG30E	6	3.0	Distributor cap		GH678		
							GH811		

Nomad

	12.86 - 12.92	Z24	4	2.4	Distributor cap	12.86 - 09.87	GH623	
						10.87 - 12.92	GH615	Twin spark
					Distributor rotor	12.86 - 09.87	GM841	
						10.87 - 12.92	GH674	Twin spark
					Contact set	12.86 - 09.87	GH203	
					Condensator	12.86 - 09.87	GH634	

NX

B13	08.90 - 09.93	SR20DE	4	2.0	Distributor cap		GH801
					Distributor rotor		GH802

Pathfinder

D21	08.86 - 07.92	Z24S	4	2.4	Distributor cap	08.86 - 07.87	GH623		
						08.87 - 07.92	GH615	Twin spark	
					Distributor rotor	08.86 - 07.87	GM841		
						08.87 - 07.92	GH674	Twin spark	
					Contact set	08.86 - 07.87	GH203		
		07.92 - 07.95	VG30E	6	3.0	Condensator	08.86 - 07.87	GH634	
	Distributor cap						GH678		
	Distributor rotor						GH811		

Patrol

61	01.79 - 12.82	P40	6	4.0	Distributor cap		GH526
					Distributor rotor		GH600
					Contact set		GH203
					Condensator		GH208
160	11.79 - 08.88	P40	6	4.0	Distributor cap	11.79 - 06.85	GH526





◀ NISSAN

Model	Year Range	Type	Cyl	/Room	Product	Fitment Date	Bosch Part Number
160	11.79 - 08.88	P40	6	4.0	Distributor rotor	11.79 - 06.85	GH600
					Contact set	11.79 - 06.85	GH203
					Condensor	11.79 - 06.85	GH208
	07.80 - 08.88	L28	6	2.8	Distributor cap		GH526
					Distributor rotor		GH600
					Contact set		GH203
	02.88 - 12.95	TB42S	6	4.2	Distributor cap		GM810
					Distributor rotor		GM811
					Condensor		GH208
04.90 - 11.97	RB30S	6	3.0	Distributor cap		GM810	
				Distributor rotor		GM812	
Y60	04.90 - 11.97	RB30S	6	3.0	Distributor cap		GM810
					Distributor rotor		GM812
	01.92 - 12.95	TB42E	6	4.2	Distributor cap		GM813
					Distributor rotor		GM814
Y60	02.92 - 11.97	TB42E	6	4.2	Distributor cap		GM813
					Distributor rotor		GM814
Y61	08.97 - 10.01	TB45E	6	4.5	Distributor cap		GM853
					Distributor rotor		GM854

Pintara

R31	06.86 - 12.90	CA20E	4	2.0	Distributor cap		GB872
					Distributor rotor		GB873
U12	08.89 - 10.92	CA20E	4	2.0	Distributor cap		GB872
					Distributor rotor		GB873
			KA24E	4	2.4	Distributor cap	
					Distributor rotor		GH673

Prairie

M10	09.82 - 01.86	E15S	4	1.5	Distributor cap		GH609
						03.85 - 01.86	GH617
					Distributor rotor		GH600
						03.85 - 01.86	GH605
					Contact set		GH203
				Condensor		GH208	

Pulsar

N10	09.79 - 08.81	A14	4	1.4	Distributor cap		GH604
					Distributor rotor		GH605
					Contact set		GH203
					Condensor		GH608
							GH604
	09.80 - 07.81	A14	4	1.4	Distributor cap		GH604
					Distributor rotor		GH605
					Contact set		GH203
					Condensor		GH608
							GH506
	08.81 - 03.82	E13	4	1.3	Distributor cap		GH506
					Distributor rotor		GH600
					Contact set		GH203
					Condensor		GH208
							GH506
		E15	4	1.5	Distributor cap		GH506
						GH609	
					Distributor rotor		GH600
					Contact set		GH203
					Condensor		GH208
N12	04.82 - 12.85	E13	4	1.3	Distributor cap		GH506
					Distributor rotor		GH600
					Contact set		GH203
					Condensor		GH208
							GH506
	04.82 - 02.86	E15	4	1.5	Distributor cap	04.82 - 01.85	GH506
					02.85 - 02.86	GH617	

					Product				
N12	04.82 - 02.86	E15	4	1.5	Distributor rotor	04.82 - 01.85	GH600		
						02.85 - 02.86	GH605		
					Contact set	04.82 - 01.85	GH203		
					Condensor	04.82 - 01.85	GH208		
	04.84 - 07.87	E15T	4	1.5	Distributor cap		GH633		
					Distributor rotor	04.84 - 12.85	GH651		
	06.86 - 07.87	E16S	4	1.6	Distributor cap		GH617		
					Distributor rotor	01.86 - 07.87	GH643		
	N13	08.87 - 10.91	16LF	4	1.6	Distributor cap		GD697	
						Distributor rotor		GD698	
18LE		4	1.8	Distributor cap		GD697			
				Distributor rotor		GD698			
N14	08.91 - 05.95	GA16DE	4	1.6	Distributor cap		GH800	HIT	
							GM825	MIT	
					Distributor rotor		GH643	HIT	
	SR20DE	4	2.0	Distributor cap		GH670	MIT		
						GH801	HIT		
				Distributor rotor		GM851			
N15	08.95 - 06.00	GA16DE	4	1.6	Distributor cap		GH802	HIT	
							GM852	HUB	
	SR20DE	4	2.0	Distributor cap		GH803	HUB		
				Distributor rotor		GH804			
					GH805				
Serena									
	07.92 - 12.95	SR20DE	4	2.0	Distributor cap		GH661		
					Distributor rotor		GH664		
Skyline									
C210	10.77 - 07.81	L18	4	1.8	Distributor cap		GH506		
					Distributor rotor		GH600		
					Contact set		GH203		
					Condensor		GH208		
R30	08.81 - 08.85	L24E	6	2.4	Distributor cap		GH613		
					Distributor rotor		GH614		
R31	07.86 - 12.90	RB30E	6	3.0	Distributor cap		GH618	HIT	
							GM813	MIT	
					Distributor rotor		GH619	HIT	
					GM814	MIT			
The Ute									
XFN	01.88 - 12.91	V	6	4.1	Distributor cap		GB862	Optional	
							GB863	Optional	
					Distributor rotor		GB865		
Urvan									
E23	07.80 - 04.82	H20	4	2.0	Distributor cap		GM823		
					Distributor rotor		GM824		
					Contact set		GH203		
					Condensor		GH208		
	01.82 - 12.86	Z20	4	2.0	Distributor cap		GH506		
					Distributor rotor		GH600		
					Contact set		GH203		
					Condensor		GH208		
E24	11.86 - 06.97	Z24S	4	2.4	Distributor cap		GH623		
					Distributor rotor		GM841		
					Contact set		GH203		
					Condensor		GH634		
Vanette									
C120	10.78 - 05.81	A14	4	1.4	Distributor cap		GH506		
					Distributor rotor		GH600		





◀ NISSAN

C120	10.78 - 05.81	A14	4	1.4	Contact set		GH203	
					Condensor		GH208	
GC22	10.78 - 06.87	A15	4	1.5	Distributor cap		GH506	
					Distributor rotor		GH600	
					Contact set		GH203	
					Condensor		GH208	
	05.86 - 04.93	Z20S	4	2.0	Distributor cap		GM557	
GC22					Distributor rotor		GM533	
					Contact set		GH203	
					Condensor		GH208	
	09.86 - 04.93	Z20	4	2.0	Distributor cap		GH800	
					Distributor rotor		GM841	
				Contact set		GM217		
				Condensor		GH634		

280ZX

S130	09.78 - 05.84	L28E	6	2.8	Distributor cap		GH613	
					Distributor rotor		GH614	

300C

Y30	01.84 - 12.85	VG30E	6	3.0	Distributor cap		GH622	
					Distributor rotor		GH621	
	01.85 - 12.88	VG30E	6	3.0	Distributor cap		GH622	
					Distributor rotor		GH621	

300ZX

Z31	04.84 - 12.85	VG30E	6	3.0	Distributor cap		GH620	
					Distributor rotor		GH621	
	09.85 - 09.89	VG30ET	6	3.0	Distributor cap		GH620	
					Distributor rotor		GH621	

PEUGEOT

205

	10.86 - 10.87	DFZ <XU9J1 Kat.>	4	1.9	Distributor cap		GB882	
					Distributor rotor		GB939	
	10.87 - 09.98	D6B <XU9JA>	4	1.9	Distributor cap	10.87 - 06.94	GB918	
					Distributor rotor	10.87 - 06.94	GB939	

205 GTi

	10.87 - 03.91	DFZ <XU9J1 Kat.>	4	1.9	Distributor cap	10.87 - 02.89	GB882		
					Distributor rotor	02.89 - 03.91	GB882	BO	
						Distributor cap	10.87 - 02.89	GB939	
						Distributor rotor	02.89 - 03.91	GB939	BO

404

	11.62 - 05.70	<XC6 / XC7>	4	1.6	Distributor cap	11.65 - 05.70	GD702	DUC
					Distributor rotor	11.65 - 05.70	GD740	DUC
					Contact set	11.65 - 05.70	GD733	DUC
					Condensor	11.65 - 05.70	GD798	DUC

405

15	07.88 - 12.92	DFZ <XU9J1 Kat.>	4	1.9	Distributor cap		GB882	BES,DUC
					Distributor rotor		GB939	BES,DUC
	02.89 - 11.91	DKZ,DFY <XU9JAZ Kat.>	4	1.9	Distributor rotor		GD704	BES,DUC
					Distributor rotor		GD704	DUC
					Distributor rotor		GD704	DUC
					Distributor rotor		GD704	DUC

504

	06.70 - 05.71	<XM1>	4	1.8	Distributor cap		GD702	DUC
--	---------------	-------	---	-----	-----------------	--	--------------	-----



06.70 - 05.71	<XM1>	4	1.8	Distributor rotor		GD740	DUC
				Contact set		GD733	DUC
				Condensor		GD798	DUC
06.71 - 06.76	<XN1>	4	2.0	Distributor cap		GD702	DUC
				Distributor rotor	06.71 - 12.73	GD740	DUC
					01.74 - 06.76	GD799	DUC
				Contact set		GD733	DUC
				Condensor		GD798	DUC
	<XN2 Kugelfischer-Inj>	4	2.0	Distributor cap		GD702	DUC
				Distributor rotor		GD740	DUC
				Contact set		GD733	DUC
				Condensor		GD798	DUC
07.76 - 06.83	XN1 / 75 <XNA>	4	2.0	Distributor cap		GD702	DUC
				Distributor rotor		GD799	DUC
				Contact set		GD733	DUC
				Condensor		GD798	DUC

505

09.80 - 12.85	<XNA2>	4	2.0	Distributor cap		GD705	
				Distributor rotor		GD740	
				Contact set		GD715	
				Condensor		GD734	
02.85 - 12.85	851B,851Y <ZDJL>	4	2.2	Distributor cap		GB739	
				Distributor rotor		GB939	
02.86 - 06.87	<XN6 Kat.>	4	2.0	Distributor rotor		GD704	
03.86 - 12.93	851X <ZDJL Kat.>	4	2.2	Distributor cap		GB739	
				Distributor rotor		GB939	

604

03.78 - 12.82	140 <ZMJ K-Jetronic>	6	2.7	Distributor cap	07.79 - 12.82	GB797	
				Distributor rotor	07.79 - 12.82	GB869	

605

Y30	07.93 - 05.99	UFZ <ZPJ KAT.>	6	3.0	Distributor cap	GB938	
				Distributor rotor	GB884		

PONTIAC

Laurentian

06.60 - 12.63		8	4.6	Distributor rotor		GD659	
				Contact set		GD143V	
				Condensor		GD10	

Parisienne

07.61 - 04.67		8	4.6	Distributor rotor		GD659	
				Contact set		GD143V	
				Condensor		GD10	

Parisienne Hardtop

07.65 - 04.70		8	5.4	Distributor cap		GD607	
				Distributor rotor		GD659	
				Contact set		GD143V	
				Condensor		GD10	

PORSCHE

356

B	01.60 - 08.63	616.1	4	1.6	Distributor cap	GB72	
				Distributor rotor	GB603		
				Contact set	GB6		
				Condensor	GB505		





◀ PORSCHE

C	09.63 - 12.65	616.15	4	1.6	Distributor cap	GB72
					Distributor rotor	GB603
					Contact set	GB6
					Condensor	GB505

911 (incl. Carrera, SC)

	09.64 - 08.67	901.01/05	6	2.0	Distributor cap	GB74	WW		
					Distributor rotor	GB608			
					Contact set	GB751			
					Condensor	GB505			
	09.73 - 08.74	911.92/97	6	2.7	Distributor cap	GB876			
					Distributor rotor	GB726			
	09.73 - 08.75	911.83	6	2.7	Distributor cap	GB876			
					Distributor rotor	GB876			
					Contact set	GB737			
					Contact set	GB737			
	09.74 - 08.75	911.41/46	6	2.7	Distributor cap	GB876			
					Distributor rotor	GB726			
		911.42/47	6	2.7	Distributor cap	GB876			
					Distributor rotor	GB726			
	09.75 - 06.77	911.81/86	6	2.7	Distributor cap	GB876			
					Distributor rotor	GB726			
					930...	6	3.0	Distributor cap	GB876
								Distributor rotor	GB876
					Distributor rotor	GB875			
					Contact set	GB875			
					Contact set	GB770			
	07.77 - 06.79	930.03/13	6	3.0	Distributor cap	GB731			
					Distributor rotor	GB984			
					Distributor rotor	GB984			
					Contact set	GB984			
	07.80 - 07.83	930.10	6	3.0	Distributor cap	GB731			
					Distributor rotor	GB984			
	09.83 - 07.86	930.21	6	3.2	Distributor cap	GB923			
					Distributor rotor	GB905			
					Eng. →63E 00700	6	3.2	Distributor cap	GB923
					Eng. 63E 00701→			Distributor rotor	GB905
					Distributor rotor	GB951			

911 Carrera

964	09.89 - 08.93	M64.01/.02	6	3.6	Distributor cap	GB950
					Distributor rotor	GB951
993	09.93 - 08.95	M64.05 / M64.06	6	3.6	Distributor cap	GB950
					Distributor rotor	GB951
	09.94 - 08.97	M64.20	6	3.8	Distributor cap	GB950
					Distributor rotor	GB951
	09.95 - 08.97	M64.21 / M64.22	6	3.6	Distributor cap	GB950
					Distributor rotor	GB951

911 Carrera 4

964	09.89 - 08.93	M64.01	6	3.6	Distributor cap	GB950
					Distributor rotor	GB951
993	09.94 - 08.95	M64.05	6	3.6	Distributor cap	GB950
					Distributor rotor	GB951
	09.95 - 08.97	M64.21	6	3.6	Distributor cap	GB950
					Distributor rotor	GB951

911 Turbo

930	09.75 - 08.77	930...	6	3.0	Distributor cap	GB731	BO
					Distributor rotor	GB949	BO
	10.77 - 07.82	930.60	6	3.3	Distributor cap	GB731	
					Distributor rotor	GB949	

						Product			
			Type	Cyl.	M/oom		Fitment Date	Search Part Number	Special Cases
964	12.90 - 08.92	M30.69	6	3.3	Distributor cap			GB923	
					Distributor rotor			GB951	
	02.93 - 08.93	M64.50	6	3.6	Distributor cap			GB923	
					Distributor rotor			GB951	
993	03.95 - 08.97	M64.60	6	3.6	Distributor cap			GB923	
					Distributor rotor			GB951	
911E									
	09.69 - 08.71	911.01/04	6	2.2	Distributor cap			GB75	
								GB876	
					Distributor rotor			GB608	
					Contact set			GB774	
911L									
	09.67 - 08.68	901.06/07	6	2.0	Distributor cap			GB74	BO
								GB876	BO
					Distributor rotor			GB608	BO
					Contact set			GB751	BO
					Condensor			GB505	BO
911S									
	09.66 - 08.68	901.02/08	6	2.0	Distributor cap			GB74	
								GB876	
					Distributor rotor			GB737	
					Contact set			GB774	
	09.68 - 08.69	901.10	6	2.0	Distributor cap			GB75	
								GB876	
					Distributor rotor			GB737	
					Contact set			GB774	
	09.69 - 08.71	911.02	6	2.2	Distributor cap			GB75	
								GB876	
					Distributor rotor			GB608	
					Contact set			GB774	
	09.73 - 08.74	911.93/98	6	2.7	Distributor cap			GB876	
					Distributor rotor			GB726	
911T									
	09.69 - 08.71	911...	6	2.2	Distributor cap	04.70 - 08.71		GB75	
								GB876	
					Distributor rotor	04.70 - 08.71		GB726	
					Contact set	04.70 - 08.71		GB782	
	09.71 - 08.73	911.57/67	6	2.3	Distributor cap			GB876	
					Distributor rotor			GB726	
924									
	05.77 - 03.82	047.8/9	4	2.0	Distributor cap	05.77 - 07.79		GB739	
								GB782	
					Contact set	05.77 - 07.79		GB534	
					Condensor	05.77 - 07.79		GB812	
924 Turbo									
	01.81 - 06.82	M31.04	4	2.0	Distributor cap			GB739	
					Distributor rotor			GB842	
928									
	05.77-07.82	M28.01/.02/.09/.10	8	4.5	Distributor cap			GB845	
					Distributor rotor			GB846	





◀ PORSCHE

928S

09.82 - 07.83	M28.11, .12	8	4.7	Distributor cap	GB845	
				Distributor rotor	GB847	
08.83 - 07.86	M28.21, .22	8	4.7	Distributor cap	GB853	ZE
				Distributor rotor	GB854	
08.85 - 07.86	M28...	8	4.7	Distributor cap	GB907	ZE
				Distributor rotor	GB909	
08.86 - 07.91	M28.41, .42	8	5.0	Distributor cap	GB907	ZE
				Distributor rotor	GB909	
08.91 - 11.95	M28.49/ .50	8	5.4	Distributor cap	GB907	ZE
				Distributor rotor	GB909	

944

07.81 - 12.84	M44.01/ .03	4	2.5	Distributor cap	GB853	
				Distributor rotor	GB854	
01.85 - 07.87	M44.05/ .06	4	2.5	Distributor cap	GB853	
				Distributor rotor	GB854	
08.85 - 07.88	M44.51	4	2.5	Distributor cap	GB853	
				Distributor rotor	GB854	
09.87 - 07.91	M44.52	4	2.5	Distributor cap	GB853	
				Distributor rotor	GB854	
11.88 - 07.89	M44.11, .12	4	2.7	Distributor cap	GB853	
				Distributor rotor	GB854	
12.88 - 07.91	M44.41	4	3.0	Distributor cap	GB907	
				Distributor rotor	GB908	

968

08.91 - 11.95	M44.43/ .44	4	3.0	Distributor cap	GB907	
				Distributor rotor	GB908	

PROTON

Persona

C90 CC0	01.93 - 12.97	4G15 Euro I	4	1.5	Distributor cap	11.94 - 12.97	GM807
					Distributor rotor	11.94 - 12.97	GM576
C90 CC1	12.95 - 06.02	4G13 Euro II	4	1.3	Distributor cap		GM585
					Distributor rotor		GM844
		4G15 <Euro II>	4	1.5	Distributor cap		GM585
					Distributor rotor		GM844
4G92 Euro II <SOHC>	4	1.6	Distributor cap		GM827		
			Distributor rotor		GH805		

Satria

C90	03.96 - 06.02	4G13	4	1.3	Distributor cap	GM845	APM
					Distributor rotor	GM846	APM
		4G92	4	1.6	Distributor cap	GM585	
			Distributor rotor	GM844			

Wira

	05.95 - 11.96	4G15	4	1.5	Distributor cap	GM845	APM	
					Distributor rotor	GM846	APM	
C90	05.95 - 11.96	4G15	4	1.5	Distributor cap	GM845	APM	
					Distributor rotor	GM846	APM	
	05.95 - 12.96	4G92	4	1.6	Distributor cap	05.95 - 08.95	GM585	APM
					Distributor rotor	09.95 - 12.96	GM827	APM
					05.95 - 08.95	GM844		
					09.95 - 12.96	GH805	APM	



RAMBLER (AMC)

Hornet

07.70 - 12.71		6	3.8	Distributor cap	GD665	
				Distributor rotor	GD659	
				Contact set	GD501	
				Condensor	GD11E	
01.72 - 12.76		6	4.2	Distributor cap	GD665	
				Distributor rotor	GD659	
				Contact set	GD501	
				Condensor	GD11E	

Javelin

09.68 - 12.70		8	5.6	Distributor cap	GD607	
				Distributor rotor	GD659	
				Contact set	GD143V	
				Condensor	GD10	
01.71 - 12.71		8	6.4	Distributor cap	GD607	
				Distributor rotor	GD659	
				Contact set	GD143V	
				Condensor	GD11E	
01.72 - 12.73 <Z>		8	6.6	Distributor cap	GD607	
				Distributor rotor	GD659	
				Contact set	GD143V	
				Condensor	GD11E	

Matador

11.71 - 12.78 <N>		8	5.9	Distributor cap	GD607	
				Distributor rotor	GD659	
				Contact set	GD143V	
				Condensor	GD10	
					GD11E	Optional

Rebel

07.67 - 12.69 <N>		8	4.7	Distributor cap	GD607	
				Distributor rotor	GD659	
				Contact set	GD143V	
				Condensor	GD10	
01.70 - 12.71 <N>		8	5.6	Distributor cap	GD607	
				Distributor rotor	GD659	
				Contact set	GD143V	
				Condensor	GD11E	

RENAULT

Fuego

10.82 - 10.85	829 710	4	2.0	Distributor cap	GD703	DUC
				Distributor rotor	GD738	DUC

R 12

04.71 - 12.89	C1J 791	4	1.4	Distributor cap	GD702	
				Distributor rotor	GD740	
				Contact set	GD733	
				Condensor	GD798	

R 15

10.71 - 02.76	807	4	1.6	Distributor cap	GD702	DUC
				Distributor rotor	GD740	DUC
				Contact set	GD733	DUC
				Condensor	GD798	DUC





◀ RENAULT

R 16									
	01.68 - 07.76	807		4	1.6	Distributor cap		GD702	DUC
						Distributor rotor		GD740	DUC
						Contact set		GD733	DUC
						Condensor		GD798	DUC
R 17									
	10.71 - 02.76	807		4	1.6	Distributor cap		GD702	DUC
						Distributor rotor		GD740	DUC
						Contact set		GD733	DUC
						Condensor		GD798	DUC
R 20									
	10.77 - 12.83	829		4	2.0	Distributor cap		GD703	DUC
						Distributor rotor		GD738	DUC
						Contact set		GD796	DUC
						Condensor		GD732	DUC
R 21									
L48	07.86 - 12.94	J7T 754,755 Kat.		4	2.2	Distributor rotor	07.86 - 07.90	GD704	
	10.86 - 03.93	J7R 750,751		4	2.0	Distributor rotor	10.86 - 07.90	GD704	
R 25									
	01.84 - 10.86	J7T 706,707		4	2.2	Distributor cap		GD717	DUC
						Distributor rotor		GD704	DUC
	10.85 - 10.86	J7T 708		4	2.2	Distributor cap		GD717	DUC
						Distributor rotor		GD704	DUC
	10.86 - 12.92	J7T 732,733 Kat.		4	2.2	Distributor cap		GD717	DUC
						Distributor rotor		GD704	DUC
	05.88 - 12.92	Z7W 701		6	2.9	Distributor cap		GB930	
						Distributor rotor		GB884	

ROLLS-ROYCE

Silver Spirit									
	01.89 - 03.93	OHV V8		8	6.8	Distributor cap		GB853	
						Distributor rotor		GB854	
Silver Spur									
	07.89 - 03.93	OHV V8 <Kat.>		8	6.8	Distributor cap		GB853	
						Distributor rotor		GB854	

ROVER

Quintet									
	05.83 - 03.86	EL18		4	1.6	Distributor cap		GH635	
						Distributor rotor		GH631	
3.5 Litre									
P5B	09.68 - 12.71	V8		8	3.5	Distributor cap		GL665	
						Distributor rotor		GL854	
						Contact set		GL63	
						Condensor		GL103	
416									
	05.86 - 05.90	D16A3		4	1.6	Distributor cap		GH628	
						Distributor rotor		GH631	
825									
	10.86 - 10.88	C25A V6 <KAT.>		6	2.5	Distributor cap		GH653	

					Product			
		Type	Cyl.	Room		Formed Date	Bosch Part Number	Special Cases

	10.86 - 10.88	C25AV6 <KAT.>	6	2.5	Distributor rotor		GH632	
827								
	02.88 - 10.91	C27AV6	6	2.7	Distributor cap		GH639	
					Distributor rotor		GH640	
2000-3500								
P6	01.65 - 12.72		4	2.0	Distributor cap	01.65 - 08.67	GL276	
						09.67 - 12.72	GL270	
					Distributor rotor		GL229	
					Contact set		GL19	
					Condensor		GL103	
3500								
P6B	04.68 - 05.76		8	3.5	Distributor cap		GL665	
					Distributor rotor		GL854	
					Contact set	04.68 - 12.72	GL63	
						01.73 - 05.76	GL494	
					Condensor		GL103	
SD1	12.78 - 10.82	V8	8	3.5	Distributor cap		GL665	
					Distributor rotor		GL195	
	10.82 - 10.86	V8	8	3.5	Distributor cap		GL665	
					Distributor rotor		GL195	

SAAB (SAAB AUTOMOBILE AB)

9-3								
9400	03.98 - 08.00	B204I	4	2.0	Distributor cap		GB882	
					Distributor rotor		GB912	
		B204L	4	2.0	Distributor cap		GB882	
					Distributor rotor		GB912	
		B234I	4	2.3	Distributor cap		GB882	
					Distributor rotor		GB912	
	09.98 - 08.00	B204E	4	2.0	Distributor cap		GB882	
					Distributor rotor		GB912	
	09.99 - 08.00	B235R	4	2.3	Distributor cap		GB882	
					Distributor rotor		GB912	
	09.99 - 08.02	B205E <(Ecopower)>	4	2.0	Distributor cap	09.99 - 08.00	GB882	
					Distributor rotor	09.99 - 08.00	GB912	
		B205L	4	2.0	Distributor cap	09.99 - 08.00	GB882	
					Distributor rotor	09.99 - 08.00	GB912	
		B205R <Ecopower DOHC>	4	2.0	Distributor cap	09.99 - 08.00	GB882	
					Distributor rotor	09.99 - 08.00	GB912	
99								
	06.72 - 08.74	B 20	4	2.0	Distributor cap	08.73 - 05.74	GB739	
					Distributor rotor	08.73 - 05.74	GB782	
					Contact set	08.73 - 05.74	GB700	
					Condensor	08.73 - 05.74	GB766	
	09.74 - 12.75	BE 20	4	2.0	Distributor cap		GB739	
					Distributor rotor		GB782	
					Contact set		GB700	
					Condensor		GB766	
	09.75 - 08.81	B 20	4	2.0	Distributor cap	09.75 - 08.80	GB739	
						09.80 - 08.81	GB739	
					Distributor rotor	09.75 - 08.80	GB782	
						09.80 - 08.81	GB795	
					Contact set	09.75 - 08.80	GB700	
						09.80 - 08.81	GB700	
					Condensor	09.75 - 08.80	GB766	
						09.80 - 08.81	GB813	



◀ SAAB

01.76 - 08.81	Bl 20	4	2.0	Distributor cap	01.76 - 08.80	GB739
					09.80 - 08.81	GB739
				Distributor rotor	01.76 - 08.80	GB782
					09.80 - 08.81	GB795
				Contact set	01.76 - 08.80	GB700
					09.80 - 08.81	GB700
				Condensor	01.76 - 08.80	GB766
					09.80 - 08.81	GB813

900

09.78 - 08.83	Bl 20	4	2.0	Distributor cap	09.78 - 08.80	GB739
					09.80 - 08.83	GB739
				Distributor rotor	09.78 - 08.80	GB782
					09.80 - 08.83	GB795
				Contact set	09.78 - 08.80	GB700
					09.80 - 08.83	GB700
				Condensor	09.78 - 08.80	GB766
					09.80 - 08.83	GB813
09.79 - 08.83	B 20	4	2.0	Distributor cap	09.79 - 08.80	GB739
					09.80 - 08.83	GB739
				Distributor rotor	09.79 - 08.80	GB782
					09.80 - 08.83	GB795
				Contact set	09.79 - 08.80	GB700
					09.80 - 08.83	GB700
				Condensor	09.79 - 08.80	GB766
					09.80 - 08.83	GB813
09.83 - 08.90	B 201 Kat. Eng. J027457→J065780	4	2.0	Distributor cap	09.87 - 08.90	GB739
	Eng. J073752→	4	2.0	Distributor rotor	09.87 - 08.90	GB838
09.85 - 08.91	B 201 Kat. Eng. J027457→J065780	4	2.0	Distributor cap	09.87 - 08.91	GB739
	Eng. J073752→	4	2.0	Distributor rotor	09.87 - 08.91	GB838
09.85 - 08.92	B 202 Kat.	4	2.0	Distributor cap	09.85 - 07.88	GB739
				Distributor rotor	08.87 - 07.88	GB929
09.90 - 08.93	B 212 Kat.	4	2.1	Distributor cap		GB739
09.93 - 08.98	B 206 Kat.	4	2.0	Distributor cap		GB882
03.94 - 08.98	B 206 Kat.	4	2.0	Distributor rotor		GB912
09.94 - 08.98	B 204 Kat.	4	2.0	Distributor cap		GB882
				Distributor rotor		GB912

900 Turbo

09.78 - 08.83	B 201 S	4	2.0	Distributor cap	09.80 - 08.83	GB739
					09.81 - 08.82	GB799
				Distributor rotor	09.80 - 08.81	GB795
					09.81 - 08.82	GB838
					09.81 - 08.83	GB838
08.84 - 08.93	B 202 L Kat.	4	2.0	Distributor cap	08.84 - 04.85	GB739
				Distributor rotor	05.85 - 07.91	GB739
					08.84 - 04.85	GB994
					05.85 - 07.91	GB929

900 Turbo Cabriolet

09.90 - 08.93	B 202 L Kat.	4	2.0	Distributor cap	09.90 - 07.91	GB739
				Distributor rotor	09.90 - 07.91	GB929



9000							
09.85 - 08.88	B 202 L <Turbo- Katalysator>	4	2.0	Distributor cap	09.85 - 08.88	GB739	
				Distributor rotor	09.86 - 08.88	GB739	
08.86 - 08.93	B 202 I <Kat>	4	2.0	Distributor cap	09.85 - 08.86	GB929	
				Distributor rotor	09.86 - 08.88	GB929	
09.89 - 08.93	B 202 I <Kat>	4	2.0	Distributor cap	08.86 - 08.88	GB739	
				Distributor rotor	09.88 - 08.93	GB739	
09.89 - 08.93	B 234 I <Kat>	4	2.3	Distributor cap	09.88 - 08.93	GB929	
				Distributor rotor	09.88 - 08.93	GB929	
01.90 - 08.93	B 202 L <Turbo- Katalysator>	4	2.0	Distributor cap	01.90 - 08.90	GB739	
				Distributor rotor	01.90 - 08.90	GB929	
09.92 - 12.98	B 202 S <Turbo- Katalysator>	4	2.0	Distributor cap	09.92 - 08.93	GB739	
				Distributor rotor	09.92 - 08.93	GB929	

SEAT

Cordoba							
09.93 - 04.96	2E	4	2.0	Distributor cap	GB940		
				Distributor rotor	GB899		
07.94 - 12.02	ADZ	4	1.8	Distributor cap	GB940		
				Distributor rotor	GB899		
12.95 - 11.02	AFT	4	1.6	Distributor cap	GB940		
				Distributor rotor	GB899		
03.97 - 12.98	AEE	4	1.6	Distributor cap	GB997		
				Distributor rotor	GB899		
Ibiza							
03.93 - 04.96	2E	4	2.0	Distributor cap	GB940		
				Distributor rotor	GB899		
09.93 - 12.95	ABD	4	1.4	Distributor cap	GB940		
				Distributor rotor	GB899		
09.93 - 12.95	Eng. →414 198	4	1.4	Distributor cap	GB940		
				Distributor rotor	GB899		
09.93 - 12.95	Eng. 414 199→	4	1.4	Distributor cap	GB997		
				Distributor rotor	GB899		
12.95 - 12.97	AEX	4	1.4	Distributor cap	GB997		
				Distributor rotor	GB899		
06.96 - 10.99	ABF	4	2.0	Distributor cap	GB998		
				Distributor rotor	GB899		

Toledo							
05.91 - 06.96	2E	4	2.0	Distributor cap	GB940		
				Distributor rotor	GB899		
03.94 - 03.99	ABF	4	2.0	Distributor cap	GB998		
				Distributor rotor	GB899		
03.96 - 03.99	AGG	4	2.0	Distributor cap	GB940	Ascertain in vehicle	
				Distributor rotor	GB899	Ascertain in vehicle	

SUBARU

L Series							
10.75 - 08.80	EA71	4	1.6	Distributor cap	10.75 - 04.79	GH506	HIT
				Distributor rotor	05.79 - 08.80	GH609	HIT
10.75 - 08.80	EA71	4	1.6	Distributor cap		GH600	HIT
				Distributor rotor	10.75 - 04.79	GD527	ND
10.75 - 08.80	EA71	4	1.6	Contact set		GD214	MIT
				Contact set		GH203	HIT
10.75 - 08.80	EA71	4	1.6	Contact set	10.75 - 04.79	GD214	ND



◀ SUBARU

Year Range	Model	Cyl	Volume	Product	Part Number	Notes	
10.75 - 08.80	EA71	4	1.6	Condensor	GD206	MIT	
					GH208	HIT	
					10.75 - 04.79	GD205	ND
					04.77 - 04.79	GH506	HIT
04.77 - 08.80	EA63	4	1.4	Distributor cap	05.79 - 08.80	GH609	HIT
					GH600	HIT	
				Distributor rotor	04.77 - 04.79	GD527	ND
					GH203	HIT	
				Contact set	04.77 - 04.79	GD214	ND
					GH208	HIT	
Condensor	04.77 - 04.79	GD209	ND				
	GH609	HIT					
05.79 - 08.80	EA81	4	1.8	Distributor cap	GH609	HIT	
					GH600	HIT	
					GH203	HIT	
					GH208	HIT	

SUZUKI

Alto

Model	Year Range	Model	Cyl	Volume	Product	Part Number	Notes	
SS	06.82 - 12.85	F5A	3	0.6	Distributor cap	GD681		
						Distributor rotor	GD527	
						Contact set	GD207	
						Condensor	GD209	
EC	01.86 - 12.89	F8B	3	0.8	Distributor cap	GD681		
						Distributor rotor	GD527	
						Contact set	GD207	
						Condensor	GD209	
EF	10.94 - 02.02	G10B	4	1.0	Distributor cap	GD936		
						Distributor rotor	GD814	EFI
						GD829		
						GD696	EFI	

Carry

Model	Year Range	Model	Cyl	Volume	Product	Part Number	Notes	
ST	11.80 - 10.85	F8A	4	0.8	Distributor cap	GD679		
						Distributor rotor	GD527	
						Contact set	GD207	
						Condensor	GD209	

LJ80

Year Range	Model	Cyl	Volume	Product	Part Number	Notes	
10.77 - 10.82	F8B	4	0.8	Distributor cap	GD810		
					Distributor rotor	GD527	
					Contact set	GD207	
					Condensor	GD209	

Sierra

Year Range	Model	Cyl	Volume	Product	Part Number	Notes
01.85 - 12.88	F10A	4	1.0	Distributor cap	GD679	
				Distributor rotor	GD527	

Swift

Model	Year Range	Model	Cyl	Volume	Product	Year Range	Part Number	Notes
SA	10.84 - 03.89	G13A	4	1.3	Distributor cap	10.84 - 04.88	GD695	
						Distributor rotor	10.84 - 04.88	GD696
	01.85 - 12.88	G10	3	1.0	Distributor cap		GD681	
						Distributor rotor		GD527
SF	09.91 - 04.95	G13B	4	1.3	Distributor rotor		GD696	
						09.91 - 09.95	G16B	4
Distributor rotor		GM562						

Swift GTi

Model	Year Range	Model	Cyl	Volume	Product	Part Number	Notes	
SA	08.86 - 03.89	G13B	4	1.3	Distributor cap	GD814		
						Distributor rotor	GD696	
SF	01.89 - 09.95	G13B	4	1.3	Distributor cap	03.89 - 09.95	GH800	
						Distributor rotor	03.89 - 09.95	GH652

Vitara

Model	Year Range	Model	Cyl	Volume	Product	Part Number	Notes
ET	03.88 - 11.94	G16A	4	1.6	Distributor cap	GD800	

						Product			
		Type	Cyl.	/Room			Formed Date	Bosch Part Number	Special Cases
ET	03.88 - 11.94	G16A	4	1.6	Distributor rotor			GD527	
	02.91 - 03.98	G16B	4	1.6	Distributor cap			GD814	
					Distributor rotor			GM829	
X90									
	09.95 - 05.98	G16B	4	1.6	Distributor cap			GM843	
					Distributor rotor			GH805	
TOYOTA									
Camry / Venta									
SV11	03.83 - 10.86	2SEL	4	2.0	Distributor cap			GD691	
					Distributor rotor			GD689	
SV20	01.87 - 06.89	1SE	4	1.8	Distributor cap			GD691	
					Distributor rotor			GD802	
SV21	01.87 - 11.92	3SFE	4	2.0	Distributor cap			GD828	
					Distributor rotor			GD804	
VZV21	06.88 - 02.93	2VZFE	6	2.5	Distributor cap			GD815	
					Distributor rotor			GD816	
SV22	07.89 - 06.91	3SFC	4	2.0	Distributor cap			GD840	
					Distributor rotor			GD804	
SDV10	02.93 - 03.94	5SFE	4	2.2	Distributor cap	02.93 - 09.93		GD905	
						10.93 - 03.94		GD902	
					Distributor rotor			GD804	
VDV10	02.93 - 03.94	3VZFE	6	3.0	Distributor cap			GD832	
					Distributor rotor			GD833	
SDV10	04.94 - 06.95	5SFE	4	2.2	Distributor cap			GD902	
					Distributor rotor			GD804	
VDV10	04.94 - 06.95	3VZFE	6	3.0	Distributor cap			GD832	
					Distributor rotor			GD833	
VCV10	07.95 - 06.97	3VZFE	6	3.0	Distributor cap			GD832	
					Distributor rotor			GD833	
SXV10	07.95 - 04.98	5SFE	4	2.2	Distributor cap			GD902	
					Distributor rotor			GD804	
Celica									
TA22	12.70 - 07.77	2TB	4	1.6	Distributor cap	01.71 - 07.77		GD366	
					Distributor rotor	01.71 - 07.77		GD527	
					Contact set	01.71 - 07.77		GD207	
					Condensor	01.71 - 07.77		GD209	
RA40	08.77 - 07.81	18RG	4	2.0	Distributor cap	08.77 - 08.79		GD366	
						09.79 - 07.81		GD679	
					Distributor rotor			GD527	
RA63	08.81 - 08.83	18RG	4	2.0	Distributor cap			GD679	ND
					Distributor rotor			GD527	ND
RA60	08.81 - 07.85	21R	4	2.0	Distributor cap			GD806	
					Distributor rotor			GD802	
SA63	08.83 - 08.84	2SC	4	2.0	Distributor cap			GD691	
					Distributor rotor			GD689	
								GD689	
RA65	08.83 - 08.85	22REC	4	2.4	Distributor cap			GD806	
					Distributor rotor			GD802	
ST162	08.85 - 08.89	3SGEL	4	2.0	Distributor cap			GD834	
					Distributor rotor			GD689	
ST185	08.86 - 08.89	3SFE	4	2.0	Distributor cap			GD828	
					Distributor rotor			GD804	
					Distributor cap	10.89 - 08.91		GD920	
						09.91 - 08.93		GD921	
					Distributor rotor			GD829	
ST184	10.89 - 09.94	5SFE	4	2.2	Distributor cap	10.89 - 11.89		GD929	
						12.89 - 08.91		GD842	
						09.91 - 09.94		GD902	
					Distributor rotor			GD829	



◀ TOYOTA

Part No.	Year	Type	Cyl.	/Room	Product	Filter Data	Bosch Part Number	Special Cases
ST184	10.89 - 09.97	5SFE	4	2.2	Distributor cap	10.89 - 11.89	GD929	
						12.89 - 08.91	GD842	
						09.91 - 09.97	GD902	
					Distributor rotor		GD829	
ST182	10.90 - 11.93	3SGE	4	2.0	Distributor cap	10.90 - 09.91	GD920	
						10.90 - 09.91	GD829	
ST204	11.93 - 08.99	5SFE	4	2.2	Distributor cap		GD902	
							GD804	
ST205	02.94 - 08.99	3SGTE	4	2.0	Distributor cap		GD921	
							GD829	
ST202	08.94 - 05.99	3SGE	4	2.0	Distributor cap		GD921	
							GD829	
Corolla								
	06.67 - 12.69	KB	4	1.1	Distributor cap		GD516	
							GD515	
							GD207	
							GD205	
KE11 / KE20 / KE30	01.70 - 10.78	3K	4	1.2	Distributor cap	08.70 - 10.78	GB708	BO
						01.70 - 11.74	GD516	ND
						12.74 - 10.78	GD366	ND
							GD515	ND
						08.70 - 10.78	GB73	BO
							GD207	ND
	08.70 - 10.78	GB534	BO					
		GD205	ND					
	08.70 - 10.72	GB709	BO					
	11.72 - 10.78	GB815	BO					
KE55	11.78 - 09.81	4K	4	1.3	Distributor cap		GB820	BO
							GD679	ND
							GB787	BO
							GD527	ND
							GB534	BO
							GD207	ND
		GB815	BO					
		GD205	ND					
KE70	03.80 - 03.85	4K	4	1.3	Distributor cap		GB820	BO
							GD679	
							GB787	BO
							GD527	
							GB534	BO
		GD207						
		GB815	BO					
		GD209						
AE71	09.82 - 12.85	4AC	4	1.6	Distributor cap		GD692	
							GD527	
							GD214	
							GD209	
AE82	05.83 - 08.87	4AC	4	1.6	Distributor cap		GB871	BO
							GB851	BO
	04.85 - 12.88	4AC	4	1.6	Distributor cap		GB871	
					Distributor rotor		GB851	
AE80	04.85 - 06.89	2AC	4	1.3	Distributor cap		GB871	BO
							GB851	BO
AE82	01.86 - 12.88	4AGE	4	1.6	Distributor cap		GD687	
							GD688	
AE90	02.89 - 05.92	6AF	4	1.4	Distributor cap	02.89 - 02.90	GD807	ND
						03.90 - 05.92	GB871	BO
						02.89 - 02.90	GD804	ND
						03.90 - 05.92	GB851	BO
AE92	02.89 - 09.92	4AF	4	1.6	Distributor cap		GD807	ND
						06.91 - 09.92	GB871	BO
							GD804	ND
	06.91 - 09.92	GB851	BO					



						Product	Formed Date	Bosch Part Number	Special Cases
AE92	02.89 - 06.94	4AF	4	1.6	Distributor cap			GD807	ND
							06.91 - 06.94	GB871	BO
AE92, 93	08.89 - 08.92	4AGE	4	1.6	Distributor rotor			GD804	ND
							06.91 - 06.94	GB851	BO
AE92	01.91 - 12.92	4AFC	4	1.6	Distributor cap			GD807	ND
							06.91 - 12.92	GB871	BO
AE94	07.91 - 06.94	4AFE	4	1.6	Distributor rotor			GD804	ND
							06.91 - 12.92	GB851	BO
AE96	10.92 - 06.94	7AFE	4	1.8	Distributor cap			GD837	
								GD804	
AE101	07.94 - 08.98	4AFE	4	1.6	Distributor rotor			GD839	
								GD804	
AE102	07.94 - 12.99	7AFE	4	1.8	Distributor cap			GD839	
								GD804	
AE112R	10.98 - 10.99	7AFE	4	1.8	Distributor rotor			GD839	
								GD804	
	10.99 - 09.01	7AFE	4	1.8	Distributor cap			GD839	
								GD804	
	10.99 - 10.01	7AFE	4	1.8	Distributor rotor			GD839	
								GD804	
Corolla 4WD									
AE95	02.88 - 07.95	4AFE	4	1.6	Distributor cap			GD917	
								GD804	
Corona									
RT40	09.64 - 01.70	2R	4	1.5	Distributor cap			GD516	
								GL278	LUC
								GD515	
								GL256	LUC
								GD202	
RT81	02.71 - 07.73	12R	4	1.6	Distributor rotor			GL19	LUC
								GD205	
								GL103	LUC
								GD516	
								GD515	
RT104	03.74 - 09.79	18R	4	2.0	Distributor cap			GD205	
								GD366	ND
								GB73	BO
								GD527	ND
								GB534	BO
RT118	04.74 - 09.79	18R	4	2.0	Contact set			GD205	ND
								GD207	ND
								GD205	ND
								GB753	BO
								GB815	BO
RT132	10.79 - 01.82	18R	4	2.0	Condensator			GD207	ND
								GD366	ND
								GB73	BO
								GD527	ND
								GB534	BO
	09.74 - 08.78	18R	4	2.0	Distributor cap			GD205	ND
								GD207	ND
								GD366	ND
								GB753	BO
								GD209	
	09.75 - 08.78	18R	4	2.0	Distributor rotor			GD366	ND
								GB73	BO
								GD527	ND
								GB534	BO
								GD205	ND
	09.75 - 08.78	18R	4	2.0	Contact set			GD205	ND
								GD207	ND
								GD366	ND
								GB753	BO
								GD209	
	09.75 - 08.78	18R	4	2.0	Condensator			GD366	ND
								GB73	BO
								GD527	ND
								GB534	BO
								GD205	ND



◀ TOYOTA

XT130	10.79 - 07.83	1XN (Starfire)	4	1.9	Distributor cap	GB820
					Distributor rotor	GB787
					Contact set	GB534
					Condensor	GB815
RT133	02.82 - 07.83	21R	4	2.0	Distributor cap	GD806
					Distributor rotor	GD688
ST141	06.83 - 04.87	2SC	4	2.0	Distributor cap	GD691
					Distributor rotor	06.83 - 10.85 GD689
						11.85 - 04.87 GD804
RT142	08.84 - 12.86	22REC	4	2.4	Distributor cap	10.84 - 12.86 GD806
					Distributor rotor	10.84 - 11.85 GD802
						12.85 - 12.86 GD689

Cressida

MX32	04.77 - 12.80	4M	6	2.6	Distributor cap	GD514
					Distributor rotor	GD507
					Contact set	GD207
					Condensor	GD205
MX36	09.78 - 12.80	4M	6	2.6	Distributor cap	GD514
					Distributor rotor	GD507
					Contact set	GD207
					Condensor	GD205
MX62	02.81 - 09.84	5ME	6	2.8	Distributor cap	02.81 - 08.83 GD677
						08.83 - 09.84 GD911
					Distributor rotor	02.81 - 08.83 GD809
						08.83 - 09.84 GD683
MX73	10.84 - 10.85	5ME	6	2.8	Distributor cap	GD677
					Distributor rotor	GD809
	11.85 - 08.88	5MGE	6	2.8	Distributor cap	GD912
					Distributor rotor	GD686
MX83	09.88 - 08.92	7MGE	6	3.0	Distributor cap	GD819
					Distributor rotor	GD910

Crown

MS63	02.71 - 09.74	4M	6	2.6	Distributor cap	GD514	ND
					Distributor rotor	GD507	ND
						GL256	LUC
					Contact set	GD207	ND
						GL19	LUC
MS65	11.71 - 09.74	4M	6	2.6	Distributor cap	GD514	ND
					Distributor rotor	GD507	ND
						GL256	LUC
					Contact set	GD207	ND
						GL19	LUC
MS85	10.74 - 08.79	4M	6	2.6	Distributor cap	GD514	ND
					Distributor rotor	GD507	ND
					Contact set	GD207	ND
					Condensor	GD185	ND
						GD185	ND
MS83	01.75 - 08.79	4M	6	2.6	Distributor cap	GD514	ND
					Distributor rotor	GD507	ND
					Contact set	GD207	ND
					Condensor	GD185	ND
MS111	09.79 - 08.80	4M	6	2.6	Distributor cap	GD677	
					Distributor rotor	GD809	
MS112	09.79 - 07.83	5ME	6	2.8	Distributor cap	GD677	
					Distributor rotor	GD809	
	08.80 - 07.83	5ME	6	2.8	Distributor cap	GD677	
					Distributor rotor	GD809	
MS123	08.83 - 09.85	5ME	6	2.8	Distributor cap	GD677	
					Distributor rotor	GD683	
	09.85 - 08.87	5MGE	6	2.8	Distributor cap	GD912	



					Product		
MS123	09.85 - 08.87	5MGE	6	2.8	Distributor rotor		GD686
Royal	01.86 - 08.87	5MGE	6	2.8	Distributor cap		GD912
					Distributor rotor		GD686
Dyna							
YU60	09.84 - 08.86	3Y	4	2.0	Distributor cap		GD679
					Distributor rotor		GD527
					Contact set		GD207
					Condensor		GD209
YU70	09.84 - 08.86	3Y	4	2.0	Distributor cap		GD679
					Distributor rotor		GD527
					Contact set		GD207
					Condensor		GD209
YU80	09.84 - 08.86	3Y	4	2.0	Distributor cap		GD679
					Distributor rotor		GD527
					Contact set		GD207
					Condensor		GD209
YH81	08.85 - 08.87	2Y	4	1.8	Distributor cap		GD679
					Distributor rotor		GD527
					Contact set		GD207
					Condensor		GD209
YU62	08.86 - 08.87	4Y	4	2.2	Distributor cap		GD679
					Distributor rotor		GD527
					Contact set		GD207
					Condensor		GD209
YU71	08.86 - 08.87	4Y	4	2.2	Distributor cap		GD679
					Distributor rotor		GD527
					Contact set		GD207
					Condensor		GD209
YU81	08.86 - 08.87	4Y	4	2.2	Distributor cap		GD679
					Distributor rotor		GD527
					Contact set		GD207
					Condensor		GD209
YH81	08.87 - 03.92	2Y	4	1.8	Distributor cap	08.87 - 09.91	GD679
						10.91 - 03.92	GD813
					Distributor rotor	08.87 - 08.91	GD527
						10.91 - 03.92	GD802
					Contact set		GD207
					Condensor	08.87 - 09.91	GD209
YU62	08.88 - 05.95	4Y	4	2.2	Distributor cap	08.88 - 09.91	GD679
						09.91 - 05.95	GD813
					Distributor rotor	08.88 - 09.91	GD527
						09.91 - 05.95	GD802
					Contact set		GD207
					Condensor	08.88 - 09.91	GD209
Hiace							
	07.68 - 01.71	2R	4	1.5	Distributor cap		GD516
					Distributor rotor		GD515
					Contact set		GD202
					Condensor		GD205
	02.71 - 12.83	12R	4	1.6	Distributor cap		GD516
					Distributor rotor		GD515
					Contact set		GD202
					Condensor		GD205
RH11/20/30/40	09.72 - 10.82	12R	4	1.6	Distributor cap		GD516
					Distributor rotor		GD515
					Contact set		GD202
					Condensor		GD205
RH22/32	02.77 - 11.82	18R	4	2.0	Distributor cap		GD366
					Distributor rotor		GD527
					Contact set		GD207
					Condensor		GD206
RH11/20	02.77 - 12.82	12R	4	1.6	Distributor cap		GD516





◀ TOYOTA

Part No.	Year Range	Type	Cyl.	Room	Product	Fitment Data	Bosch Part Number	Special Cases
RH11/20	02.77 - 12.82	12R	4	1.6	Distributor rotor		GD515	
					Contact set		GD202	
					Condensor		GD205	
RH11	11.82 - 07.85	12R	4	1.6	Distributor cap		GD679	
					Distributor rotor		GD527	
					Contact set		GD202	
YH50	12.82 - 01.84	2YC	4	1.8	Distributor cap		GD679	
					Distributor rotor		GD527	
					Contact set		GD207	
YH61	12.82 - 08.86	3Y	4	2.0	Distributor cap		GD800	
					Distributor rotor		GD527	
					Contact set		GD207	
YH53	08.86 - 08.87	4Y	4	2.2	Distributor cap		GD679	
					Distributor rotor		GD527	
					Contact set		GD207	
YH73	08.86 - 08.87	4Y	4	2.2	Distributor cap		GD800	
					Distributor rotor		GD527	
					Contact set		GD207	
YH51	08.87 - 08.89	3Y	4	2.0	Distributor cap		GD800	
					Distributor rotor		GD527	
RZH103	08.89 - 08.98	2RZ	4	2.4	Distributor cap	08.89 - 04.92	GD840	
						05.92 - 08.98	GD906	
					Distributor rotor		GD804	
RZH113	08.89 - 02.05	2RZE	4	2.4	Distributor cap	08.89 - 05.92	GD840	
						06.92 - 02.05	GD906	
					Distributor rotor	08.89 - 05.92	GD804	
RZH103	08.93 - 02.05	2RZE	4	2.4	Distributor cap		GD906	
					Distributor rotor		GD907	
RCH12R/S.B.V	08.95 - 12.03	2RZE	4	2.4	Distributor cap		GD906	
					Distributor rotor		GD907	
RCH22	03.97 - 12.03	2RZE	4	2.4	Distributor cap		GD906	
					Distributor rotor		GD907	

Hiace Commuter

RZH125B	08.98 - 07.03	2RZE	4	2.4	Distributor cap		GD906	
					Distributor rotor		GD907	

Hilux

RN10	03.68 - 01.71	2R	4	1.5	Distributor cap		GD516	
					Distributor rotor		GD515	
					Contact set		GD202	
					Condensor		GD205	
RN13	02.71 - 04.72	12R	4	1.6	Distributor cap		GD516	
					Distributor rotor		GD515	
					Contact set		GD202	
					Condensor		GD205	
RN16	02.71 - 04.72	12R	4	1.6	Distributor cap		GD516	
					Distributor rotor		GD515	
					Contact set		GD202	
					Condensor		GD205	
RN20LKR	05.72 - 07.78	12R	4	1.6	Distributor cap		GD516	
					Distributor rotor		GD515	
					Contact set		GD202	
					Condensor		GD205	
RN25LKR	05.72 - 07.78	12R	4	1.6	Distributor cap		GD516	
					Distributor rotor		GD515	
					Contact set		GD202	
					Condensor		GD205	

						Product	Fitment Date	Bosch Part Number	Special Cases	
RN30	08.78 - 07.83	12R	4	1.6	Distributor cap	08.78 - 01.80	GD516			
						02.80 - 07.83	GD679			
						Distributor rotor	08.78 - 01.80	GD515		
							02.80 - 07.83	GD527		
						Contact set		GD207		
Condensor		GD206								
RN40	08.78 - 07.83	12R	4	1.6	Distributor cap	08.78 - 01.80	GD516			
						02.80 - 07.83	GD679			
						Distributor rotor	08.78 - 01.80	GD515		
							02.80 - 07.83	GD527		
						Contact set		GD207		
Condensor		GD206								
RN41	08.78 - 07.83	18RC	4	2.0	Distributor cap	08.78 - 07.79	GD366			
						08.79 - 07.83	GD679			
						Distributor rotor		GD527		
						Contact set		GD207		
						Condensor		GD209		
RN36	01.79 - 07.83	18R	4	2.0	Distributor cap		GD679			
						Distributor rotor		GD527		
						Contact set		GD207		
						Condensor		GD680		
RN46	01.79 - 07.83	18R	4	2.0	Distributor cap		GD679			
						Distributor rotor		GD527		
						Contact set		GD207		
						Condensor		GD680		
YN52/57/60/65	09.83 - 08.88	3Y	4	2.0	Distributor cap		GD679			
						Distributor rotor		GD527		
						Contact set		GD207		
						Condensor		GD209		
YN57R	06.84 - 11.86	3Y	4	2.0	Distributor cap		GD679			
						Distributor rotor		GD527		
						Contact set		GD207		
						Condensor		GD209		
RN50/55/58/ 61/67	01.86 - 07.98	22R	4	2.4	Distributor cap		GD914			
						Distributor rotor		GD802		
YN67R	02.86 - 08.98	4Y	4	2.2	Distributor cap	09.91 - 08.98	GD813			
						Distributor rotor		GD802		
YN50/55	08.86 - 07.98	1Y	4	1.6	Distributor cap		GD679			
						Distributor rotor		GD527		
						Contact set		GD207		
						Condensor		GD209		
YN58/62/63/67	08.86 - 07.98	4Y	4	2.2	Distributor cap		GD813			
						Distributor rotor		GD802		
YN51R	11.86 - 08.98	2Y	4	1.8	Distributor cap	11.91 - 08.98	GD813			
						Distributor rotor	11.91 - 08.98	GD802		
						Contact set	11.91 - 08.98	GD207		
						Condensor	11.91 - 08.98	GD209		
YN51/56	08.87 - 08.88	2Y	4	1.8	Contact set		GD207			
						Condensor		GD209		
YN85	08.88 - 08.94	2Y	4	1.8	Distributor cap	08.88 - 01.90	GD679			
						02.90 - 08.94	GD813			
						Distributor rotor	08.88 - 01.90	GD527		
							02.90 - 08.94	GD802		
						Contact set	08.88 - 01.90	GD207		
Condensor	08.88 - 01.90	GD209								
YN106	08.88 - 08.94	4Y	4	2.2	Distributor cap	08.88 - 01.90	GD679			
						01.90 - 08.94	GD813			
						Distributor rotor	08.88 - 01.90	GD527		
							01.90 - 08.94	GD802		
						Contact set	08.88 - 01.90	GD207		
Condensor	08.88 - 01.90	GD209								
YN110	08.88 - 08.94	4Y	4	2.2	Distributor cap	08.88 - 01.90	GD679			
						01.90 - 08.94	GD813			



◀ TOYOTA

Model	Year Range	Code	Cyl	I/room	Product	Year Range	Part Number
YN110	08.88 - 08.94	4Y	4	2.2	Distributor rotor	08.88 - 01.90	GD527
						01.90 - 08.94	GD802
					Contact set	08.88 - 01.90	GD207
					Condensor	08.88 - 01.90	GD209
RN110R	08.88 - 08.97	22R	4	2.4	Distributor cap	08.88 - 08.92	GD806
						09.92 - 08.97	GD914
RN110	09.88 - 08.97	22RE	4	2.4	Distributor cap	09.88 - 08.92	GD806
					Distributor rotor		GD689
YN85	01.89 - 10.94	2Y	4	1.8	Distributor cap	01.89 - 03.90	GD679
						03.90 - 10.94	GD813
					Distributor rotor	01.89 - 03.90	GD527
						03.90 - 10.94	GD802
VZ130	08.89 - 11.95	3VZE	6	3.0	Distributor cap	08.89 - 08.91	GD832
						09.91 - 11.95	GD817
					Distributor rotor	08.89 - 08.91	GD913
						09.91 - 11.95	GD910
RZN147/ RZN152H	08.97 - 12.02	1RZE	4	2.0	Distributor cap		GD906
					Distributor rotor		GD907
Hilux Surf							
VZN130G	08.90 - 11.95	3VZE	6	3.0	Distributor cap	08.90 - 08.91	GD832
						09.91 - 11.95	GD817
					Distributor rotor	08.90 - 08.91	GD913
						09.91 - 11.95	GD910
Land Cruiser							
FJ40, 45, 55	01.60 - 02.69	F	6	3.9	Distributor cap		GD514
					Distributor rotor		GD507
					Contact set		GD202
					Condensor		GD111
FJ40	03.69 - 01.75	F	6	3.9	Distributor cap		GD514
					Distributor rotor		GD507
					Contact set		GD202
					Condensor		GD111
FJ45	03.69 - 01.75	F	6	3.9	Distributor cap		GD514
					Distributor rotor		GD507
					Contact set		GD202
					Condensor		GD111
FJ55	03.69 - 01.75	F	6	3.9	Distributor cap		GD514
					Distributor rotor		GD507
					Contact set		GD202
					Condensor		GD111
FJ40	01.75 - 07.80	2F	6	4.2	Distributor cap		GD514
					Distributor rotor		GD507
					Contact set		GD207
					Condensor		GD111
FJ45	01.75 - 07.80	2F	6	4.2	Distributor cap		GD514
					Distributor rotor		GD507
					Contact set		GD207
					Condensor		GD111
FJ55	02.75 - 12.80	F	6	3.9	Distributor cap		GD514
					Distributor rotor		GD507
					Contact set		GD202
					Condensor		GD111
FJ60	08.80 - 11.84	2F	6	4.2	Distributor cap		GD808
					Contact set		GD207
FJ40	08.80 - 10.85	2F	6	4.2	Contact set		GD207
FJ45	08.80 - 04.86	2F	6	4.2	Contact set		GD207
FJ62	11.84 - 08.87	3F	6	4.0	Distributor cap		GD808
					Distributor rotor		GD809
					Contact set		GD207



						Product			
		Type	Cyl.	/Room			Fitment Date	Bosch Part Number	Special Cases
FJ62	11.84 - 08.87	3F	6	4.0		Condensor		GD206	
FJ70	01.85 - 11.88	22R	4	2.4		Distributor cap		GD813	
						Distributor rotor		GD802	
FJ75RP	02.86 - 04.92	3F	6	4.0		Distributor cap	02.86 - 04.90	GD808	
						Contact set		GD207	
						Condensor		GD206	
FJ62	01.87 - 12.88	3F	6	4.0		Distributor cap		GD808	
						Distributor rotor		GD809	
						Contact set		GD207	
						Condensor		GD206	
FJ62, 70, 73, 75	09.87 - 12.92	3F	6	4.0		Distributor cap		GD808	
						Distributor rotor		GD809	
						Contact set		GD207	
						Condensor		GD206	
RJ70	12.88 - 12.90	22R	4	2.4		Distributor cap		GD806	
						Distributor rotor		GD802	
	12.88 - 04.96	22RE	4	2.4		Distributor cap		GD806	
						Distributor rotor		GD689	
FJ80	01.90 - 08.92	3FE	6	4.0		Distributor cap		GD919	
						Distributor rotor		GD913	
FZJ80	08.92 - 01.98	1FZFE	6	4.5		Distributor cap		GD909	
						Distributor rotor		GD913	
Land Cruiser Prado									
RZJ90W/RZJ95W	04.96 - 09.02	3RZFE	4	2.7		Distributor cap		GD906	
						Distributor rotor		GD907	
RZJ90/95	10.96 - 08.04	3RZFE	4	2.7		Distributor cap		GD906	
						Distributor rotor		GD907	
Liteace									
KM20	10.79 - 08.85	4K	4	1.3		Distributor cap	10.79 - 08.81	GD516	
						Distributor rotor	10.79 - 08.81	GD515	
						Contact set		GD207	
						Condensor	10.79 - 08.81	GD205	
YM21	11.83 - 08.85	2YC	4	1.8		Distributor cap		GD813	
						Distributor rotor		GD689	
M3	10.85 - 08.88	2YC	4	1.8		Distributor cap		GD813	
						Distributor rotor	10.85 - 09.87	GD689	
							10.87 - 08.88	GD688	
KM30	08.88 - 01.92	5K	4	1.5		Distributor cap		GD800	
						Distributor rotor		GD527	
KM36	08.88 - 01.92	5K	4	1.5		Distributor cap		GD800	
						Distributor rotor		GD527	
M3	01.90 - 01.92	2YC	4	2.0		Distributor cap		GD813	
						Distributor rotor		GD688	
MR2									
AW11	11.84 - 12.89	4AGEL	4	1.6		Distributor cap	11.84 - 08.87	GD801	
							09.87 - 12.89	GD834	
						Distributor rotor		GD802	
	08.87 - 12.89	4AGELC	4	1.6		Distributor cap	09.87 - 12.89	GD834	
						Distributor rotor	09.87 - 12.89	GD802	
SW20	12.89 - 12.91	3SGE	4	2.0		Distributor cap		GD920	
						Distributor rotor		GD829	
	12.89 - 08.99	3SGE	4	2.0		Distributor cap	12.89 - 12.91	GD920	
							12.91 - 08.99	GD921	
						Distributor rotor		GD829	
Paseo									
EL44	09.91 - 08.95	5EFE	4	1.5		Distributor cap		GD839	
						Distributor rotor		GD804	
EL54R	08.95 - 07.99	5EFE	4	1.5		Distributor cap		GD839	
						Distributor rotor		GD804	



◀ TOYOTA

RAV4

SXA 10/11	04.94 - 08.00	3SFE	4	2.0	Distributor cap	GD842
					Distributor rotor	GD804

Spacia

YR22	10.93 - 08.96	4YEC	4	2.2	Distributor cap	GD813
					Distributor rotor	GD802

Sprinter

AE86	05.83 - 05.85	4AC	4	1.6	Distributor cap	GD692
					Distributor rotor	GD527
	08.83 - 07.87	4AGE	4	1.6	Distributor cap	GD826
					Distributor rotor	GD802

Starlet

EP91	01.96 - 07.99	4EFE	4	1.3	Distributor cap	GD839
					Distributor rotor	GD804

Stout

RK101	09.67 - 02.79	5R	4	2.0	Distributor cap	09.67 - 10.70	GD516
						11.70 - 02.79	GD366
					Distributor rotor	09.67 - 10.70	GD515
						11.70 - 02.79	GD527
				Condensor	09.67 - 10.70	GD205	
					11.70 - 02.79	GD209	

Supra

MA61	08.81 - 12.85	5ME	6	2.8	Distributor cap	08.83 - 12.85	GD911
							GD683
MA70	01.86 - 08.88	7MGE	6	3.0	Distributor cap	GD819	
					Distributor rotor	GD910	
	08.88 - 12.90	7MGE	6	3.0	Distributor cap	GD819	
					Distributor rotor	GD910	
MA71	10.88 - 04.93	7MGTE	6	3.0	Distributor cap	GD819	
							GD910

Tarago

YR20	02.83 - 03.84	2YC	4	1.8	Distributor cap	GD813
YR21	03.84 - 10.85	3YC	4	2.0	Distributor cap	GD813
YR31	01.86 - 07.88	4YEC	4	2.2	Distributor cap	GD813
					Distributor rotor	GD802
	01.86 - 04.90	4YEC	4	2.2	Distributor cap	GD813
					Distributor rotor	GD802
TCR10R	05.90 - 12.00	2TZFE	4	2.4	Distributor cap	GD838

Tercel

AL25	09.82 - 08.88	3AC	4	1.5	Distributor cap	GD692
					Distributor rotor	GD527
	10.82 - 01.88	3A	4	1.5	Distributor cap	GD692
					Distributor rotor	GD527
					Contact set	GD214
					Condensor	GD680

Townace

YR39	04.92 - 12.96	3YC	4	2.0	Distributor cap	GD813
					Distributor rotor	GD688

Toyoace

RY16	07.72 - 02.79	5R	4	2.0	Distributor cap	GD516
-------------	---------------	----	---	-----	-----------------	--------------

					Product			
RY16	07.72 - 02.79	5R	4	2.0	Distributor rotor		GD515	
					Contact set		GD207	
					Condensor		GD205	
RY31	05.80 - 07.85	5R	4	2.0	Distributor cap		GD679	
					Distributor rotor		GD527	
					Contact set		GD207	
					Condensor		GD209	
4-Runner								
RN130	08.89 - 11.95	22R	4	2.4	Distributor cap		GD813	
					Distributor rotor		GD802	
VZN130	01.90 - 11.95	3VZE	6	3.0	Distributor cap	01.90 - 08.91	GD832	
						09.91 - 11.95	GD817	
					Distributor rotor	01.90 - 08.91	GD913	
						09.91 - 11.95	GD910	
RN130	08.90 - 08.95	22RE	4	2.4	Distributor cap		GD813	
					Distributor rotor		GD802	
TRIUMPH								
Dolomite								
	09.75 - 12.75	WF	4	1.9	Distributor cap		GD110	Delco Remy
					Distributor rotor		GD69	Delco Remy
					Contact set		GD50	Delco Remy
					Condensor		GD11E	Delco Remy
	04.76 - 12.77	WF	4	1.9	Distributor cap		GD110	Delco Remy
					Distributor rotor		GD69	Delco Remy
					Contact set		GD50	Delco Remy
					Condensor		GD11E	Delco Remy
GT6 MK I								
	03.67 - 09.68	KC	6	2.0	Distributor cap		GL274	
					Distributor rotor		GL254	
					Contact set		GL19	
					Condensor		GL103	
GT6 MK II								
	07.69 - 12.70	KC	6	2.0	Distributor cap		GL274	
					Distributor rotor		GL254	
					Contact set		GL19	
					Condensor		GL103	
GT6 MK III								
	07.71 - 11.72	KE	6	2.0	Distributor cap		GL274	
					Distributor rotor		GL254	
					Contact set		GL19	
					Condensor		GL103	
	12.72 - 11.73	KE	6	2.0	Distributor cap		GL274	
					Distributor rotor		GL254	
					Contact set		GL19	
					Condensor		GL103	
Herald								
12/50	01.61 - 12.67	AJM	4	1.1	Distributor cap		GL225	
					Distributor rotor		GL229	
					Contact set		GL19	
					Condensor		GL103	
			1.3	Distributor cap		GL225		
				Distributor rotor		GL229		
				Contact set		GL19		
				Condensor		GL103		



◀ TRIUMPH

Product							
Spitfire Mk I							
04.63 - 12.65	AJM		4	1.1	Distributor cap		GD101
					Distributor rotor		GD85
					Contact set		GD502
					Condensor		GD11E
Spitfire Mk II							
01.66 - 12.67	AJM		4	1.1	Distributor cap		GD101
					Distributor rotor		GD85
					Contact set		GD502
					Condensor		GD11E
Spitfire Mk III							
03.67 - 12.67			4	1.3	Distributor cap		GD101
					Distributor rotor		GD85
					Contact set		GD502
					Condensor		GD11E
Spitfire Mk IV							
12.72 - 12.75			4	1.5	Distributor cap		GL109 LUC
					Distributor rotor		GL803 LUC
					Contact set		GL769 LUC
					Condensor		GL179 LUC
Stag							
09.72 - 06.77	LD,LF		8	3.0	Distributor cap		GL665
					Distributor rotor		GL854
					Contact set		GL19V
					Condensor		GL103
TR2							
04.54 - 12.55	F106A		4	2.0	Distributor cap		GL225
					Distributor rotor		GL229
					Contact set		GL14
					Condensor		GL103
TR3							
04.56 - 12.57			4	2.0	Distributor cap		GL225
					Distributor rotor		GL229
					Contact set	04.56 - 10.56	GL14
						11.56 - 12.57	GL19
					Condensor		GL103
TR3A							
04.58 - 09.61			4	2.0	Distributor cap		GL225
					Distributor rotor		GL229
					Contact set		GL19
					Condensor		GL103
TR4							
10.61 - 06.65	CT		4	2.0	Distributor cap		GL225
					Distributor rotor		GL229
					Contact set		GL19
					Condensor		GL103
TR4A							
07.65 - 09.67	CT		4	2.1	Distributor cap		GL225
					Distributor rotor		GL229
					Contact set		GL19
					Condensor		GL103





TR5							
10.67 - 09.68			6	2.5	Distributor cap	GL274	
					Distributor rotor	GL254	
					Contact set	GL19	
					Condensor	GL103	
TR6							
07.69 - 12.72	CP		6	2.5	Distributor cap	GL212	
					Contact set	GL19	
					Condensor	GL103	
01.73 - 02.75	CF1		6	2.5	Distributor cap	GL212	
					Contact set	GL19	
					Condensor	GL103	
TR7							
06.78 - 08.81	CG2		4	2.0	Distributor cap	GD110	Delco Remy
						GL109	LUC
					Distributor rotor	GD69	Delco Remy
						GL803	LUC
					Contact set	GD50	Delco Remy
					Condensor	GD11E	Delco Remy
2000 MK I							
01.68 - 12.75	MB		6	2.0	Distributor cap	GL274	
					Distributor rotor	GL254	
					Contact set	GL19	
					Condensor	GL103	
2000 MK II							
05.72 - 12.74	ME		6	2.0	Distributor cap	GL269	
					Distributor rotor	GL256	
					Contact set	GL19	
					Condensor	GL103	
05.74 - 05.75	ML		6	2.0	Distributor cap	GL838	
					Distributor rotor	GL803	
					Contact set	GL769	
					Condensor	GL551	
2000 TC MK II							
05.75 - 05.77	ML		6	2.0	Distributor cap	GL838	
					Distributor rotor	GL803	
					Contact set	GL769	
					Condensor	GL551	
2500 S							
06.77 - 12.77	MM		6	2.5	Distributor cap	GL838	
					Distributor rotor	GL803	
					Contact set	GL769	
					Condensor	GL551	
2500 TC							
05.74 - 04.75	MK		6	2.5	Distributor cap	GL838	
					Distributor rotor	GL803	
					Contact set	GL769	
					Condensor	GL551	
05.75 - 12.77	MM		6	2.5	Distributor cap	GL838	
					Distributor rotor	GL803	
					Contact set	GL769	
					Condensor	GL551	



VOLVO

C70

09.97 - 07.02	B5234T3	5	2.3	Distributor cap	09.97 - 07.98	GB953
				Distributor rotor	09.97 - 07.98	GB954

P1800E

09.69 - 07.70	B 20 E	4	2.0	Distributor cap		GB633
				Distributor rotor		GB782
				Contact set		GB772
				Condensor		GB735
08.70 - 07.73	B 20 E	4	2.0	Distributor cap		GB633
				Distributor rotor	06.71 - 07.73	GB739
				Distributor rotor		GB782
				Contact set	06.71 - 07.73	GB782
				Contact set		GB772
				Condensor	06.71 - 07.73	GB752
				Condensor		GB735
				Condensor	06.71 - 07.73	GB735

P1800ES

09.71 - 07.73	B 20 E	4	2.0	Distributor cap		GB739
				Distributor rotor		GB782
				Contact set		GB752
				Condensor		GB735

S70

01.97 - 07.99	B5254S	5	2.4	Distributor cap	01.97 - 08.98	GB953
				Distributor rotor	01.97 - 08.98	GB954
	B5254T	5	2.4	Distributor cap	01.97 - 07.98	GB953
				Distributor rotor	01.97 - 07.98	GB954
01.97 - 07.00	B5234T3	5	2.3	Distributor cap	01.97 - 07.98	GB953
				Distributor rotor	01.97 - 07.98	GB954

V70

01.97 - 03.00	B5234T3	5	2.3	Distributor cap	01.97 - 07.98	GB953
				Distributor rotor	01.97 - 07.98	GB954
	B5254S	5	2.4	Distributor cap	01.97 - 07.98	GB953
				Distributor rotor	01.97 - 07.98	GB954
	B5254T	5	2.4	Distributor cap	01.97 - 07.98	GB953
				Distributor rotor	01.97 - 07.98	GB954

140 Series

08.68-07.70	B20A	4	2.0	Distributor cap		GB633
				Distributor rotor		GB782
				Contact set		GB700
				Condensor		GB722
08.70-07.73	B20B	4	2.0	Distributor cap		GB633
				Distributor rotor		GB782
				Contact set		GB534
				Condensor		GB722
09.70 - 07.73	B 20 E	4	2.0	Distributor cap	06.71 - 07.73	GB739
				Distributor rotor	06.71 - 07.73	GB782
				Contact set	06.71 - 07.73	GB752
				Condensor	06.71 - 07.73	GB735

164

05.69-12.72	B30A	6	3.0	Distributorcap		GB75
				Distributor rotor		GB782
				Contact set		GB700
				Condensor		GB722





164E		Type	Cyl.	Room	Product	Filter Data	Bosch Part Number	Special Cases
09.71-07.74	B30E		6	3.0	Distributor cap		GB731	
					Distributor rotor		GB729	
					Contact set		GB721	
					Condensor		GB727	
240 Series		Type	Cyl.	Room	Product	Filter Data	Bosch Part Number	Special Cases
03.75 - 10.80	B21E		4	2.1	Distributor cap	03.75 - 06.76	GB739	
						07.76 - 10.80	GB739	
					Distributor rotor	03.75 - 06.76	GB782	
						07.76 - 10.80	GB782	
10.78 - 07.84	B21A		4	2.1	Distributor cap		GB739	
					Distributor rotor		GB782	
					Contact set		GB752	
					Condensor		GB753	
01.81 - 07.84	B23E		4	2.3	Distributor cap	01.81 - 07.83	GB739	
						08.83 - 07.84	GB739	
					Distributor rotor	01.81 - 07.83	GB782	
						08.83 - 07.84	GB782	
01.85 - 02.86	B230E		4	2.3	Distributor cap		GB739	
					Distributor rotor		GB898	
03.86 - 07.88	B230F Kat. Chassis →334099		4	2.3	Distributor cap		GB739	
					Distributor rotor		GB899	
					Chassis →808999		GB739	Station wagon
					Distributor rotor		GB899	Station wagon
	Chassis 334100→		4	2.3	Distributor cap		GB739	
					Distributor rotor		GB899	
					Chassis 809000→		GB739	Station wagon
					Distributor rotor		GB899	Station wagon
08.88 - 12.91	B230F Kat. Chassis →334099		4	2.3	Distributor cap		GB739	
					Distributor rotor		GB899	
					Chassis →808999		GB739	Station wagon
					Distributor rotor		GB899	Station wagon
	Chassis 334100→		4	2.3	Distributor cap		GB739	
					Distributor rotor		GB899	
					Chassis 809000→		GB739	Station wagon
					Distributor rotor		GB899	Station wagon
08.92 - 07.93	B230F		4	2.3	Distributor cap		GB739	
					Distributor rotor		GB899	
260 Series		Type	Cyl.	Room	Product	Filter Data	Bosch Part Number	Special Cases
08.74 - 07.80	B27E		6	2.7	Distributor cap	08.74 - 03.78	GB797	
						04.78 - 07.80	GB797	
					Distributor rotor	08.74 - 03.78	GB747	
						04.78 - 07.80	GB747	
02.81 - 07.84	B28E		6	2.8	Distributor cap		GB797	
					Distributor rotor		GB747	
360		Type	Cyl.	Room	Product	Filter Data	Bosch Part Number	Special Cases
01.84 - 07.84	B19E		4	2.0	Distributor cap		GB739	
					Distributor rotor		GB842	
01.85 - 12.88	B200E Chassis →240999		4	2.0	Distributor cap		GB739	
							GB799	
					Distributor rotor		GB897	
					Chassis 241000→		GB739	
					Distributor cap		GB739	
					Distributor rotor		GB799	
					Distributor cap		GB739	
					Distributor rotor		GB899	
440		Type	Cyl.	Room	Product	Filter Data	Bosch Part Number	Special Cases
10.93 - 12.96	B20F Kat.		4	2.0	Distributor cap		GD719	



◀ VOLVO

10.93 - 12.96	B20F Kat.	4	2.0	Distributor rotor	GD722
---------------	-----------	---	-----	-------------------	--------------

740

08.84 - 07.91	B230E	4	2.3	Distributor cap	GB894
				Distributor rotor	GB895
	B230FT Kat.	4	2.3	Distributor cap	GB894
				Distributor rotor	GB895
08.84 - 07.92	B230F Kat. Chassis →176799	4	2.3	Distributor cap	GB894 Station wagon
				Distributor rotor	GB895 Station wagon
		4	2.3	Distributor cap	GB894
	Chassis →294099			Distributor rotor	GB895
04.88 - 07.90	B234F Kat.	4	2.3	Distributor cap	GB894
				Distributor rotor	GB895

760

02.83 - 12.85	B28E	6	2.8	Distributor cap	GB797
				Distributor rotor	GB747
01.86 - 04.86	B28F Kat.	6	2.8	Distributor cap	GB797
				Distributor rotor	GB747
05.86 - 11.90	B280F Kat.	6	2.8	Distributor cap	GB930
				Distributor rotor	GB884

850

09.91 - 07.97	B5254S Kat.	5	2.5	Distributor cap	GB953
				Distributor rotor	GB954
09.92 - 07.97	B5252S Kat.	5	2.5	Distributor cap	GB953
				Distributor rotor	GB954
09.93 - 07.96	B5234FT Kat.	5	2.3	Distributor cap	GB953
				Distributor rotor	GB954
08.95 - 07.97	B5234T4 Kat.	5	2.3	Distributor cap	GB953
				Distributor rotor	GB954
09.95 - 07.97	B5254S Kat.	5	2.5	Distributor cap	GB953
				Distributor rotor	GB954
09.96 - 07.97	B5254T Kat.	5	2.5	Distributor cap	GB953
				Distributor rotor	GB954

940

12.90 - 07.92	B234F Kat.	4	2.3	Distributor cap	GB894
				Distributor rotor	GB895

960

09.90 - 07.91	B280F Kat.	6	2.8	Distributor cap	GB930
				Distributor rotor	GB884

VW (VOLKSWAGEN)

Beetle

1200	06.54 - 06.60	A	4	1.2	Distributor cap	GB72
					Distributor rotor	GB603
					Contact set	GB504
					Condensor	GB60
	07.60 - 12.65	D	4	1.2	Distributor cap	GB207
					Distributor rotor	GB225
					Contact set	GB185
					Condensor	GB295
1300	02.66 - 03.68	F	4	1.3	Distributor cap	GB514
					Distributor rotor	GB524
					Contact set	GB516
					Condensor	GB512
1500	09.68 - 12.70	H	4	1.5	Distributor cap	GB514
					Distributor rotor	GB524

						Product			
		Type	Cyl.	/Room			Fitment Date	Bosch Part Number	Special Cases
1500	09.68 - 12.70	H	4	1.5	Contact set			GB516	
					Condensor			GB512	
1302	02.71 - 12.73	AD	4	1.6	Distributor cap			GB514	
					Distributor rotor			GB524	
					Contact set			GB529	
					Condensor			GB715	
1300	02.71 - 10.75	AB, AR	4	1.3	Distributor cap			GB514	
					Distributor rotor			GB524	
					Contact set			GB529	
					Condensor			GB715	
1303	02.73 - 10.75	AD	4	1.6	Distributor cap			GB514	
					Distributor rotor			GB524	
					Contact set			GB529	
					Condensor			GB715	
1600	01.76 - 07.76	AS	4	1.6	Distributor cap			GB514	
					Distributor rotor			GB524	
					Contact set			GB529	
					Condensor			GB715	
Bus									
24, 25	08.85 - 07.92	MV							
		Chassis →24-L-060000	4	2.1	Distributor cap	08.85 - 02.90		GB883	
					Distributor rotor	08.85 - 02.90		GB899	
		Chassis	4	2.1	Distributor cap	02.90 - 07.91		GB997	
		24-L-060001→			Distributor rotor	02.90 - 07.91		GB899	
		24-M-105000							
		Chassis 24-M-105 001→	4	2.1	Distributor cap	07.91 - 07.92		GB940	
					Distributor rotor	07.91 - 07.92		GB899	
Caravelle									
256	06.87 - 12.91	DJ	5	2.1	Distributor cap			GB921	
					Distributor rotor			GB859	
70, 7D	09.90 - 06.03	AAC							
		Chassis →70..M..040 000	4	2.0	Distributor cap	09.90 - 02.91		GB997	
					Distributor rotor	09.90 - 02.91		GB899	
		Chassis 70..M..040 001→	4	2.0	Distributor cap	03.91 - 06.03		GB940	
					Distributor rotor	03.91 - 06.03		GB899	
	11.90 - 12.93	AAF	5	2.5	Distributor cap			GB915	
					Distributor rotor			GB914	
	08.96 - 06.03	AET	5	2.5	Distributor cap			GB915	
					Distributor rotor			GB914	
Golf									
17	03.76 - 07.77	FP	4	1.6	Distributor cap			GB739	
					Distributor rotor			GB782	
					Contact set			GB534	
					Condensor			GB812	
	03.76 - 07.79	FN	4	1.6	Distributor cap			GB739	
					Distributor rotor			GB782	
					Contact set			GB534	
					Condensor			GB812	
Golf Cabriolet									
15	07.90 - 08.93	JH	4	1.8	Distributor cap			GB921	
								GB940	
					Distributor rotor			GB859	
Golf II									
19, 1G	07.90 - 11.92	RV	4	1.8	Distributor cap			GB997	
					Distributor rotor			GB899	



◀ VW

19, 1G	07.90 - 11.92	RV	4	1.8	Distributor cap	07.90 - 02.91	GB997
		Chassis			Distributor rotor	07.90 - 02.91	GB899
		1G..LW320 001→ 1G..MW480 000, 1G..LB100 001→ 1G..MB150 000					
		Chassis			Distributor cap	03.91 - 11.92	GB940
		1G..MW480 001→, 1G..MB150 001→			Distributor rotor	03.91 - 11.92	GB899

Golf III

1H1	04.94 - 09.94	2E	4	2.0	Distributor cap		GB940		
					Distributor rotor		GB899		
	10.94 - 12.97	ADY	4	2.0	Distributor cap		GB940		
					Distributor rotor		GB899	BO	
							GB899	BO	
1E7	02.95 - 07.95	ADY	4	2.0	Distributor cap		GB940		
					Distributor rotor		GB899		
		Chassis →1E..S..040 000	4	2.0	Distributor cap		GB940	BO	
			Distributor rotor		GB899	BO			
		Chassis 1E..T..000 001→	4	2.0	Distributor cap	07.95 - 07.95	GB940	BO	
					Distributor rotor	07.95 - 07.95	GB899	BO	
	07.95 - 04.98	AGG	4	2.0	Distributor cap		GB940		
					Distributor rotor		GB899	BO	
							GB899	BO	
1H1	10.95 - 12.97	ADZ	4	1.8	Distributor cap		GB940		
						Distributor rotor		GB899	BO
								GB899	BO

Golf IV

1E7	04.98 - 12.01	AGG	4	2.0	Distributor cap		GB940
					Distributor rotor		GB899

Microbus

	10.68 - 09.74	CZ	4	1.6	Distributor cap		GB739
					Distributor rotor		GB782
					Contact set		GB534
					Condensor		GB808
		Eng.	4	1.6	Distributor cap		GB739
		AD 0 768 884→AD 0 990 000, AS 0 000 001→AS 0 338 000, AS 0 338 001→			Distributor rotor		GB757
	01.75 - 12.83	CU	4	2.0	Distributor cap	01.75 - 12.80	GB739
					Distributor rotor	01.75 - 12.80	GB782
					Contact set	01.75 - 12.80	GB534
					Condensor	01.75 - 12.80	GB808

Passat

32/33	02.74 - 10.75	ZB	4	1.5	Distributor cap		GB739
					Distributor rotor		GB782
					Contact set		GB534
					Condensor		GB812
		ZF	4	1.3	Distributor cap		GB739
					Distributor rotor		GB782
					Contact set		GB534
					Condensor		GB812
	11.75 - 02.77	FS	4	1.6	Distributor cap		GB739
					Distributor rotor		GB782
					Contact set		GB534
					Condensor		GB812



Polo										
6N1	10.96 - 12.99	AEE	4	1.6	Distributor cap		GB997			
							GB997	BO		
					Distributor rotor		GB899			
							GB899	BO		
Transporter										
21-27	05.73 - 07.73	CA Chassis 0000001→0040000	4	1.7	Distributor cap	07.73 - 07.73	GB739			
					Distributor rotor	07.73 - 07.73	GB792			
					Contact set	07.73 - 07.73	GB534			
					Condensor	07.73 - 07.73	GB808			
	01.74 - 07.75	AP Chassis 0000001→0040000	4	1.8	Distributor cap		GB739			
					Distributor rotor		GB792			
					Contact set		GB534			
					Condensor		GB808			
	08.75 - 07.77	GD	4	2.0	Distributor cap		GB739			
					Distributor rotor		GB792			
					Contact set		GB534			
					Condensor		GB808			
					Chassis 0000001→0040000	4	2.0	Distributor cap		GB739
							Distributor rotor		GB792	
							Contact set		GB534	
							Condensor		GB808	
Chassis 0039332→	4	2.0	Distributor cap		GB739	Ascertain in vehicle				
			Distributor rotor		GB782	Ascertain in vehicle				
			Contact set		GB534	Ascertain in vehicle				
			Condensor		GB808	Ascertain in vehicle				
11.75 - 04.79	CJ Chassis 0000001→0040000	4	2.0	Distributor cap		GB739				
				Distributor rotor		GB792				
				Contact set		GB534				
				Condensor		GB808				
24, 25	01.83 - 07.85	DH	4	1.9	Distributor cap	07.84 - 07.85	GB883			
					Distributor rotor	07.84 - 07.85	GB859			
	07.85 - 07.92	DJ Chassis →24-M-105000	4	2.1	Distributor cap	07.85 - 07.91	GB883			
							GB921			
					Distributor rotor	07.85 - 07.91	GB859			
					Chassis 24-M-105001→	4	2.1	Distributor cap	07.91 - 07.92	GB921
				Distributor rotor	07.91 - 07.92	GB859				
	08.85 - 07.92	MV Chassis →24-L-060000	4	2.1	Distributor cap	08.85 - 02.90	GB883			
					Distributor rotor	08.85 - 02.90	GB899			
					Chassis 24-L-060001→ 24-M-105000	4	2.1	Distributor cap	02.90 - 07.91	GB997
							Distributor rotor	02.90 - 07.91	GB899	
					Chassis 24-M-105 001→	4	2.1	Distributor cap	07.91 - 07.92	GB940
						Distributor rotor	07.91 - 07.92	GB899		
70, 7D	09.90 - 06.03	AAC Chassis →70..M..040 000	4	2.0	Distributor cap	09.90 - 02.91	GB997			
					Distributor rotor	09.90 - 02.91	GB899			
					Chassis 70..M..040 001→	4	2.0	Distributor cap	03.91 - 06.03	GB940
							Distributor rotor	03.91 - 06.03	GB899	

					Product			
		Type	Cyl.	/Room		Fitment Data	Bosch Part Number	Special Cases

◀ VW

70, 7D	11.90 - 12.93	AAF	5	2.5	Distributor cap	GB915
					Distributor rotor	GB914
	11.92 - 12.93	AAF	5	2.5	Distributor cap	GB915
					Distributor rotor	GB914
08.96 - 06.03	AET	5	2.5	Distributor cap	GB915	
				Distributor rotor	GB914	

Vento


1H2	07.95 - 03.97	AGG	4	2.0	Distributor cap	GB940
					Distributor rotor	GB899




Product Identification Images



Ignition Distributor Caps




Part Number	Ignition System	Vehicle Manufacturer
GA039	Autolite	Chrysler, Dodge




Part Number	Ignition System	Vehicle Manufacturer
GA103	Autolite	Chrysler

Image not available at time of print

Part Number	Ignition System	Vehicle Manufacturer
GA105	Autolite	International Trucks




Part Number	Ignition System	Vehicle Manufacturer
GA192	Autolite	Ford




Part Number	Ignition System	Vehicle Manufacturer
GA200	Accel	Accel Aftermarket Distributor




Part Number	Ignition System	Vehicle Manufacturer
GA201	Accel	Accel Aftermarket Distributor




Part Number	Ignition System	Vehicle Manufacturer
GB72	Bosch	BMW, Porsche, Volkswagen




Part Number	Ignition System	Vehicle Manufacturer
GB74	Bosch	Holden, Porsche




Part Number	Ignition System	Vehicle Manufacturer
GB75	Bosch	BMW, Chrysler, Porsche




Part Number	Ignition System	Vehicle Manufacturer
GB207	Bosch	Volkswagen




Part Number	Ignition System	Vehicle Manufacturer
GB501	Bosch	Ford, Holden




Part Number	Ignition System	Vehicle Manufacturer
GB514	Bosch	Peugeot, Volkswagen




Part Number	Ignition System	Vehicle Manufacturer
GB539	Bosch	Chrysler, Ford, Holden




Part Number	Ignition System	Vehicle Manufacturer
GB633	Bosch	Mercedes-Benz, Volvo




Part Number	Ignition System	Vehicle Manufacturer
GB635	Bosch	Mercedes-Benz




Part Number	Ignition System	Vehicle Manufacturer
GB708	Bosch	Chrysler, Toyota




Part Number	Ignition System	Vehicle Manufacturer
GB731	Bosch	Alfa-Romeo, BMW, Mercedes-Benz, Porsche, Volvo




Part Number	Ignition System	Vehicle Manufacturer
GB739	Bosch	Alfa-Romeo, Audi, Ford, Lancia, Mercedes-Benz, Peugeot, Porsche, SAAB, Volkswagen, Volvo




Part Number	Ignition System	Vehicle Manufacturer
GB775	Bosch	Mercedes-Benz




Part Number	Ignition System	Vehicle Manufacturer
GB777	Bosch	Mercedes-Benz




Part Number	Ignition System	Vehicle Manufacturer
GB796	Bosch	Mercedes-Benz



Part Number	Ignition System	Vehicle Manufacturer
GB797	Bosch	Peugeot, Volvo



Part Number	Ignition System	Vehicle Manufacturer
GB798	Bosch	BMW



Part Number	Ignition System	Vehicle Manufacturer
GB799	Bosch	Audi, Volkswagen, Volvo



Ignition Distributor Caps



Part Number	Ignition System	Vehicle Manufacturer
GB819	Bosch	Holden



Part Number	Ignition System	Vehicle Manufacturer
GB820	Bosch	Holden, Mitsubishi, Nissan, Toyota



Part Number	Ignition System	Vehicle Manufacturer
GB829	Bosch	Holden



Part Number	Ignition System	Vehicle Manufacturer
GB830	Bosch	Bedford, Holden



Part Number	Ignition System	Vehicle Manufacturer
GB834	Bosch	Ford



Part Number	Ignition System	Vehicle Manufacturer
GB836	Bosch	Audi



Part Number	Ignition System	Vehicle Manufacturer
GB839	Bosch	BMW



Part Number	Ignition System	Vehicle Manufacturer
GB841	Bosch	Mercedes-Benz



Part Number	Ignition System	Vehicle Manufacturer
GB843	Bosch	Mercedes-Benz




Part Number	Ignition System	Vehicle Manufacturer
GB845	Bosch	Porsche




Part Number	Ignition System	Vehicle Manufacturer
GB852	Bosch	Ford, Nissan, Mitsubishi




Part Number	Ignition System	Vehicle Manufacturer
GB853	Bosch	Porsche




Part Number	Ignition System	Vehicle Manufacturer
GB860	Bosch	Mercedes-Benz



Part Number	Ignition System	Vehicle Manufacturer
GB862	Bosch	Ford



Part Number	Ignition System	Vehicle Manufacturer
GB863	Bosch	Ford




Part Number	Ignition System	Vehicle Manufacturer
GB866	Bosch	BMW




Part Number	Ignition System	Vehicle Manufacturer
GB871	Bosch	Toyota




Part Number	Ignition System	Vehicle Manufacturer
GB872	Bosch	Ford, Nissan




Part Number	Ignition System	Vehicle Manufacturer
GB874	Bosch	BMW




Part Number	Ignition System	Vehicle Manufacturer
GB876	Bosch	Porsche




Part Number	Ignition System	Vehicle Manufacturer
GB878	Bosch	BMW



Part Number	Ignition System	Vehicle Manufacturer
GB881	Bosch	Audi, Volkswagen




Part Number	Ignition System	Vehicle Manufacturer
GB882	Bosch	Citroen, Peugeot, SAAB




Part Number	Ignition System	Vehicle Manufacturer
GB883	Bosch	Volkswagen




Ignition Distributor Caps




Part Number	Ignition System	Vehicle Manufacturer
GB886	Bosch	Lancia




Part Number	Ignition System	Vehicle Manufacturer
GB889	Bosch	Porsche, Mercedes-Benz




Part Number	Ignition System	Vehicle Manufacturer
GB891	Bosch	Mercedes-Benz




Part Number	Ignition System	Vehicle Manufacturer
GB894	Bosch	Volvo




Part Number	Ignition System	Vehicle Manufacturer
GB907	Bosch	Porsche




Part Number	Ignition System	Vehicle Manufacturer
GB915	Bosch	Audi, Volkswagen




Part Number	Ignition System	Vehicle Manufacturer
GB918	Bosch	Peugeot



Part Number	Ignition System	Vehicle Manufacturer
GB920	Bosch	Fiat




Part Number	Ignition System	Vehicle Manufacturer
GB921	Bosch	Audi, Volkswagen




Part Number	Ignition System	Vehicle Manufacturer
GB924	Bosch	Mercedes-Benz




Part Number	Ignition System	Vehicle Manufacturer
GB926	Bosch	Chrysler, Ford, Holden




Part Number	Ignition System	Vehicle Manufacturer
GB927	Bosch	Holden




Part Number	Ignition System	Vehicle Manufacturer
GB930	Bosch	Alfa-Romeo, Renault, Volvo




Part Number	Ignition System	Vehicle Manufacturer
GB931	Bosch	BMW



Part Number	Ignition System	Vehicle Manufacturer
GB934	Bosch	Mercedes-Benz




Part Number	Ignition System	Vehicle Manufacturer
GB936	Bosch	Mercedes-Benz




Part Number	Ignition System	Vehicle Manufacturer
GB938	Bosch	Peugeot




Part Number	Ignition System	Vehicle Manufacturer
GB940	Bosch	Audi, Volkswagen




Part Number	Ignition System	Vehicle Manufacturer
GB945	Bosch	Mercedes-Benz




Part Number	Ignition System	Vehicle Manufacturer
GB948	Bosch	Holden



Part Number	Ignition System	Vehicle Manufacturer
GB950	Bosch	Porsche



Part Number	Ignition System	Vehicle Manufacturer
GB953	Bosch	Volvo



Part Number	Ignition System	Vehicle Manufacturer
GB962	Bosch	Audi


Image not available at time of print

Part Number	Ignition System	Vehicle Manufacturer
GB966	Bosch	Audi


Ignition Distributor Caps




Part Number	Ignition System	Vehicle Manufacturer
GB970	Bosch	Mercedes-Benz




Part Number	Ignition System	Vehicle Manufacturer
GB971	Bosch	Mercedes-Benz



Part Number	Ignition System	Vehicle Manufacturer
GB973	Bosch	Mercedes-Benz




Part Number	Ignition System	Vehicle Manufacturer
GB976	Bosch	Mercedes-Benz




Part Number	Ignition System	Vehicle Manufacturer
GB978	Bosch	Mercedes-Benz




Part Number	Ignition System	Vehicle Manufacturer
GB997	Bosch	SEAT, Volkswagen




Part Number	Ignition System	Vehicle Manufacturer
GB998	Bosch	SEAT




Part Number	Ignition System	Vehicle Manufacturer
GD86	Delco	Bedford, Holden



Part Number	Ignition System	Vehicle Manufacturer
GD101	Delco	Bedford, Holden



Part Number	Ignition System	Vehicle Manufacturer
GD110	Delco	Bedford, Holden, Triumph




Part Number	Ignition System	Vehicle Manufacturer
GD366	Nippondenso	Daihatsu, Holden, Toyota




Part Number	Ignition System	Vehicle Manufacturer
GD514	Nippondenso	Toyota



Part Number	Ignition System	Vehicle Manufacturer
GD516	Nippondenso	Toyota



Part Number	Ignition System	Vehicle Manufacturer
GD607	Delco	Buick, Chevrolet, Holden, Rambler



Part Number	Ignition System	Vehicle Manufacturer
GD608	Delco	Holden




Part Number	Ignition System	Vehicle Manufacturer
GD640	Delco	Industrial Forklift

Image not available at time of print


Part Number	Ignition System	Vehicle Manufacturer
GD650	Delco	Chevrolet

Image not available at time of print


Part Number	Ignition System	Vehicle Manufacturer
GD658	Delco	Chevrolet



Part Number	Ignition System	Vehicle Manufacturer
GD665	Delco	Chevrolet, Holden, Rambler




Part Number	Ignition System	Vehicle Manufacturer
GD666	Delco	Chevrolet




Part Number	Ignition System	Vehicle Manufacturer
GD667	Delco	Chevrolet



Part Number	Ignition System	Vehicle Manufacturer
GD668	Delco	Chevrolet




Part Number	Ignition System	Vehicle Manufacturer
GD674	Nippondenso	Suzuki



Part Number	Ignition System	Vehicle Manufacturer
GD676	Nippondenso	Daihatsu


Ignition Distributor Caps




Part Number	Ignition System	Vehicle Manufacturer
GD677	Nippondenso	Toyota




Part Number	Ignition System	Vehicle Manufacturer
GD678	Nippondenso	Daihatsu




Part Number	Ignition System	Vehicle Manufacturer
GD679	Nippondenso	Holden, Suzuki, Toyota




Part Number	Ignition System	Vehicle Manufacturer
GD681	Nippondenso	Suzuki




Part Number	Ignition System	Vehicle Manufacturer
GD682	Nippondenso	Holden




Part Number	Ignition System	Vehicle Manufacturer
GD684	Nippondenso	Mitsubishi




Part Number	Ignition System	Vehicle Manufacturer
GD685	Nippondenso	Toyota




Part Number	Ignition System	Vehicle Manufacturer
GD687	Nippondenso	Toyota




Part Number	Ignition System	Vehicle Manufacturer
GD691	Nippondenso	Toyota




Part Number	Ignition System	Vehicle Manufacturer
GD692	Nippondenso	Holden




Part Number	Ignition System	Vehicle Manufacturer
GD695	Nippondenso	Holden, Suzuki




Part Number	Ignition System	Vehicle Manufacturer
GD697	Delco	Holden, Nissan




Part Number	Ignition System	Vehicle Manufacturer
GD700	Nippondenso	Holden




Part Number	Ignition System	Vehicle Manufacturer
GD702	Ducellier	Citroen, FIAT, Peugeot, Renault




Part Number	Ignition System	Vehicle Manufacturer
GD703	Ducellier	Citroen, FIAT, Renault




Part Number	Ignition System	Vehicle Manufacturer
GD705	Ducellier	Peugeot, Renault




Part Number	Ignition System	Vehicle Manufacturer
GD706	Ducellier	Citroen, Renault




Part Number	Ignition System	Vehicle Manufacturer
GD717	Ducellier	Citroen, FIAT



Part Number	Ignition System	Vehicle Manufacturer
GD719	Ducellier	Volvo



Part Number	Ignition System	Vehicle Manufacturer
GD720	Ducellier	Renault




Part Number	Ignition System	Vehicle Manufacturer
GD721	Ducellier	Citroen



Part Number	Ignition System	Vehicle Manufacturer
GD726	Ducellier	Renault



Part Number	Ignition System	Vehicle Manufacturer
GD728	Ducellier	Peugeot




Part Number	Ignition System	Vehicle Manufacturer
GD729	Ducellier	Citroen, FIAT




Ignition Distributor Caps




Part Number	Ignition System	Vehicle Manufacturer
GD731	Ducellier	Renault



Part Number	Ignition System	Vehicle Manufacturer
GD739	Ducellier	Peugeot




Part Number	Ignition System	Vehicle Manufacturer
GD769	Ducellier	Renault




Part Number	Ignition System	Vehicle Manufacturer
GD800	Nippondenso	Daihatsu, Toyota



Part Number	Ignition System	Vehicle Manufacturer
GD801	Nippondenso	Toyota



Part Number	Ignition System	Vehicle Manufacturer
GD806	Nippondenso	Toyota



Part Number	Ignition System	Vehicle Manufacturer
GD807	Nippondenso	Toyota



Part Number	Ignition System	Vehicle Manufacturer
GD808	Nippondenso	Toyota




Part Number	Ignition System	Vehicle Manufacturer
GD810	Nippondenso	Suzuki

Image not available
at time of print


Part Number	Ignition System	Vehicle Manufacturer
GD811	Nippondenso	Holden




Part Number	Ignition System	Vehicle Manufacturer
GD813	Nippondenso	Toyota



Part Number	Ignition System	Vehicle Manufacturer
GD814	Nippondenso	Suzuki




Part Number	Ignition System	Vehicle Manufacturer
GD815	Nippondenso	Toyota




Part Number	Ignition System	Vehicle Manufacturer
GD817	Nippondenso	Toyota




Part Number	Ignition System	Vehicle Manufacturer
GD819	Nippondenso	Toyota




Part Number	Ignition System	Vehicle Manufacturer
GD820	Nippondenso	Daihatsu




Part Number	Ignition System	Vehicle Manufacturer
GD826	Nippondenso	Toyota




Part Number	Ignition System	Vehicle Manufacturer
GD827	Nippondenso	Daihatsu




Part Number	Ignition System	Vehicle Manufacturer
GD828	Nippondenso	Holden, Toyota



Part Number	Ignition System	Vehicle Manufacturer
GD830	Nippondenso	Lexus




Part Number	Ignition System	Vehicle Manufacturer
GD832	Nippondenso	Toyota



Part Number	Ignition System	Vehicle Manufacturer
GD834	Nippondenso	Toyota




Part Number	Ignition System	Vehicle Manufacturer
GD835	Nippondenso	Daihatsu




Part Number	Ignition System	Vehicle Manufacturer
GD837	Nippondenso	Toyota

Ignition Distributor Caps




Part Number	Ignition System	Vehicle Manufacturer
GD838	Nippondenso	Toyota



Part Number	Ignition System	Vehicle Manufacturer
GD839	Nippondenso	Holden, Toyota



Part Number	Ignition System	Vehicle Manufacturer
GD840	Nippondenso	Holden, Toyota




Part Number	Ignition System	Vehicle Manufacturer
GD842	Nippondenso	Toyota




Part Number	Ignition System	Vehicle Manufacturer
GD902	Nippondenso	Holden, Toyota




Part Number	Ignition System	Vehicle Manufacturer
GD904	Nippondenso	Holden




Part Number	Ignition System	Vehicle Manufacturer
GD905	Nippondenso	Holden, Toyota




Part Number	Ignition System	Vehicle Manufacturer
GD906	Nippondenso	Toyota




Part Number	Ignition System	Vehicle Manufacturer
GD909	Nippondenso	Toyota



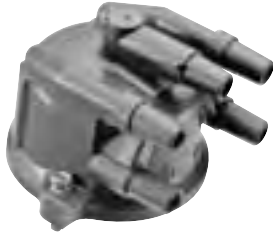
Part Number	Ignition System	Vehicle Manufacturer
GD911	Nippondenso	Toyota



Part Number	Ignition System	Vehicle Manufacturer
GD912	Nippondenso	Toyota



Part Number	Ignition System	Vehicle Manufacturer
GD914	Nippondenso	Toyota



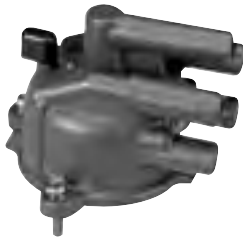
Part Number	Ignition System	Vehicle Manufacturer
GD915	Nippondenso	Toyota



Part Number	Ignition System	Vehicle Manufacturer
GD916	Nippondenso	Daihatsu

Image not available at time of print

Part Number	Ignition System	Vehicle Manufacturer
GD917	Nippondenso	Toyota



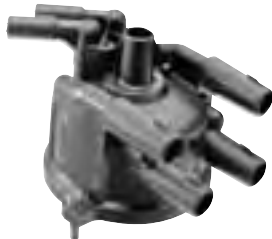
Part Number	Ignition System	Vehicle Manufacturer
GD918	Nippondenso	Holden



Part Number	Ignition System	Vehicle Manufacturer
GD919	Nippondenso	Toyota



Part Number	Ignition System	Vehicle Manufacturer
GD920	Nippondenso	Toyota



Part Number	Ignition System	Vehicle Manufacturer
GD921	Nippondenso	Toyota



Part Number	Ignition System	Vehicle Manufacturer
GD922	Nippondenso	Daihatsu



Part Number	Ignition System	Vehicle Manufacturer
GD925	Nippondenso	Daihatsu

Image not available at time of print

Part Number	Ignition System	Vehicle Manufacturer
GD926	Nippondenso	Daihatsu




Part Number	Ignition System	Vehicle Manufacturer
GD927	Nippondenso	Daihatsu



Part Number	Ignition System	Vehicle Manufacturer
GD929	Nippondenso	Toyota

Ignition Distributor Caps



Part Number	Ignition System	Vehicle Manufacturer
GD931	Nippondenso	Mazda




Part Number	Ignition System	Vehicle Manufacturer
GD933	Nippondenso	Holden




Part Number	Ignition System	Vehicle Manufacturer
GF90	Ford / Holley	Ford, International Trucks




Part Number	Ignition System	Vehicle Manufacturer
GF98	Ford / Autolite	Ford




Part Number	Ignition System	Vehicle Manufacturer
GH506	Hitachi	Chevrolet, Holden, Honda, Isuzu, Nissan, Subaru



Part Number	Ignition System	Vehicle Manufacturer
GH526	Hitachi	Nissan




Part Number	Ignition System	Vehicle Manufacturer
GH604	Hitachi	Honda, Nissan




Part Number	Ignition System	Vehicle Manufacturer
GH609	Hitachi	Honda, Nissan, Subaru




Part Number	Ignition System	Vehicle Manufacturer
GH613	Hitachi	Nissan



Part Number	Ignition System	Vehicle Manufacturer
GH615	Hitachi	Nissan




Part Number	Ignition System	Vehicle Manufacturer
GH617	Hitachi	Holden, Nissan




Part Number	Ignition System	Vehicle Manufacturer
GH618	Hitachi	Holden, Nissan




Part Number	Ignition System	Vehicle Manufacturer
GH620	Hitachi	Nissan




Part Number	Ignition System	Vehicle Manufacturer
GH622	Hitachi	Nissan




Part Number	Ignition System	Vehicle Manufacturer
GH623	Hitachi	Nissan




Part Number	Ignition System	Vehicle Manufacturer
GH628	Hitachi	Honda, Rover




Part Number	Ignition System	Vehicle Manufacturer
GH629	Hitachi	Honda




Part Number	Ignition System	Vehicle Manufacturer
GH633	Hitachi	Nissan




Part Number	Ignition System	Vehicle Manufacturer
GH635	Hitachi	Honda, Rover




Part Number	Ignition System	Vehicle Manufacturer
GH639	Hitachi	Honda, Rover




Part Number	Ignition System	Vehicle Manufacturer
GH641	Hitachi	Honda



Part Number	Ignition System	Vehicle Manufacturer
GH650	Hitachi	Honda




Part Number	Ignition System	Vehicle Manufacturer
GH653	Hitachi	Honda, Rover




Part Number	Ignition System	Vehicle Manufacturer
GH654	Hitachi	Nissan




Ignition Distributor Caps




Part Number	Ignition System	Vehicle Manufacturer
GH655	Hitachi	Honda




Part Number	Ignition System	Vehicle Manufacturer
GH661	Hitachi	Nissan




Part Number	Ignition System	Vehicle Manufacturer
GH666	Hitachi	Honda



Part Number	Ignition System	Vehicle Manufacturer
GH669	Hitachi	Nissan




Part Number	Ignition System	Vehicle Manufacturer
GH676	Hitachi	Honda




Part Number	Ignition System	Vehicle Manufacturer
GH678	Hitachi	Nissan

Image not available
at time of print


Part Number	Ignition System	Vehicle Manufacturer
GH800	Hitachi	Nissan




Part Number	Ignition System	Vehicle Manufacturer
GH801	Hitachi	Nissan




Part Number	Ignition System	Vehicle Manufacturer
GH803	Hitachi	Nissan




Part Number	Ignition System	Vehicle Manufacturer
GH804	Mitsubishi	Nissan




Part Number	Ignition System	Vehicle Manufacturer
GH806	Hitachi	Honda




Part Number	Ignition System	Vehicle Manufacturer
GH807	Hitachi	Honda



Part Number	Ignition System	Vehicle Manufacturer
GH812	Hitachi	Nissan



Part Number	Ignition System	Vehicle Manufacturer
GH814	Hitachi	Honda



Part Number	Ignition System	Vehicle Manufacturer
GH816	Hitachi	Honda

Image not available at time of print


Part Number	Ignition System	Vehicle Manufacturer
GH818	Hitachi	Nissan




Part Number	Ignition System	Vehicle Manufacturer
GL91	Lucas	Ford




Part Number	Ignition System	Vehicle Manufacturer
GL268	Lucas	Austin, Austin-Healey, Hillman, MG, Morris, Wolseley




Part Number	Ignition System	Vehicle Manufacturer
GL109	Lucas	Landrover, Leyland, MG, Triumph




Part Number	Ignition System	Vehicle Manufacturer
GL212	Lucas	Jaguar, Landrover, Triumph




Part Number	Ignition System	Vehicle Manufacturer
GL269	Lucas	Austin, Bedford, Holden, Leyland, Triumph



Part Number	Ignition System	Vehicle Manufacturer
GL270	Lucas	Austin-Healey, Landrover, Rover



Part Number	Ignition System	Vehicle Manufacturer
GL274	Lucas	Jaguar, Landrover, Triumph



Part Number	Ignition System	Vehicle Manufacturer
GL276	Lucas	Landrover, Leyland, MG, Morris, Rover

Ignition Distributor Caps



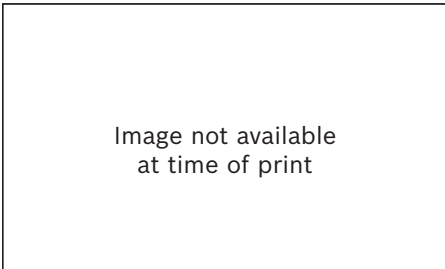
Part Number	Ignition System	Vehicle Manufacturer
GL278	Lucas	Austin, Ford, Leyland, Morris, Nissan, Toyota



Part Number	Ignition System	Vehicle Manufacturer
GL665	Lucas	Chrysler, Dodge, Landrover, Leyland, MG, Range Rover, Rover, Triumph



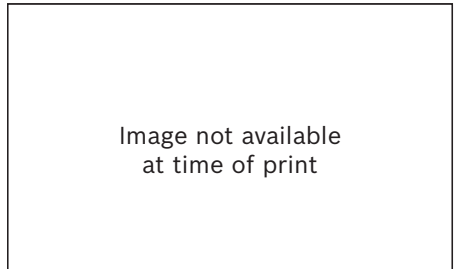
Part Number	Ignition System	Vehicle Manufacturer
GL838	Lucas	Jaguar, Triumph



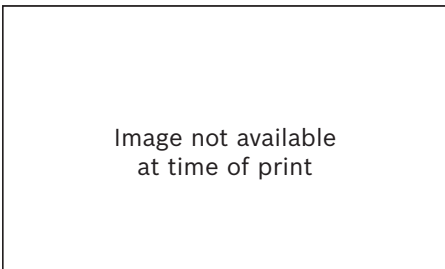
Part Number	Ignition System	Vehicle Manufacturer
GL839	Lucas	Jaguar



Part Number	Ignition System	Vehicle Manufacturer
GL924	Lucas	Land Rover, Range Rover



Part Number	Ignition System	Vehicle Manufacturer
GL965	Lucas	Holden



Part Number	Ignition System	Vehicle Manufacturer
GL966	Lucas	Landrover



Part Number	Ignition System	Vehicle Manufacturer
GM251	Mallory	Mallory Aftermarket Distributor



Part Number	Ignition System	Vehicle Manufacturer
GM347	Mitsubishi	Chrysler, Ford, Mazda, Mitsubishi




Part Number	Ignition System	Vehicle Manufacturer
GM532	Mitsubishi	Mazda




Part Number	Ignition System	Vehicle Manufacturer
GM536	Mitsubishi	Chrysler




Part Number	Ignition System	Vehicle Manufacturer
GM548	Mitsubishi	Mitsubishi




Part Number	Ignition System	Vehicle Manufacturer
GM554	Mitsubishi	Ford, Mazda, Mitsubishi




Part Number	Ignition System	Vehicle Manufacturer
GM557	Mitsubishi	Ford, Hyundai, Mazda, Mitsubishi




Part Number	Ignition System	Vehicle Manufacturer
GM558	Mitsubishi	Mazda



Part Number	Ignition System	Vehicle Manufacturer
GM561	Mitsubishi	Ford, Mazda, Suzuki




Part Number	Ignition System	Vehicle Manufacturer
GM563	Mitsubishi	Ford, Mazda




Part Number	Ignition System	Vehicle Manufacturer
GM569	Mitsubishi	Ford




Part Number	Ignition System	Vehicle Manufacturer
GM571	Mitsubishi	Mitsubishi



Part Number	Ignition System	Vehicle Manufacturer
GM573	Mitsubishi	Ford, Mazda




Part Number	Ignition System	Vehicle Manufacturer
GM575	Mitsubishi	Ford, Mazda



Part Number	Ignition System	Vehicle Manufacturer
GM578	Mitsubishi	Ford, Mazda




Part Number	Ignition System	Vehicle Manufacturer
GM580	Mitsubishi	Ford, Mazda




Part Number	Ignition System	Vehicle Manufacturer
GM583	Mitsubishi	Mazda




Ignition Distributor Caps




Part Number	Ignition System	Vehicle Manufacturer
GM584	Mitsubishi	Mitsubishi




Part Number	Ignition System	Vehicle Manufacturer
GM585	Mitsubishi	Mitsubishi, Proton




Part Number	Ignition System	Vehicle Manufacturer
GM586	Mitsubishi	Mazda




Part Number	Ignition System	Vehicle Manufacturer
GM589	Mitsubishi	Mazda




Part Number	Ignition System	Vehicle Manufacturer
GM590	Mitsubishi	Ford, Mazda



Part Number	Ignition System	Vehicle Manufacturer
GM596	Mitsubishi	Hyundai




Part Number	Ignition System	Vehicle Manufacturer
GM702	Marelli	Citroen, FIAT




Part Number	Ignition System	Vehicle Manufacturer
GM707	Marelli	FIAT




Part Number	Ignition System	Vehicle Manufacturer
GM713	Marelli	FIAT




Part Number	Ignition System	Vehicle Manufacturer
GM729	Marelli	FIAT



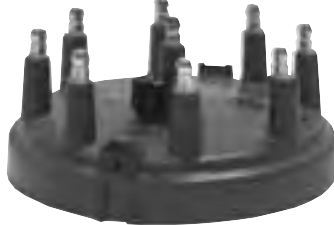
Part Number	Ignition System	Vehicle Manufacturer
GM759	Marelli	FIAT



Part Number	Ignition System	Vehicle Manufacturer
GM803	Motorcraft	Ford




Part Number	Ignition System	Vehicle Manufacturer
GM804	Motorcraft	Jeep




Part Number	Ignition System	Vehicle Manufacturer
GM805	Motorcraft	Ford



Part Number	Ignition System	Vehicle Manufacturer
GM807	Mitsubishi	Mitsubishi, Proton




Part Number	Ignition System	Vehicle Manufacturer
GM810	Mitsubishi	Ford, Nissan




Part Number	Ignition System	Vehicle Manufacturer
GM813	Mitsubishi	Holden, Nissan

Image not available at time of print


Part Number	Ignition System	Vehicle Manufacturer
GM815	Mitsubishi	Ford, Mazda




Part Number	Ignition System	Vehicle Manufacturer
GM817	Mitsubishi	Ford, Mazda




Part Number	Ignition System	Vehicle Manufacturer
GM823	Mitsubishi	Mazda, Mitsubishi, Nissan




Part Number	Ignition System	Vehicle Manufacturer
GM825	Mitsubishi	Nissan



Part Number	Ignition System	Vehicle Manufacturer
GM827	Mitsubishi	Mitsubishi, Proton




Part Number	Ignition System	Vehicle Manufacturer
GM828	Mitsubishi	Mitsubishi




Part Number	Ignition System	Vehicle Manufacturer
GM830	Mitsubishi	Mitsubishi

Ignition Distributor Caps




Part Number	Ignition System	Vehicle Manufacturer
GM832	Mitsubishi	Ford, Mazda




Part Number	Ignition System	Vehicle Manufacturer
GM836	Mitsubishi	Mazda




Part Number	Ignition System	Vehicle Manufacturer
GM839	Mitsubishi	Ford




Part Number	Ignition System	Vehicle Manufacturer
GM842	Mitsubishi	Ford, Nissan




Part Number	Ignition System	Vehicle Manufacturer
GM843	Mitsubishi	Suzuki




Part Number	Ignition System	Vehicle Manufacturer
GM845	Mitsubishi	Mitsubishi, Proton




Part Number	Ignition System	Vehicle Manufacturer
GM847	Mitsubishi	Ford




Part Number	Ignition System	Vehicle Manufacturer
GM848	Mitsubishi	Mitsubishi




Part Number	Ignition System	Vehicle Manufacturer
GM850	Mitsubishi	Mitsubishi



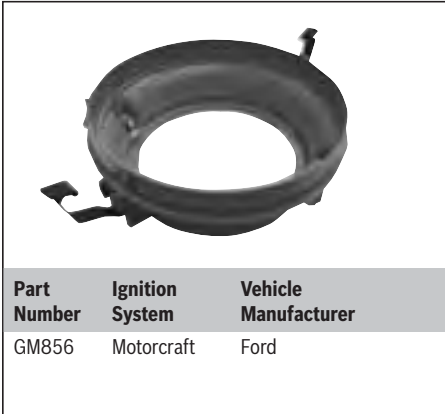
Part Number	Ignition System	Vehicle Manufacturer
GM851	Mitsubishi	Nissan



Part Number	Ignition System	Vehicle Manufacturer
GM853	Mitsubishi	Nissan




Part Number	Ignition System	Vehicle Manufacturer
GM855	Mitsubishi	Mitsubishi



Ignition Rotors



Part Number	Ignition System	Vehicle Manufacturer
GA77	Autolite	Ford




Part Number	Ignition System	Vehicle Manufacturer
GA104	Autolite	Chrysler, Dodge

Image not available at time of print


Part Number	Ignition System	Vehicle Manufacturer
GA106	Autolite	International Trucks



Part Number	Ignition System	Vehicle Manufacturer
GA202	Accel	Accel Aftermarket Distributor




Part Number	Ignition System	Vehicle Manufacturer
GB73	Bosch	Bedford, Chrysler, Dodge, Holden, Toyota




Part Number	Ignition System	Vehicle Manufacturer
GB225	Bosch	Volkswagen




Part Number	Ignition System	Vehicle Manufacturer
GB502	Bosch	Chrysler, Dodge, Ford, Holden, Mitsubishi




Part Number	Ignition System	Vehicle Manufacturer
GB524	Bosch	Peugeot, Volkswagen




Part Number	Ignition System	Vehicle Manufacturer
GB536	Bosch	Chrysler, Dodge, Ford, Holden



Part Number	Ignition System	Vehicle Manufacturer
GB603	Bosch	Ford, Porsche, Volkswagen



Part Number	Ignition System	Vehicle Manufacturer
GB608	Bosch	Porsche




Part Number	Ignition System	Vehicle Manufacturer
GB726	Bosch	Porsche




Part Number	Ignition System	Vehicle Manufacturer
GB729	Bosch	Mercedes-Benz




Part Number	Ignition System	Vehicle Manufacturer
GB737	Bosch	Porsche




Part Number	Ignition System	Vehicle Manufacturer
GB747	Bosch	Mercedes-Benz, Volvo



Part Number	Ignition System	Vehicle Manufacturer
GB757	Bosch	Volkswagen




Part Number	Ignition System	Vehicle Manufacturer
GB778	Bosch	Mercedes-Benz




Part Number	Ignition System	Vehicle Manufacturer
GB779	Bosch	Mercedes-Benz




Part Number	Ignition System	Vehicle Manufacturer
GB780	Bosch	Mercedes-Benz



Part Number	Ignition System	Vehicle Manufacturer
GB782	Bosch	Alfa-Romeo, Audi, Ford, Holden, Lancia, Mercedes-Benz, Porsche, SAAB, Volvo, Volkswagen




Part Number	Ignition System	Vehicle Manufacturer
GB786	Bosch	Ford



Part Number	Ignition System	Vehicle Manufacturer
GB787	Bosch	Ford, Mitsubishi, Nissan, Toyota




Part Number	Ignition System	Vehicle Manufacturer
GB792	Bosch	Volkswagen




Part Number	Ignition System	Vehicle Manufacturer
GB793	Bosch	BMW




Ignition Rotors




Part Number	Ignition System	Vehicle Manufacturer
GB795	Bosch	SAAB




Part Number	Ignition System	Vehicle Manufacturer
GB827	Bosch	Holden




Part Number	Ignition System	Vehicle Manufacturer
GB828	Bosch	Holden




Part Number	Ignition System	Vehicle Manufacturer
GB838	Bosch	Citroen, Holden, Peugeot, SAAB




Part Number	Ignition System	Vehicle Manufacturer
GB840	Bosch	BMW




Part Number	Ignition System	Vehicle Manufacturer
GB842	Bosch	Alfa-Romeo, Mercedes-Benz, Porsche, Volvo




Part Number	Ignition System	Vehicle Manufacturer
GB844	Bosch	BMW




Part Number	Ignition System	Vehicle Manufacturer
GB846	Bosch	Porsche




Part Number	Ignition System	Vehicle Manufacturer
GB847	Bosch	Porsche




Part Number	Ignition System	Vehicle Manufacturer
GB849	Bosch	Audi




Part Number	Ignition System	Vehicle Manufacturer
GB850	Bosch	Audi




Part Number	Ignition System	Vehicle Manufacturer
GB851	Bosch	Ford, Mitsubishi, Nissan, Toyota




Part Number	Ignition System	Vehicle Manufacturer
GB854	Bosch	Bentley, Porsche, Rolls Royce




Part Number	Ignition System	Vehicle Manufacturer
GB855	Bosch	Alfa-Romeo




Part Number	Ignition System	Vehicle Manufacturer
GB856	Bosch	Holden



Part Number	Ignition System	Vehicle Manufacturer
GB858	Bosch	Alfa-Romeo



Part Number	Ignition System	Vehicle Manufacturer
GB859	Bosch	Alfa-Romeo, Audi, Volkswagen




Part Number	Ignition System	Vehicle Manufacturer
GB861	Bosch	BMW, Mercedes-Benz



Part Number	Ignition System	Vehicle Manufacturer
GB864	Bosch	Ford




Part Number	Ignition System	Vehicle Manufacturer
GB865	Bosch	Ford, Nissan



Part Number	Ignition System	Vehicle Manufacturer
GB867	Bosch	BMW



Part Number	Ignition System	Vehicle Manufacturer
GB868	Bosch	Alfa-Romeo




Part Number	Ignition System	Vehicle Manufacturer
GB869	Bosch	Mercedes-Benz, Peugeot




Part Number	Ignition System	Vehicle Manufacturer
GB873	Bosch	Ford, Nissan

Ignition Rotors




Part Number	Ignition System	Vehicle Manufacturer
GB875	Bosch	Alfa-Romeo, Porsche




Part Number	Ignition System	Vehicle Manufacturer
GB884	Bosch	Alfa-Romeo, BMW, Citroen, Peugeot, Renault, Volvo




Part Number	Ignition System	Vehicle Manufacturer
GB885	Bosch	Mitsubishi




Part Number	Ignition System	Vehicle Manufacturer
GB890	Bosch	Mercedes-Benz




Part Number	Ignition System	Vehicle Manufacturer
GB892	Bosch	Mercedes-Benz




Part Number	Ignition System	Vehicle Manufacturer
GB895	Bosch	Volvo




Part Number	Ignition System	Vehicle Manufacturer
GB897	Bosch	Volvo




Part Number	Ignition System	Vehicle Manufacturer
GB898	Bosch	Volvo




Part Number	Ignition System	Vehicle Manufacturer
GB899	Bosch	Volvo, Volkswagen




Part Number	Ignition System	Vehicle Manufacturer
GB901	Bosch	Holden, HSV




Part Number	Ignition System	Vehicle Manufacturer
GB905	Bosch	Alfa-Romeo, Porsche




Part Number	Ignition System	Vehicle Manufacturer
GB908	Bosch	Porsche




Part Number	Ignition System	Vehicle Manufacturer
GB909	Bosch	Porsche




Part Number	Ignition System	Vehicle Manufacturer
GB912	Bosch	Mercedes-Benz, SAAB



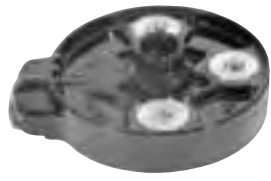
Part Number	Ignition System	Vehicle Manufacturer
GB914	Bosch	Audi, Volkswagen




Part Number	Ignition System	Vehicle Manufacturer
GB919	Bosch	BMW



Part Number	Ignition System	Vehicle Manufacturer
GB922	Bosch	BMW




Part Number	Ignition System	Vehicle Manufacturer
GB925	Bosch	Mercedes-Benz




Part Number	Ignition System	Vehicle Manufacturer
GB928	Bosch	Holden




Part Number	Ignition System	Vehicle Manufacturer
GB929	Bosch	Alfa-Romeo, SAAB




Part Number	Ignition System	Vehicle Manufacturer
GB935	Bosch	Mercedes-Benz



Part Number	Ignition System	Vehicle Manufacturer
GB939	Bosch	Citroen, Peugeot




Part Number	Ignition System	Vehicle Manufacturer
GB944	Bosch	Mercedes-Benz




Part Number	Ignition System	Vehicle Manufacturer
GB949	Bosch	Porsche


Ignition Rotors




Part Number	Ignition System	Vehicle Manufacturer
GB951	Bosch	Porsche




Part Number	Ignition System	Vehicle Manufacturer
GB954	Bosch	Volvo




Part Number	Ignition System	Vehicle Manufacturer
GB959	Bosch	BMW




Part Number	Ignition System	Vehicle Manufacturer
GB967	Bosch	Mercedes-Benz




Part Number	Ignition System	Vehicle Manufacturer
GB968	Bosch	Mercedes-Benz




Part Number	Ignition System	Vehicle Manufacturer
GB984	Bosch	Porsche




Part Number	Ignition System	Vehicle Manufacturer
GB994	Bosch	SAAB




Part Number	Ignition System	Vehicle Manufacturer
GB1003	Bosch	Porsche




Part Number	Ignition System	Vehicle Manufacturer
GD69	Delco	Bedford, Holden, Triumph




Part Number	Ignition System	Vehicle Manufacturer
GD85	Delco	Bedford, Holden, Triumph



Part Number	Ignition System	Vehicle Manufacturer
GD507	Nippondenso	Toyota




Part Number	Ignition System	Vehicle Manufacturer
GD515	Nippondenso	Toyota



Part Number	Ignition System	Vehicle Manufacturer
GD527	Nippondenso	Daihatsu, Holden, Isuzu, Subaru, Suzuki, Toyota

Image not available at time of print


Part Number	Ignition System	Vehicle Manufacturer
GD651	Delco	Chevrolet




Part Number	Ignition System	Vehicle Manufacturer
GD659	Delco	Buick, Chevrolet, Holden, Jeep, Pontiac, Rambler AMC




Part Number	Ignition System	Vehicle Manufacturer
GD663	Delco	Holden



Part Number	Ignition System	Vehicle Manufacturer
GD669	Delco	Bedford, Chevrolet, Jeep



Part Number	Ignition System	Vehicle Manufacturer
GD670	Delco	Chevrolet




Part Number	Ignition System	Vehicle Manufacturer
GD671	Delco	Chevrolet




Part Number	Ignition System	Vehicle Manufacturer
GD683	Nippondenso	Toyota




Part Number	Ignition System	Vehicle Manufacturer
GD686	Nippondenso	Toyota



Part Number	Ignition System	Vehicle Manufacturer
GD688	Nippondenso	Holden, Toyota




Part Number	Ignition System	Vehicle Manufacturer
GD689	Nippondenso	Daihatsu, Toyota




Part Number	Ignition System	Vehicle Manufacturer
GD696	Nippondenso	Daihatsu, Holden, Suzuki

Ignition Rotors



Part Number	Ignition System	Vehicle Manufacturer
GD698	Delco	Daewoo, Holden, Nissan




Part Number	Ignition System	Vehicle Manufacturer
GD704	Ducellier	Citroen, Peugeot, Renault




Part Number	Ignition System	Vehicle Manufacturer
GD727	Ducellier	Peugeot



Part Number	Ignition System	Vehicle Manufacturer
GD737	Ducellier	Alfa-Romeo



Part Number	Ignition System	Vehicle Manufacturer
GD738	Ducellier	Citroen, Renault




Part Number	Ignition System	Vehicle Manufacturer
GD740	Ducellier	Citroen, Peugeot, Renault




Part Number	Ignition System	Vehicle Manufacturer
GD799	Ducellier	Chrysler



Part Number	Ignition System	Vehicle Manufacturer
GD802	Nippondenso	Toyota




Part Number	Ignition System	Vehicle Manufacturer
GD804	Nippondenso	Holden, Toyota




Part Number	Ignition System	Vehicle Manufacturer
GD809	Nippondenso	Toyota




Part Number	Ignition System	Vehicle Manufacturer
GD812	Nippondenso	Holden




Part Number	Ignition System	Vehicle Manufacturer
GD816	Nippondenso	Toyota



Part Number	Ignition System	Vehicle Manufacturer
GD829	Nippondenso	Toyota




Part Number	Ignition System	Vehicle Manufacturer
GD831	Nippondenso	Lexus




Part Number	Ignition System	Vehicle Manufacturer
GD833	Nippondenso	Holden, Toyota



Part Number	Ignition System	Vehicle Manufacturer
GD907	Nippondenso	Toyota



Part Number	Ignition System	Vehicle Manufacturer
GD908	Nippondenso	Suzuki



Part Number	Ignition System	Vehicle Manufacturer
GD910	Nippondenso	Toyota




Part Number	Ignition System	Vehicle Manufacturer
GD913	Nippondenso	Toyota




Part Number	Ignition System	Vehicle Manufacturer
GD923	Nippondenso	Daihatsu

Image not available at time of print


Part Number	Ignition System	Vehicle Manufacturer
GD928	Nippondenso	Daihatsu



Part Number	Ignition System	Vehicle Manufacturer
GD932	Nippondenso	Mazda




Part Number	Ignition System	Vehicle Manufacturer
GD937	Nippondenso	Daihatsu




Part Number	Ignition System	Vehicle Manufacturer
GF75	Ford / Holley	Ford



Ignition Rotors




Part Number	Ignition System	Vehicle Manufacturer
GH600	Hitachi	Chevrolet, Holden, Honda, Nissan, Subaru




Part Number	Ignition System	Vehicle Manufacturer
GH605	Hitachi	Holden, Honda, Nissan



Part Number	Ignition System	Vehicle Manufacturer
GH614	Hitachi	Nissan




Part Number	Ignition System	Vehicle Manufacturer
GH616	Hitachi	Nissan




Part Number	Ignition System	Vehicle Manufacturer
GH619	Hitachi	Holden, Nissan



Part Number	Ignition System	Vehicle Manufacturer
GH621	Hitachi	Nissan




Part Number	Ignition System	Vehicle Manufacturer
GH631	Hitachi	Honda, Rover



Part Number	Ignition System	Vehicle Manufacturer
GH632	Hitachi	Rover



Part Number	Ignition System	Vehicle Manufacturer
GH640	Hitachi	Honda, Rover




Part Number	Ignition System	Vehicle Manufacturer
GH642	Hitachi	Honda




Part Number	Ignition System	Vehicle Manufacturer
GH643	Hitachi	Nissan




Part Number	Ignition System	Vehicle Manufacturer
GH651	Hitachi	Nissan



Part Number	Ignition System	Vehicle Manufacturer
GH658	Hitachi	Honda



Part Number	Ignition System	Vehicle Manufacturer
GH663	Hitachi	Nissan




Part Number	Ignition System	Vehicle Manufacturer
GH664	Hitachi	Nissan



Part Number	Ignition System	Vehicle Manufacturer
GH670	Mitsubishi	Nissan



Part Number	Ignition System	Vehicle Manufacturer
GH673	Hitachi	Ford, Nissan




Part Number	Ignition System	Vehicle Manufacturer
GH674	Hitachi	Nissan



Part Number	Ignition System	Vehicle Manufacturer
GH675	Hitachi	Nissan



Part Number	Ignition System	Vehicle Manufacturer
GH679	Hitachi	Suzuki




Part Number	Ignition System	Vehicle Manufacturer
GH802	Hitachi	Nissan



Part Number	Ignition System	Vehicle Manufacturer
GH805	Mitsubishi	Nissan, Suzuki



Part Number	Ignition System	Vehicle Manufacturer
GH808	Hitachi	Nissan




Part Number	Ignition System	Vehicle Manufacturer
GH811	Hitachi	Nissan


Ignition Rotors




Part Number	Ignition System	Vehicle Manufacturer
GH813	Hitachi	Nissan




Part Number	Ignition System	Vehicle Manufacturer
GH815	Hitachi	Honda




Part Number	Ignition System	Vehicle Manufacturer
GH817	Hitachi	Honda



Part Number	Ignition System	Vehicle Manufacturer
GL74	Lucas	Ford



Part Number	Ignition System	Vehicle Manufacturer
GL140	Lucas	Jaguar



Part Number	Ignition System	Vehicle Manufacturer
GL195	Lucas	Land Rover, Rover




Part Number	Ignition System	Vehicle Manufacturer
GL229	Lucas	Austin Healey, Austin, Leyland, MG, Morris, Rover, Triumph, Wolseley




Part Number	Ignition System	Vehicle Manufacturer
GL254	Lucas	Austin Healey, Austin, Leyland



Part Number	Ignition System	Vehicle Manufacturer
GL256	Lucas	Austin Healey, Austin, Bedford, Ford, Leyland, Morris, Holden, Nissan, Toyota, Triumph




Part Number	Ignition System	Vehicle Manufacturer
GL803	Lucas	Jaguar, Leyland, MG, Triumph



Part Number	Ignition System	Vehicle Manufacturer
GL854	Lucas	Chrysler, Dodge, Land Rover, Leyland, Rover, Triumph




Part Number	Ignition System	Vehicle Manufacturer
GL958	Lucas	Holden




Part Number	Ignition System	Vehicle Manufacturer
GL960	Lucas	Land Rover




Part Number	Ignition System	Vehicle Manufacturer
GM252	Mallory	Mallory Aftermarket Distributor




Part Number	Ignition System	Vehicle Manufacturer
GM253	Mallory	Mallory Aftermarket Distributor




Part Number	Ignition System	Vehicle Manufacturer
GM517	Mitsubishi	Chrysler, Isuzu, Mitsubishi




Part Number	Ignition System	Vehicle Manufacturer
GM521	Mitsubishi	Mazda




Part Number	Ignition System	Vehicle Manufacturer
GM525	Mitsubishi	Mazda




Part Number	Ignition System	Vehicle Manufacturer
GM533	Mitsubishi	Chrysler, Ford, Hyundai, Mazda, Mitsubishi, Nissan




Part Number	Ignition System	Vehicle Manufacturer
GM549	Mitsubishi	Mitsubishi



Part Number	Ignition System	Vehicle Manufacturer
GM555	Mitsubishi	Ford, Mazda, Mitsubishi



Part Number	Ignition System	Vehicle Manufacturer
GM559	Mitsubishi	Mazda



Part Number	Ignition System	Vehicle Manufacturer
GM562	Mitsubishi	Ford, Holden, Mazda, Suzuki



Part Number	Ignition System	Vehicle Manufacturer
GM564	Mitsubishi	Ford, Mazda

Ignition Rotors




Part Number	Ignition System	Vehicle Manufacturer
GM572	Mitsubishi	Hyundai, Mitsubishi




Part Number	Ignition System	Vehicle Manufacturer
GM574	Mitsubishi	Ford, Mazda



Part Number	Ignition System	Vehicle Manufacturer
GM576	Mitsubishi	Ford, Mazda, Mitsubishi, Proton




Part Number	Ignition System	Vehicle Manufacturer
GM579	Mitsubishi	Ford, Mazda




Part Number	Ignition System	Vehicle Manufacturer
GM581	Mitsubishi	Mazda




Part Number	Ignition System	Vehicle Manufacturer
GM582	Mitsubishi	Mazda




Part Number	Ignition System	Vehicle Manufacturer
GM591	Mitsubishi	Hyundai, Mitsubishi




Part Number	Ignition System	Vehicle Manufacturer
GM592	Mitsubishi	Mazda




Part Number	Ignition System	Vehicle Manufacturer
GM700	Marelli	Citroen, FIAT




Part Number	Ignition System	Vehicle Manufacturer
GM708	Marelli	FIAT




Part Number	Ignition System	Vehicle Manufacturer
GM727	Marelli	FIAT



Part Number	Ignition System	Vehicle Manufacturer
GM746	Marelli	FIAT



Part Number	Ignition System	Vehicle Manufacturer
GM801	Motorcraft	Jeep




Part Number	Ignition System	Vehicle Manufacturer
GM806	Motorcraft	Ford



Part Number	Ignition System	Vehicle Manufacturer
GM811	Mitsubishi	Ford, Nissan



Part Number	Ignition System	Vehicle Manufacturer
GM812	Mitsubishi	Nissan



Part Number	Ignition System	Vehicle Manufacturer
GM814	Mitsubishi	Holden, Nissan




Part Number	Ignition System	Vehicle Manufacturer
GM816	Mitsubishi	Ford, Mazda



Part Number	Ignition System	Vehicle Manufacturer
GM818	Mitsubishi	Ford, Mazda




Part Number	Ignition System	Vehicle Manufacturer
GM820	Mitsubishi	Ford, Kia




Part Number	Ignition System	Vehicle Manufacturer
GM822	Mitsubishi	Holden



Part Number	Ignition System	Vehicle Manufacturer
GM824	Mitsubishi	Hyundai, Mazda, Mitsubishi, Nissan



Part Number	Ignition System	Vehicle Manufacturer
GM829	Mitsubishi	Mitsubishi



Part Number	Ignition System	Vehicle Manufacturer
GM831	Mitsubishi	Mitsubishi



Ignition Rotors




Part Number	Ignition System	Vehicle Manufacturer
GM833	Mitsubishi	Ford



Part Number	Ignition System	Vehicle Manufacturer
GM834	Mitsubishi	Ford, Mazda



Part Number	Ignition System	Vehicle Manufacturer
GM835	Mitsubishi	Eunos, Mazda



Part Number	Ignition System	Vehicle Manufacturer
GM837	Mitsubishi	Ford, Mazda, Nissan



Part Number	Ignition System	Vehicle Manufacturer
GM838	Mitsubishi	Ford, Mazda




Part Number	Ignition System	Vehicle Manufacturer
GM840	Mitsubishi	Ford




Part Number	Ignition System	Vehicle Manufacturer
GM841	Hitachi	Nissan

Image not available at time of print

Part Number	Ignition System	Vehicle Manufacturer
GM844	Mitsubishi	Mitsubishi, Proton




Part Number	Ignition System	Vehicle Manufacturer
GM846	Mitsubishi	Mitsubishi, Proton



Part Number	Ignition System	Vehicle Manufacturer
GM849	Mitsubishi	Mitsubishi



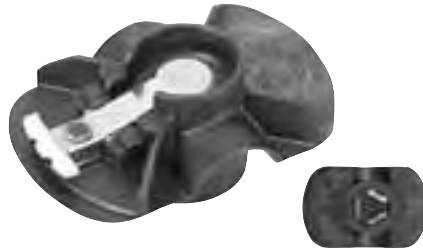
Part Number	Ignition System	Vehicle Manufacturer
GM852	Mitsubishi	Nissan



Part Number	Ignition System	Vehicle Manufacturer
GM854	Mitsubishi	Nissan

Image not available
at time of print

Part Number	Ignition System	Vehicle Manufacturer
GM858	Motorcraft	Jeep



Part Number	Ignition System	Vehicle Manufacturer
GM859	Mitsubishi	Mitsubishi



Part Number	Ignition System	Vehicle Manufacturer
GM861	Mitsubishi	Mazda




Part Number	Ignition System	Vehicle Manufacturer
GU703	UDSSR	Lada




Part Number	Ignition System	Vehicle Manufacturer
GU705	UDSSR	Lada




Ignition Contact Sets




Part Number	Ignition System	Vehicle Manufacturer
GA83V	Autolite	Ford




Part Number	Ignition System	Vehicle Manufacturer
GB6	Bosch	Mercedes-Benz, Porsche




Part Number	Ignition System	Vehicle Manufacturer
GB185	Bosch	Mercedes-Benz




Part Number	Ignition System	Vehicle Manufacturer
GB504	Bosch	Holden, Volkswagen




Part Number	Ignition System	Vehicle Manufacturer
GB516	Bosch	Volkswagen




Part Number	Ignition System	Vehicle Manufacturer
GB527	Bosch	International




Part Number	Ignition System	Vehicle Manufacturer
GB529	Bosch	Chrysler, Dodge, Ford, Volkswagen




Part Number	Ignition System	Vehicle Manufacturer
GB534	Bosch	Alfa-Romeo, Audi, Bedford, BMW, Chrysler, Citroen, Dodge, Ford, Holden, Mitsubishi, Porsche, Toyota, Volkswagen




Part Number	Ignition System	Vehicle Manufacturer
GB549	Bosch	Peugeot




Part Number	Ignition System	Vehicle Manufacturer
GB700	Bosch	Ford, Nissan, SAAB




Part Number	Ignition System	Vehicle Manufacturer
GB720	Bosch	Porsche




Part Number	Ignition System	Vehicle Manufacturer
GB721	Bosch	Volvo




Part Number	Ignition System	Vehicle Manufacturer
GB751	Bosch	Porsche




Part Number	Ignition System	Vehicle Manufacturer
GB752	Bosch	Chrysler, Holden, Volvo




Part Number	Ignition System	Vehicle Manufacturer
GB769	Bosch	Mercedes-Benz




Part Number	Ignition System	Vehicle Manufacturer
GB770	Bosch	BMW, Mercedes-Benz, Porsche




Part Number	Ignition System	Vehicle Manufacturer
GB771	Bosch	Volvo




Part Number	Ignition System	Vehicle Manufacturer
GB772	Bosch	Mercedes-Benz, Volvo




Part Number	Ignition System	Vehicle Manufacturer
GB773	Bosch	Mercedes-Benz




Part Number	Ignition System	Vehicle Manufacturer
GB774	Bosch	Porsche



Part Number	Ignition System	Vehicle Manufacturer
GB784	Bosch	BMW



Part Number	Ignition System	Vehicle Manufacturer
GB803	Bosch	BMW




Part Number	Ignition System	Vehicle Manufacturer
GB1004	Bosch	Skoda


Image not available at time of print

Part Number	Ignition System	Vehicle Manufacturer
GD45	Delco	Chevrolet


Ignition Contact Sets




Part Number	Ignition System	Vehicle Manufacturer
GD50	Delco	Bedford, Holden, Triumph




Part Number	Ignition System	Vehicle Manufacturer
GD87	Delco	Holden




Part Number	Ignition System	Vehicle Manufacturer
GD143V	Delco	Buick, Chevrolet, Holden, Pontiac, Rambler




Part Number	Ignition System	Vehicle Manufacturer
GD202	Nippondenso	Toyota




Part Number	Ignition System	Vehicle Manufacturer
GD207	Nippondenso	Daihatsu, Holden, Mitsubishi, Suzuki, Toyota




Part Number	Ignition System	Vehicle Manufacturer
GD214	Nippondenso	Chevrolet, Holden, Isuzu, Subaru, Toyota




Part Number	Ignition System	Vehicle Manufacturer
GD501	Delco	Bedford, Chevrolet, Jeep, Rambler




Part Number	Ignition System	Vehicle Manufacturer
GD502	Delco	Bedford, Holden, Triumph




Part Number	Ignition System	Vehicle Manufacturer
GD503	Delco	Holden




Part Number	Ignition System	Vehicle Manufacturer
GD707	Ducellier	FIAT




Part Number	Ignition System	Vehicle Manufacturer
GD711	Ducellier	Citroen




Part Number	Ignition System	Vehicle Manufacturer
GD715	Ducellier	Peugeot




Part Number	Ignition System	Vehicle Manufacturer
GD733	Ducellier	Citroen, Peugeot, Renault



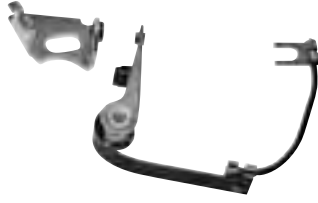
Part Number	Ignition System	Vehicle Manufacturer
GD741	Ducellier	Citroen




Part Number	Ignition System	Vehicle Manufacturer
GD791	Ducellier	Alfa-Romeo




Part Number	Ignition System	Vehicle Manufacturer
GD796	Ducellier	Renault




Part Number	Ignition System	Vehicle Manufacturer
GD797	Ducellier	Citroen




Part Number	Ignition System	Vehicle Manufacturer
GF82V	Ford / Autolite	Ford




Part Number	Ignition System	Vehicle Manufacturer
GH84V	Holley	International




Part Number	Ignition System	Vehicle Manufacturer
GH203	Hitachi	Chevrolet, Holden, Honda, Isuzu, Nissan, Subaru



Part Number	Ignition System	Vehicle Manufacturer
GH601	Hitachi	Nissan



Part Number	Ignition System	Vehicle Manufacturer
GL14	Lucas	Austin Healey, Triumph




Part Number	Ignition System	Vehicle Manufacturer
GL19	Lucas	Austin Healey, Austin, Bedford, Ford, Hillman, Jaguar, Jensen, Leyland, Lotus, MG, Morris, Nissan, Rover, Toyota, Triumph, Wolseley


Image not available at time of print

Part Number	Ignition System	Vehicle Manufacturer
GL19V	Lucas	Austin Healey, Austin, Ford, Holden, Leyland, MG, Morris, Triumph, Wolseley


Ignition Contact Sets




Part Number	Ignition System	Vehicle Manufacturer
GL27V	Lucas	Chrysler, Dodge, Leyland




Part Number	Ignition System	Vehicle Manufacturer
GL63	Lucas	Rover




Part Number	Ignition System	Vehicle Manufacturer
GL80V	Lucas	Ford




Part Number	Ignition System	Vehicle Manufacturer
GL190	Lucas	Leyland




Part Number	Ignition System	Vehicle Manufacturer
GL494	Lucas	Rover




Part Number	Ignition System	Vehicle Manufacturer
GL769	Lucas	Leyland, MG, Triumph




Part Number	Ignition System	Vehicle Manufacturer
GM206	Mitsubishi	Mazda




Part Number	Ignition System	Vehicle Manufacturer
GM208	Mitsubishi	Mazda




Part Number	Ignition System	Vehicle Manufacturer
GM210	Mitsubishi	Chrysler




Part Number	Ignition System	Vehicle Manufacturer
GM216	Mitsubishi	Chrysler, Mazda, Mitsubishi




Part Number	Ignition System	Vehicle Manufacturer
GM217	Mitsubishi	Mazda, Nissan




Part Number	Ignition System	Vehicle Manufacturer
GM254	Mallory	Mallory Aftermarket Distributor




Part Number	Ignition System	Vehicle Manufacturer
GM543	Mitsubishi	Ford, Mazda, Mitsubishi




Part Number	Ignition System	Vehicle Manufacturer
GM735	Marelli	Citroen




Part Number	Ignition System	Vehicle Manufacturer
GM736	Marelli	FIAT




Part Number	Ignition System	Vehicle Manufacturer
GM752	Marelli	FIAT




Part Number	Ignition System	Vehicle Manufacturer
GM756	Marelli	FIAT




Part Number	Ignition System	Vehicle Manufacturer
GM763	Marelli	FIAT, Renault



Part Number	Ignition System	Vehicle Manufacturer
GS104	SEV Marchal	Citroen




Part Number	Ignition System	Vehicle Manufacturer
GS137V	SEV Marchal	Peugeot




Part Number	Ignition System	Vehicle Manufacturer
GU700	UDSSR	Lada




Ignition Condensors




Part Number	Ignition System	Vehicle Manufacturer
GA60	Autolite	Chrysler, Dodge




Part Number	Ignition System	Vehicle Manufacturer
GA61	Autolite	Ford




Part Number	Ignition System	Vehicle Manufacturer
GB60	Bosch	Volkswagen




Part Number	Ignition System	Vehicle Manufacturer
GB61	Bosch	Holden, Mercedes-Benz




Part Number	Ignition System	Vehicle Manufacturer
GB295	Bosch	Volkswagen




Part Number	Ignition System	Vehicle Manufacturer
GB503	Bosch	Holden, Mercedes-Benz




Part Number	Ignition System	Vehicle Manufacturer
GB505	Bosch	Mercedes-Benz, Porsche




Part Number	Ignition System	Vehicle Manufacturer
GB512	Bosch	Volkswagen




Part Number	Ignition System	Vehicle Manufacturer
GB522	Bosch	Chrysler, Dodge




Part Number	Ignition System	Vehicle Manufacturer
GB528	Bosch	International Trucks



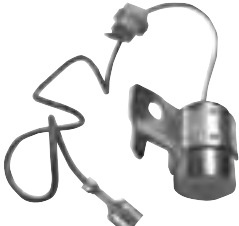
Part Number	Ignition System	Vehicle Manufacturer
GB530	Bosch	Ford




Part Number	Ignition System	Vehicle Manufacturer
GB538	Bosch	Chrysler, Dodge, Holden




Part Number	Ignition System	Vehicle Manufacturer
GB701	Bosch	Ford




Part Number	Ignition System	Vehicle Manufacturer
GB706	Bosch	Bedford




Part Number	Ignition System	Vehicle Manufacturer
GB709	Bosch	Toyota




Part Number	Ignition System	Vehicle Manufacturer
GB712	Bosch	Chrysler




Part Number	Ignition System	Vehicle Manufacturer
GB715	Bosch	Volkswagen




Part Number	Ignition System	Vehicle Manufacturer
GB722	Bosch	Volvo




Part Number	Ignition System	Vehicle Manufacturer
GB724	Bosch	Citroen




Part Number	Ignition System	Vehicle Manufacturer
GB727	Bosch	Volvo




Part Number	Ignition System	Vehicle Manufacturer
GB735	Bosch	Volvo



Part Number	Ignition System	Vehicle Manufacturer
GB753	Bosch	Toyota, Volvo




Part Number	Ignition System	Vehicle Manufacturer
GB761	Bosch	Mercedes-Benz




Part Number	Ignition System	Vehicle Manufacturer
GB764	Bosch	Volvo




Ignition Condensors




Part Number	Ignition System	Vehicle Manufacturer
GB765	Bosch	Alfa-Romeo




Part Number	Ignition System	Vehicle Manufacturer
GB766	Bosch	SAAB




Part Number	Ignition System	Vehicle Manufacturer
GB805	Bosch	BMW




Part Number	Ignition System	Vehicle Manufacturer
GB809	Bosch	Ford




Part Number	Ignition System	Vehicle Manufacturer
GB811	Bosch	Alfa-Romeo, BMW




Part Number	Ignition System	Vehicle Manufacturer
GB812	Bosch	Audi, Porsche, Volkswagen




Part Number	Ignition System	Vehicle Manufacturer
GB813	Bosch	SAAB




Part Number	Ignition System	Vehicle Manufacturer
GB814	Bosch	Mercedes-Benz




Part Number	Ignition System	Vehicle Manufacturer
GB815	Bosch	Mitsubishi, Toyota




Part Number	Ignition System	Vehicle Manufacturer
GB818	Bosch	Holden




Part Number	Ignition System	Vehicle Manufacturer
GB822	Bosch	Lancia



Part Number	Ignition System	Vehicle Manufacturer
GB824	Bosch	Nissan




Part Number	Ignition System	Vehicle Manufacturer
GB877	Bosch	BMW




Part Number	Ignition System	Vehicle Manufacturer
GD10	Delco	Buick, Chevrolet, Holden, Jeep, Pontiac, Rambler




Part Number	Ignition System	Vehicle Manufacturer
GD11E	Delco	Bedford, Chevrolet, Holden, Jeep, Rambler, Triumph




Part Number	Ignition System	Vehicle Manufacturer
GD111	Nippondenso	Toyota




Part Number	Ignition System	Vehicle Manufacturer
GD185	Nippondenso	Toyota




Part Number	Ignition System	Vehicle Manufacturer
GD205	Nippondenso	Daihatsu, Toyota



Part Number	Ignition System	Vehicle Manufacturer
GD206	Nippondenso	Daihatsu, Subaru, Toyota



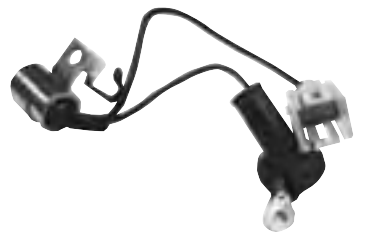
Part Number	Ignition System	Vehicle Manufacturer
GD209	Nippondenso	Chevrolet, Daihatsu, Holden, Isuzu, Mitsubishi, Subaru, Suzuki, Toyota




Part Number	Ignition System	Vehicle Manufacturer
GD552	Delco	Holden

Image not available at time of print

Part Number	Ignition System	Vehicle Manufacturer
GD652	Delco	Chevrolet




Part Number	Ignition System	Vehicle Manufacturer
GD680	Nippondenso	Toyota




Part Number	Ignition System	Vehicle Manufacturer
GD732	Ducellier	Alfa-Romeo, Renault


Ignition Condensors




Part Number	Ignition System	Vehicle Manufacturer
GD734	Ducellier	Peugeot




Part Number	Ignition System	Vehicle Manufacturer
GD745	Ducellier	Citroen




Part Number	Ignition System	Vehicle Manufacturer
GD798	Ducellier	Citroen, FIAT, Renault, Peugeot



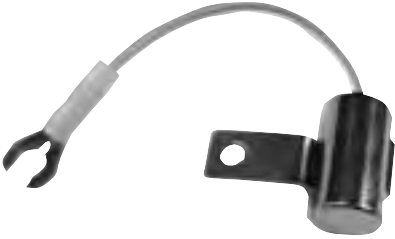
Part Number	Ignition System	Vehicle Manufacturer
GF79	Ford / Autolite	Ford




Part Number	Ignition System	Vehicle Manufacturer
GH208	Hitachi	Chevrolet, Holden, Honda, Isuzu, Nissan, Subaru




Part Number	Ignition System	Vehicle Manufacturer
GH602	Hitachi	Nissan




Part Number	Ignition System	Vehicle Manufacturer
GH603	Hitachi	Nissan




Part Number	Ignition System	Vehicle Manufacturer
GH608	Hitachi	Nissan




Part Number	Ignition System	Vehicle Manufacturer
GH634	Hitachi	Nissan




Part Number	Ignition System	Vehicle Manufacturer
GL75	Ford / Holley	Ford, International Trucks




Part Number	Ignition System	Vehicle Manufacturer
GL103	Lucas	Austin Healey, Austin, Bedford, Chrysler, Dodge, Ford, Hillman, Holden, Jaguar, Jensen, Land Rover, Leyland, Lotus, MG, Morris, Nissan, Rover, Toyota, Triumph, Wolseley




Part Number	Ignition System	Vehicle Manufacturer
GL179	Lucas	Leyland, MG, Triumph




Part Number	Ignition System	Vehicle Manufacturer
GL551	Lucas	Leyland, Triumph




Part Number	Ignition System	Vehicle Manufacturer
GM250	Mallory	Mallory Aftermarket Distributor




Part Number	Ignition System	Vehicle Manufacturer
GM400	Mitsubishi	Mazda




Part Number	Ignition System	Vehicle Manufacturer
GM402	Mitsubishi	Mazda




Part Number	Ignition System	Vehicle Manufacturer
GM405	Mitsubishi	Mazda




Part Number	Ignition System	Vehicle Manufacturer
GM406	Mitsubishi	Chrysler




Part Number	Ignition System	Vehicle Manufacturer
GM409	Mitsubishi	Chrysler, Mitsubishi




Part Number	Ignition System	Vehicle Manufacturer
GM412	Mitsubishi	Mazda




Part Number	Ignition System	Vehicle Manufacturer
GM544	Mitsubishi	Ford, Mazda



Part Number	Ignition System	Vehicle Manufacturer
GM547	Mitsubishi	Mitsubishi




Part Number	Ignition System	Vehicle Manufacturer
GM553	Mitsubishi	Mitsubishi




Part Number	Ignition System	Vehicle Manufacturer
GM556	Mitsubishi	Chrysler, Mitsubishi




Ignition Condensors




Part Number	Ignition System	Vehicle Manufacturer
GM560	Mitsubishi	Ford, Mazda




Part Number	Ignition System	Vehicle Manufacturer
GM701	Marelli	FIAT



Part Number	Ignition System	Vehicle Manufacturer
GM781	Marelli	FIAT



Part Number	Ignition System	Vehicle Manufacturer
GM786	Marelli	FIAT, Lancia



Part Number	Ignition System	Vehicle Manufacturer
GU701	Marelli	FIAT, Lada



Cross Reference



D2 | Bosch 10 Digit to Short Order No.

Bosch 10 Digit No.	Bosch Short Order No.	Bosch 10 Digit No.	Bosch Short Order No.	Bosch 10 Digit No.	Bosch Short Order No.	Bosch 10 Digit No.	Bosch Short Order No.
0 290 004 500	GB777	1 234 332 370	GB929	1 235 522 408	GB953	1 237 330 268	GB808
0 290 004 501	GB976	1 234 332 371	GB897	1 235 522 413	GB950	1 237 330 275	GB765
0 290 004 502	GB845	1 234 332 374	GB914	1 235 522 417	GB987	1 237 330 280	GB766
0 290 004 503	GB978	1 234 332 381	GB928	1 235 522 420	GB956	1 237 330 284	GB809
0 290 004 505	GB843	1 234 332 382	GB892	1 235 522 427	GB934	1 237 330 289	GB1000
1 234 332 082	GB524	1 234 332 386	GB909	1 235 522 430	GB936	1 237 330 295	GB811
1 234 332 088	GB603	1 234 332 389	GB908	1 235 522 435	GB927	1 237 330 301	GB764
1 234 332 100	GB225	1 234 332 390	GB954	1 235 522 437	GB948	1 237 330 303	GB877
1 234 332 144	GB792	1 234 332 391	GB961	1 235 522 439	GB988	1 237 330 305	GB818
1 234 332 173	GB729	1 234 332 393	GB944	1 235 522 442	GB938	1 237 330 310	GB812
1 234 332 177	GB747	1 234 332 417	GB890	1 235 522 443	GB997	1 237 330 316	GB813
1 234 332 192	GB757	1 234 332 421	GB995	1 235 522 444	GB940	1 237 330 318	GB814
1 234 332 196	GB793	1 234 332 422	GB968	1 235 522 446	GB962	1 237 330 342	GB1008
1 234 332 198	GB726	1 234 332 424	GB925	1 235 522 448	GB989	1 237 330 348	GB1001
1 234 332 199	GB875	1 234 332 427	GB935	1 235 522 454	GB998	1 987 232 048	GB538
1 234 332 200	GB951	1 235 522 027	GB514	1 235 522 457	GB973	1 987 233 012	GM823
1 234 332 202	GB778	1 235 522 031	GB996	1 237 013 000	GB6	1 987 233 022	GD900
1 234 332 203	GB779	1 235 522 053	GB731	1 237 013 007	GB504	1 987 233 044	GM819
1 234 332 204	GB780	1 235 522 056	GB739	1 237 013 026	GB185	1 987 233 106	GD902
1 234 332 205	GB608	1 235 522 058	GB72	1 237 013 027	GB543	1 987 233 121	GM807
1 234 332 206	GB737	1 235 522 059	GB633	1 237 013 044	GB534	1 987 233 122	GM809
1 234 332 215	GB782	1 235 522 060	GB876	1 237 013 057	GB549	1 987 233 123	GM815
1 234 332 216	GB795	1 235 522 061	GB635	1 237 013 060	GB751	1 987 233 124	GM845
1 234 332 217	GB967	1 235 522 074	GB775	1 237 013 061	GB720	1 987 233 129	GM821
1 234 332 223	GB949	1 235 522 193	GB799	1 237 013 078	GB721	1 987 234 001	GD901
1 234 332 224	GB965	1 235 522 194	GB796	1 237 013 081	GB752	1 987 234 009	GM824
1 234 332 225	GB855	1 235 522 196	GB819	1 237 013 083	GB769	1 987 234 021	GD908
1 234 332 238	GB846	1 235 522 210	GB797	1 237 013 099	GB771	1 987 234 027	GD903
1 234 332 240	GB984	1 235 522 218	GB836	1 237 013 108	GB979	1 987 234 033	GM808
1 234 332 242	GB837	1 235 522 219	GB920	1 237 013 113	GB802	1 987 234 055	GM844
1 234 332 271	GB868	1 235 522 222	GB977	1 237 013 119	GB784	1 987 234 058	GM826
1 234 332 273	GB838	1 235 522 223	GB839	1 237 013 122	GB803	1 987 234 060	GM822
1 234 332 275	GB969	1 235 522 224	GB970	1 237 013 128	GB773	1 987 234 062	GM846
1 234 332 276	GB972	1 235 522 227	GB886	1 237 013 139	GB770	9 231 060 603	GB863
1 234 332 279	GB861	1 235 522 229	GB943	1 237 013 140	GB772	9 231 064 300	GB536
1 234 332 280	GB844	1 235 522 232	GB207	1 237 013 141	GB774	9 231 064 301	GB73
1 234 332 285	GB939	1 235 522 235	GB501	1 237 013 151	GB992	9 231 064 306	GB827
1 234 332 288	GB917	1 235 522 290	GB798	1 237 013 307	GB1004	9 231 064 308	GB828
1 234 332 289	GB867	1 235 522 318	GB971	1 237 330 037	GB550	9 231 064 310	GB786
1 234 332 292	GB847	1 235 522 320	GB866	1 237 330 041	GB295	9 231 064 312	GB787
1 234 332 293	GB1003	1 235 522 321	GB986	1 237 330 045	GB505	9 231 064 314	GB851
1 234 332 297	GB840	1 235 522 322	GB993	1 237 330 047	GB61	9 231 064 326	GB502
1 234 332 300	GB859	1 235 522 325	GB853	1 237 330 054	GB552	9 231 064 332	GB856
1 234 332 301	GB850	1 235 522 327	GB841	1 237 330 067	GB553	9 231 064 336	GB865
1 234 332 302	GB963	1 235 522 329	GB860	1 237 330 069	GB512	9 231 064 338	GB864
1 234 332 305	GB849	1 235 522 332	GB882	1 237 330 093	GB522	9 231 064 343	GB885
1 234 332 309	GB842	1 235 522 361	GB878	1 237 330 098	GB528	9 231 064 346	GB901
1 234 332 313	GB919	1 235 522 365	GB874	1 237 330 137	GB724	9 231 065 500	GB539
1 234 332 315	GB964	1 235 522 368	GB923	1 237 330 140	GB722	9 231 065 503	GB74
1 234 332 316	GB858	1 235 522 370	GB883	1 237 330 162	GB735	9 231 065 504	GB75
1 234 332 332	GB982	1 235 522 375	GB921	1 237 330 177	GB746	9 231 065 505	GB708
1 234 332 333	GB854	1 235 522 380	GB924	1 237 330 198	GB725	9 231 065 507	GB820
1 234 332 337	GB869	1 235 522 382	GB894	1 237 330 203	GB759	9 231 065 510	GB830
1 234 332 340	GB1002	1 235 522 384	GB889	1 237 330 209	GB805	9 231 065 512	GB829
1 234 332 343	GB959	1 235 522 385	GB881	1 237 330 220	GB742	9 231 065 518	GB834
1 234 332 344	GB922	1 235 522 388	GB930	1 237 330 222	GB1009	9 231 065 527	GB852
1 234 332 346	GB905	1 235 522 392	GB891	1 237 330 232	GB754	9 231 065 529	GB862
1 234 332 347	GB884	1 235 522 395	GB907	1 237 330 236	GB761	9 231 065 534	GB871
1 234 332 349	GB895	1 235 522 396	GB931	1 237 330 240	GB981	9 231 065 546	GB926
1 234 332 350	GB899	1 235 522 400	GB945	1 237 330 244	GB999	9 231 067 302	GB503
1 234 332 359	GB994	1 235 522 401	GB918	1 237 330 246	GB756	9 231 067 321	GB701
1 234 332 364	GB898	1 235 522 405	GB915	1 237 330 247	GB807	9 231 067 323	GB706
1 234 332 366	GB912	1 235 522 406	GB960	1 237 330 250	GB822	9 231 067 325	GB530

Special cases

AG	For vehicles with automatic transmission
AGF	For vehicles with emission control
ALZ	For engine with aluminum cylinder head
APM	Interchangeable Bosch product or part for APM Auto Electric
AUE	Interchangeable Bosch product or part for Autolite
BES	Attachment with bolts
BFK	For unleaded fuel
BHK	For leaded fuel
BO	Bosch, only as replacement for Bosch equipment
CSA	Product can also be ordered online "www.automotive-tradition.com"
DEL	Interchangeable Bosch product or part for Delco-Remy
DOZ	Dual ignition, two identical spark plugs are required per cylinder
DUC	Interchangeable Bosch product or part for Ducellier
FE	Suppressed
FEM	Interchangeable Bosch product or part for Femsa
FMK	For engines with knock control
GGZ	For engine with grey cast iron cylinder head
GS	For vehicles with manual transmission
HIT	Interchangeable Bosch product or part for Hitachi
HUB	Heed the manufacturer's documentation on replacing the distributor rotor
HV	High compression
KAT	For vehicles with catalytic converter
KL	For vehicles with air conditioner
KOB	For station wagon
LAB	Left side
LUC	Interchangeable Bosch product or part for Lucas
MAR	Interchangeable Bosch product or part for Marelli
MBO	For engine with Bosch ignition distributor
MIT	Interchangeable Bosch product or part for Mitsubishi
MOT	Interchangeable Bosch product or part for Motorcraft
NAG	For vehicles without emission control
ND	Interchangeable Bosch product or part for Nippondenso
NTA	The ignition distributor rotor and holder must be jointly replaced
NV	Low compression
OE	Fitted at top
OKA	For vehicles without catalytic converter
PAR	Interchangeable Bosch product or part for Paris-Rhone
RAB	Right side
SEV	Interchangeable Bosch product or part for SEV
TSZ	For transistorized ignition system
TW	The product fitted must be identified on the vehicle or engine.
UE	Installed at bottom
WW	Optional
ZE	Two required
ZUS	Additionally required



Reliable diagnosis. Time saving repairs.
Bosch diagnostics and service parts.

Everything from one single source.
Bosch has a complete program available
which increases efficiency and quality in
your workshop's daily activities.

Service parts from the global development
expert and leading manufacturer of
automotive system technology are supplied
in renowned Bosch OE quality.

Competence and quality:
Assuring your workshop's future success.

Bosch Diagnostics			
ESI[tronic] Software	Test Equipment	Service Training	Technical Hotline



BOSCH

☎ 1 987 AP2 084/200912

Robert Bosch (Australia)
Pty Ltd
Head Office Address
1555 Centre Road
Clayton Vic. 3168

Enquiries : Australia
Phone : 1300 307 040
Fax : 1300 307 041
www.bosch.com.au
customerservice.AA@au.bosch.com

Enquiries : New Zealand
Phone : 0800 452 896
www.bosch.co.nz